

Portable Keyboard

KFRS Series



2005
New

A low-profile, lightweight keyboard featuring improved operability and loosened keys.

Features

- Key operations with superb operability in a low-profile design 5.4mm (max.) in total height and a shift stroke of 2.5mm.
- An ideal tactile key touch is achieved by synchronizing ON points and drop points.
- A superb stabilized key touch by minimization of key wobbles and rotations in big size key.
- Key coming off is reduced by improvement of key pull out force (1kgf min.).
- Lightening 80gr level is achieved by the A4 size by one piece plate structure.
- Spill resistance improved by our original rubber structure.
- Longer service-life and dignified letters and characters can be created by tampo printing.

Applications

- For notebook PCs

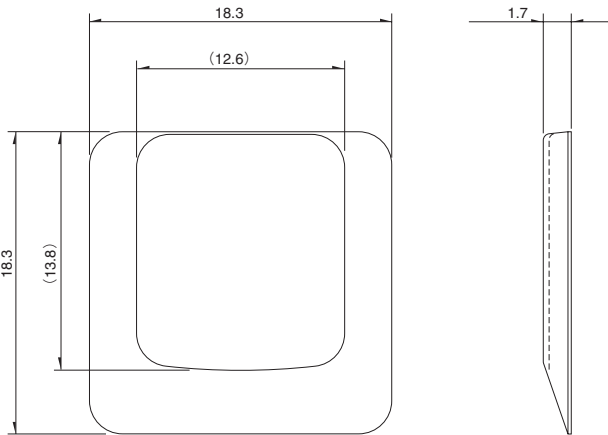
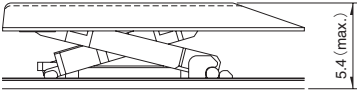
Typical Specifications

Items	Specifications
Full height	5.4mm(max.)
Travel	2.5mm(typ.) with over travel
Operation load	0.59N
Life	10 million cycles
Corresponding key pitch	18.5 to 19.05mm
Operating temperature	-10 to +50°C
Storage temperature	-20 to +60°C



Dimensions

Unit:mm

Style	Structure
	

Note

The product is a custom-made item. Specifications are for your reference only.

CAUTION

1. Unless specifically indicated otherwise, products in this catalog have been designed and manufactured for use in ordinary electronic equipment and devices, such as AV equipment, electric home appliances, office machines, and communications equipment. Equipment manufacturers are consequently advised that when these products are planned for equipment that requires a high degree of safety and reliability, especially those apparatuses like medical equipment, aviation and aircraft equipment, space equipment, and burglar alarm equipment, the manufacturers should assure equipment safety by providing protection circuits and redundant circuitry and should fully study the suitability of such products for the intended equipment.
2. Specification indicated in this catalog is outline only. When employing the product, use of an officially authorized specification for supply contract is recommended.
3. The external appearance, performances, and other properties of the product may be changed for improvement without prior notice.
4. Names for products and companies and titles of specifications indicated in this catalogue are mostly trademarks or registered trademarks of their respective owners.
5. Please contact us for any enquiries and queries on our products and their uses.
6. This catalog is valid till the end of December 2005.

ALPS ELECTRIC CO., LTD. / アルプス電気株式会社

For more information please contact : Sales or Products Information Center.
1-7, YUKIGAYA-OTSUKA-CHO, OTA-KU, TOKYO, JAPAN 145-8501 PHONE : (03) 5499 -8154 (DIRECT)

Homepage <http://www.alps.co.jp/>

お問合せ一販売担当もしくは商品情報センター

〒145-8501 東京都大田区雪谷大塚町1-7 TEL.(03) 5499 -8154 (ダイヤルイン)

