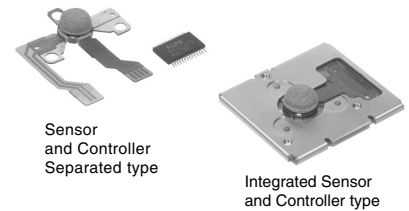


Stickpointer™ with clicking points

KGEBAB/KGEBBB Series



The dedicated controller unit ensures three-axis detection and select switch functions.

Applications

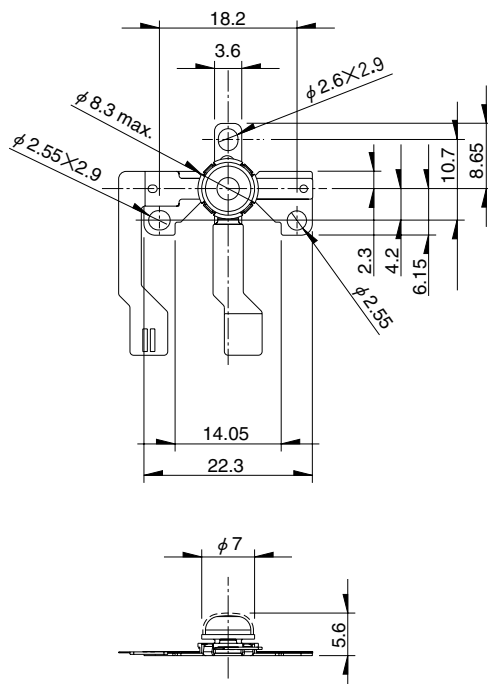
Personal Digital Assistants, portable audio equipments, notebook PCs, etc.

Typical Specifications

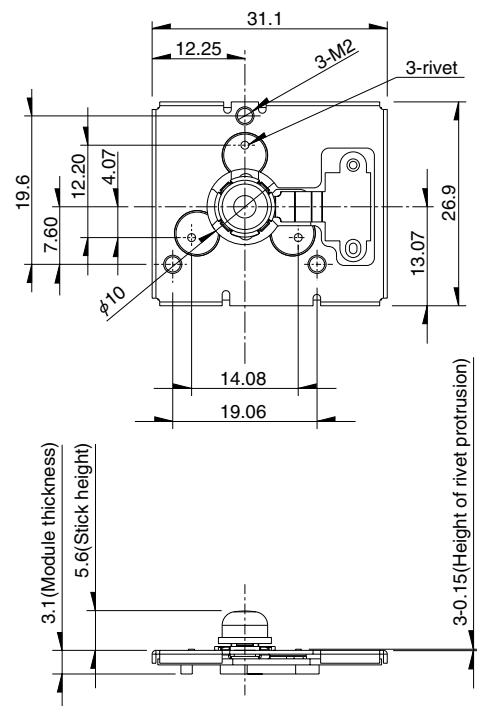
Items		Specifications	
		Sensor and Controller Separated type KGEBAB	Integrated Sensor and Controller type KGEBBB
Operating Unit (sensor unit)	Operating force	1.6±0.6N	
	Travel	0.35±0.15mm	
	Stick height	5.6mm	
	Module thickness		3.1mm
Dedicated Controller	Current consumption	5mA typ.	
	Interface	PS/2™	
	Rated voltage	5±0.5V DC	
	Package	SSOP 28pin	

Dimensions

Sensor and Controller Separated type



Integrated Sensor and Controller type



Unit:mm

Operating Precautions

1. Unless specifically indicated otherwise, this product has been designed and manufactured for use in ordinary electronic equipment and devices, such as AV equipment, electric home appliances, office machines, and communications equipment. Equipment manufacturers are consequently advised that when these products are planned for equipment that requires a high degree of safety and reliability, especially those apparatuses like medical equipment, aviation and aircraft equipment, space equipment, and burglar alarm equipment, the manufacturers should assure equipment safety by providing protection circuits and redundant circuitry and should fully study the suitability of such products for the intended equipment.
2. Specification indicated in this catalog is outline only. When employing the product, use of an officially authorized specification for supply contract is recommended.
3. The external appearance, performances, and other properties of the product may be changed for improvement without prior notice.
4. PS/2 is a trademark of International Business Machines Corporation.
5. Stickpointer is a trademark of Alps Electric Co., Ltd.
6. Names for products and companies and titles of specifications indicated in this catalogue are mostly trademarks or registered trademarks of their respective owners.
7. Please contact us for any enquiries and queries on our products and their uses.
8. This catalog is valid till the end of December 2005.

Inquiries about Products

Products Information Center +81 (3) 5499-8154
Products Catalog Site <http://www3.alps.co.jp>

ALPS
ALPS ELECTRIC CO., LTD.
1-7, Yukigaya-otsuka-cho, Ota-ku, Tokyo, 145-8501