

# 40mm Size Hollow Shaft Encoder

EC40A Series



Smaller mounting area (inside diameter= $\phi 25\text{mm}$ ) contributes to the higher freedom of set design.

## Applications

For temperature/airflow control and switching modes for air conditioners in automobiles.

Controllers for car audio equipment, etc.

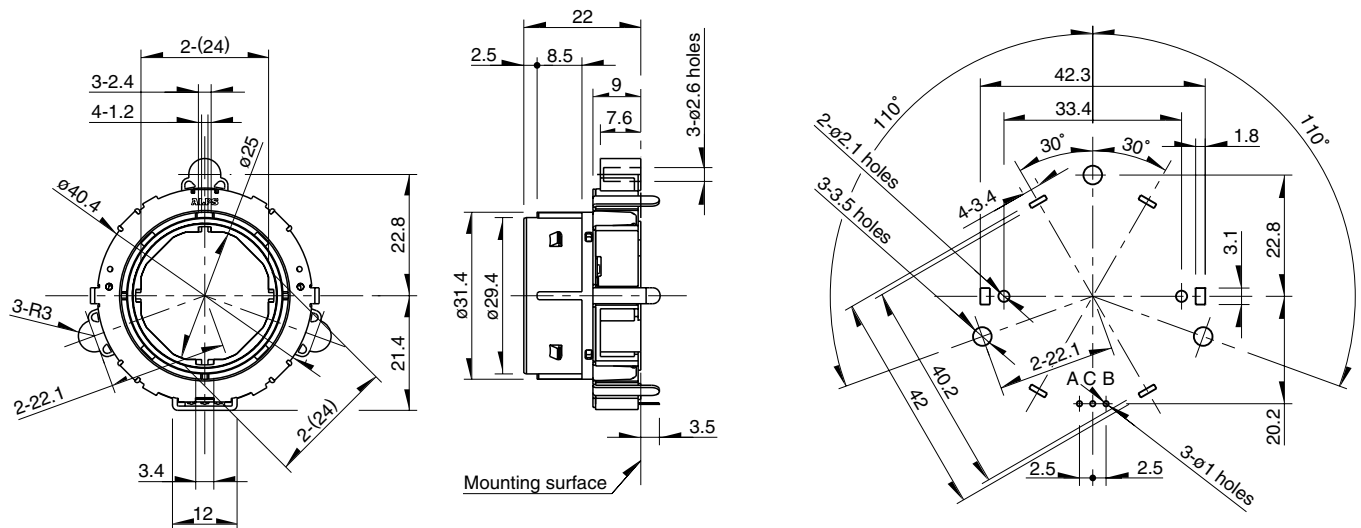
## Typical Specifications

Items	Specifications
Type	Incremental type
Resolution	15pulse
Number of detent	30
Angle of rotation	endless
Detent torque	$20 \pm 11 \text{mN}\cdot\text{m}$
Rating(max.) (Resistive load)	0.5mA 5V DC
Operating temperature range	$-30^\circ\text{C}$ to $+80^\circ\text{C}$
Operating life without load	30,000cycles

## Dimensions

Unit:mm

PC-board mounting hole dimensions  
(viewed from switch mounting face)



## Operating Precautions

1. Unless specifically indicated otherwise, this product has been designed and manufactured for use in ordinary electronic equipment and devices, such as AV equipment, electric home appliances, office machines, and communications equipment. Equipment manufacturers are consequently advised that when these products are planned for equipment that requires a high degree of safety and reliability, especially those apparatuses like medical equipment, aviation and aircraft equipment, space equipment, and burglar alarm equipment, the manufacturers should assure equipment safety by providing protection circuits and redundant circuitry and should fully study the suitability of such products for the intended equipment.
2. Specification indicated in this catalog is outline only. When employing the product, use of an officially authorized specification for supply contract is recommended.
3. The external appearance, performances, and other properties of the product may be changed for improvement without prior notice.
4. Names for products and companies and titles of specifications indicated in this catalogue are mostly trademarks or registered trademarks of their respective owners.
5. Please contact us for any enquiries and queries on our products and their uses.
6. This catalog is valid till the end of December 2005.

## Inquiries about Products

Products Information Center +81 (3) 5499-8154  
Products Catalog Site <http://www3.alps.co.jp>

**ALPS**<sup>®</sup>  
**ALPS ELECTRIC CO., LTD.**  
1-7, Yukigaya-otsuka-cho, Ota-ku, Tokyo, 145-8501