

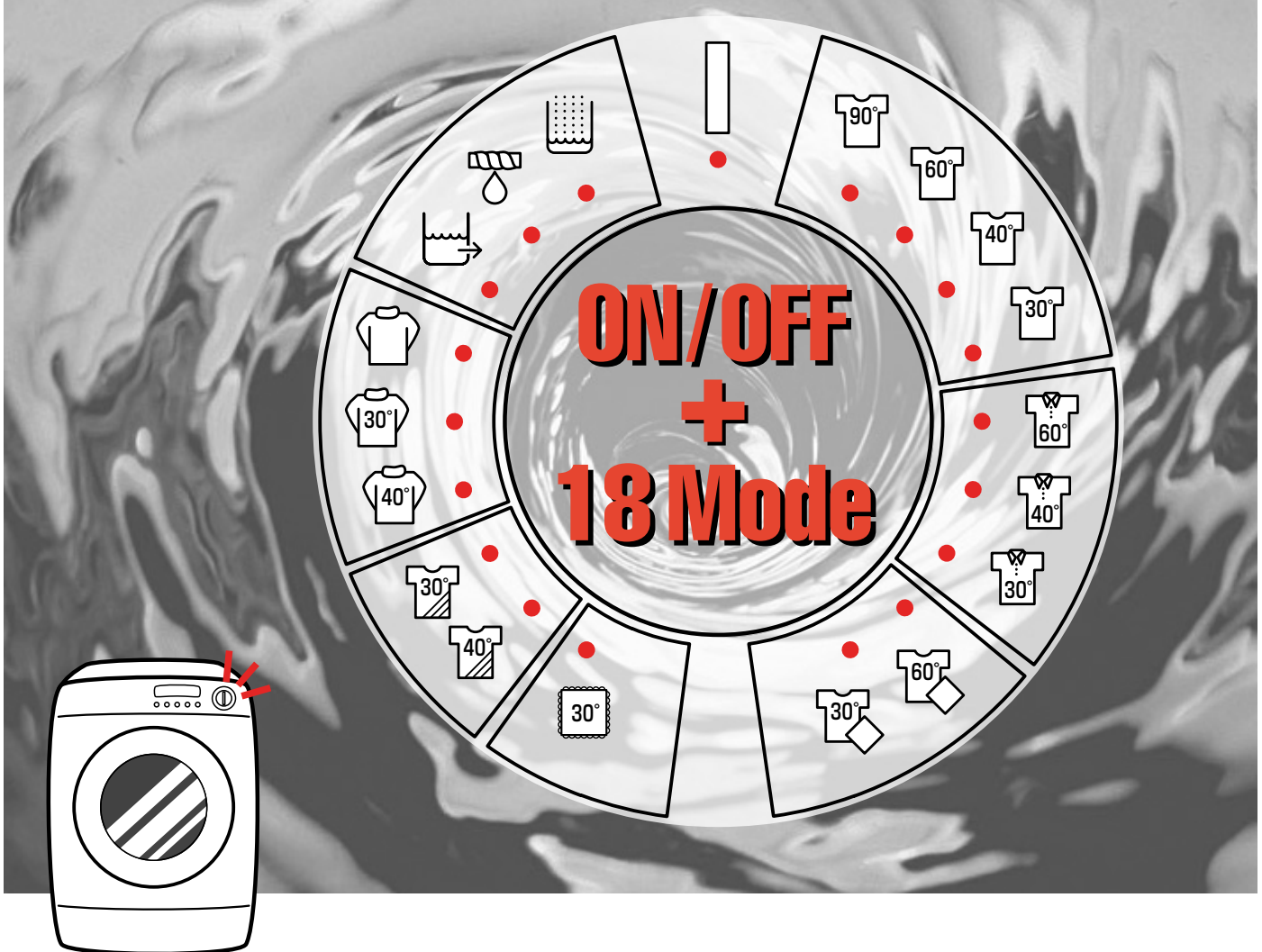
Rotary-Type Power Supply Switch with Signal Circuitry Developed

SDKU Series

ALPS®

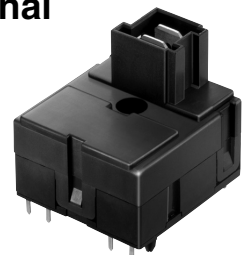
New
2006

Experience the ease of operating with a single switch.



2-in-1 switch (power & mode selection) with a sense of operational touch that has been realized through reputed highly reliable contact technology and insert moulding technology.

- Excellent operating feel.
- Integrated a 5 bit absolute encoder with the power switch.
- Adopted contacts with no cadmium.



Proposing a new function and operation application for home use.

Rotary-Type Power Supply Switch with Signal Circuitry Developed

SDKU Series



2-in-1 switch (power & mode selection) with a high-quality sense of operational touch.

Applications

Main power supply + mode selection of washing machine and dryer.

Typical Specifications

Power Switch

Items	Specifications
ENEC(Europe union safety standard)	16 (6) A 250V AC
Ratings satisfying local electrical appliance & material safety law	125V 16A \neq
Operating life(At the tated load)	10,000 cycles (16 (6) A 250V AC)

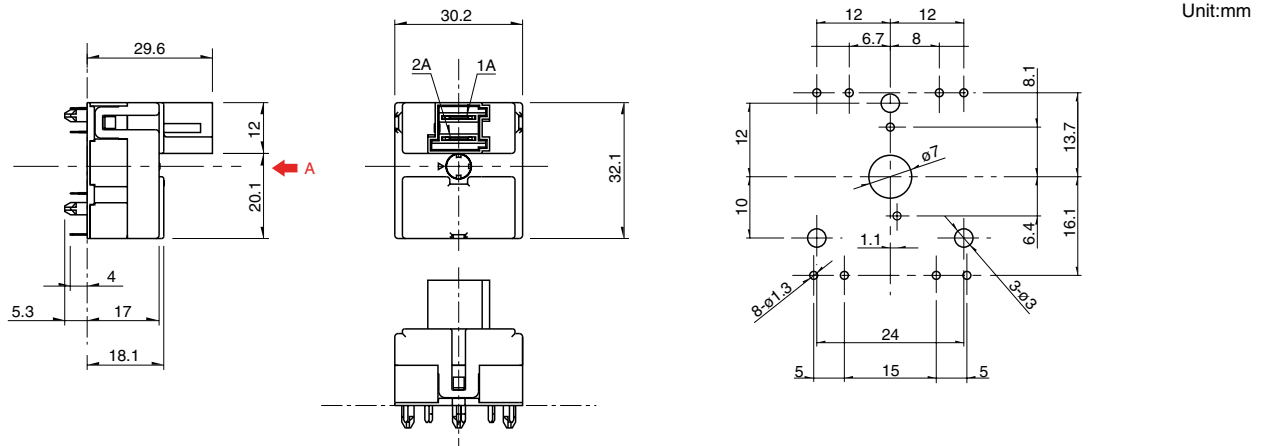
Signal Circuit

Items	Specifications	
Rating (max.) (Resistive load)	0.1A 12V DC	
Contact resistance (Initial performance/After lifetime)	1 Ω max./1 Ω max.	
Operating life	Without load	30,000 cycles
	With load	30,000 cycles (0.1A 12V DC)

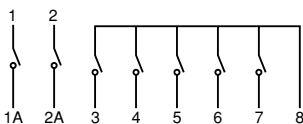
Products List

Circuit arrangement	Torque		Operating direction	Posistions	Step angle	Mounting method	Terminal style	Products No.
	From "OFF" position to "ON" position	Other positions						
DPST	14 \pm 2Ncm	8 \pm 2Ncm	Vertical	19	15°	Snap-in	For PC board	SDKU130100

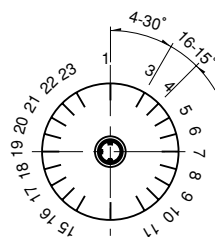
Dimensions



Circuit Diagram(power switch)



Standard Codes



Code	Terminal	Number of positions																									
		Position	1	2	3	4	5	6	7	8	9	10	11	12	13	14	15	16	17	18	19	20	21	22	23	24	
Power	1-2																										
	3																										
	4																										
	5																										
Gray	6																										
	7																										

○The marks shows the ON position.

Cautions for Use

1. Specification indicated in this catalog is outline only. When employing the product, use of an officially authorized specification for supply contract is recommended.
2. Unless specifically indicated otherwise, products in this catalog have been designed and manufactured for use in ordinary electronic equipment and devices, such as AV equipment, electric home appliances, office machines, and communications equipment. Equipment manufacturers are consequently advised that when these products are planned for equipment that requires a high degree of safety and reliability, especially those apparatuses like medical equipment, aviation and aircraft equipment, space equipment, and burglar alarm equipment, the manufacturers should assure equipment safety by providing protection circuits and redundant circuitry and should fully study the suitability of such products for the intended equipment.
3. The external appearance, performances, and other properties of the product may be changed for improvement without prior notice. The product introduced in this catalog may discontinue being produced without prior notice.
4. All product names, company names and names of standards described in this catalog are trademarks or registered trademarks of their respective owners.
5. Please contact us for any enquiries and queries on our products and their uses.
6. This catalog is valid till the end of December 2006.

Inquiries about Products

Products Information Center +81 (3) 5499-8154
Products Catalog Site <http://www3.alps.co.jp>

ALPS
ALPS ELECTRIC CO., LTD.
1-7, Yukigaya-otsuka-cho, Ota-ku, Tokyo, 145-8501