

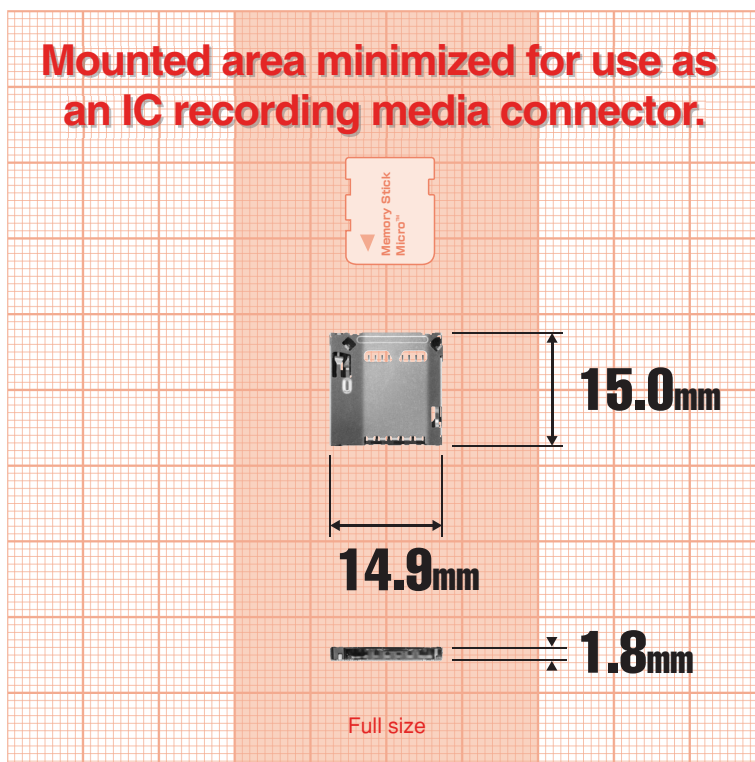
Connector for Memory Stick Micro™

SCNA Series

ALPS®

New
2006

Small and easy to use.



Small yet easy to use.

Built-in capacity for sets reduced to contribute to increased flexibility in set designing.

- World's smallest (volume ratio) IC recording media connector in its class.
- Realized minimum mounted area without affecting the smallness of Memory Stick Micro™.
- Equipped with function to prevent accidental ejection of a card.
- Push-push type for excellent operability.
- Card eject stroke of 4mm.



Proposal on the highest density for compatibility with the smallness of media for mobile phones.

Connector for Memory Stick Micro™



SCNA Series

Compact size, low-profile and high reliability design made possible through the use of precise micro-press technology, high-precision fabrication technology and simulation technology.

Applications

Mobile phones, Personal Digital Assistants, digital cameras, compact audiovisual devices, etc.

Typical Specifications

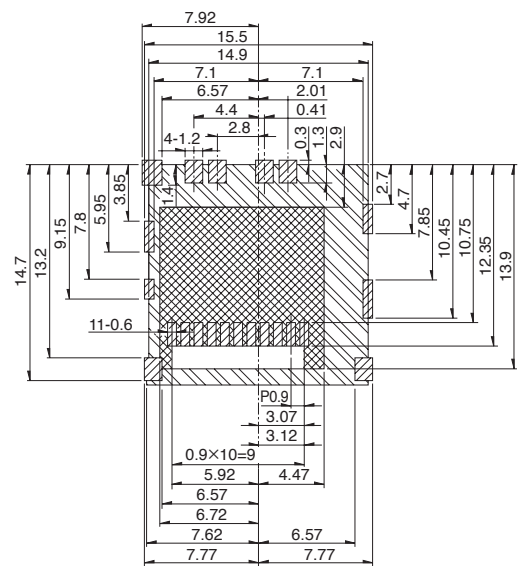
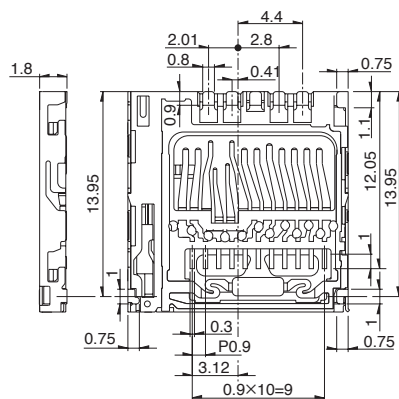
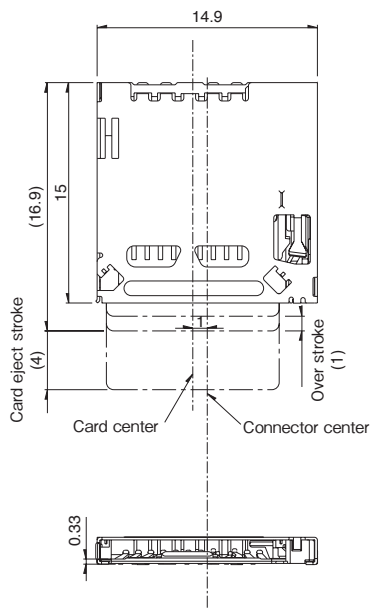
Structure	Specifications
Applicable media	Memory Stick Micro™
Dimensions (D×W×H)	15.0×14.9×1.8mm
Mounting method	Surface mounting type
Mounting system	Standard mount
Media ejection structure	Push-push type

Performance	Specifications
Operating temperature range	-25°C to +60°C
Voltage proof	250V AC 1 minute
Insulation resistance (Initial)	1,000M Ω min.
Contact resistance (Initial)	40m Ω max.
Mating and unmating cycles	12,000 cycles

Dimensions

PC board mounting hole dimensions
(Viewing from a mounting side)

Unit:mm



Land area
 No Pattern area
 Ground pattern possible area
 No parts area

Cautions for Use

1. Specification indicated in this catalog is outline only. When employing the product, use of an officially authorized specification for supply contract is recommended.
2. Unless specifically indicated otherwise, products in this catalog have been designed and manufactured for use in ordinary electronic equipment and devices, such as AV equipment, electric home appliances, office machines, and communications equipment. Equipment manufacturers are consequently advised that when these products are planned for equipment that requires a high degree of safety and reliability, especially those apparatuses like medical equipment, aviation and aircraft equipment, space equipment, and burglar alarm equipment, the manufacturers should assure equipment safety by providing protection circuits and redundant circuitry and should fully study the suitability of such products for the intended equipment.
3. The external appearance, performances, and other properties of the product may be changed for improvement without prior notice. The product introduced in this catalog may discontinue being produced without prior notice.
4. Memory Stick Micro is a trademark of Sony Corporation.
5. All product names, company names and names of standards described in this catalog are trademarks or registered trademarks of their respective owners.
6. Please contact us for any enquiries and queries on our products and their uses.
7. This catalog is valid till the end of December 2006.

Inquiries about Products

Products Information Center +81 (3) 5499-8154
Products Catalog Site <http://www3.alps.co.jp>

ALPS®

ALPS ELECTRIC CO., LTD.
1-7, Yukigaya-otsuka-cho, Ota-ku, Tokyo, 145-8501