

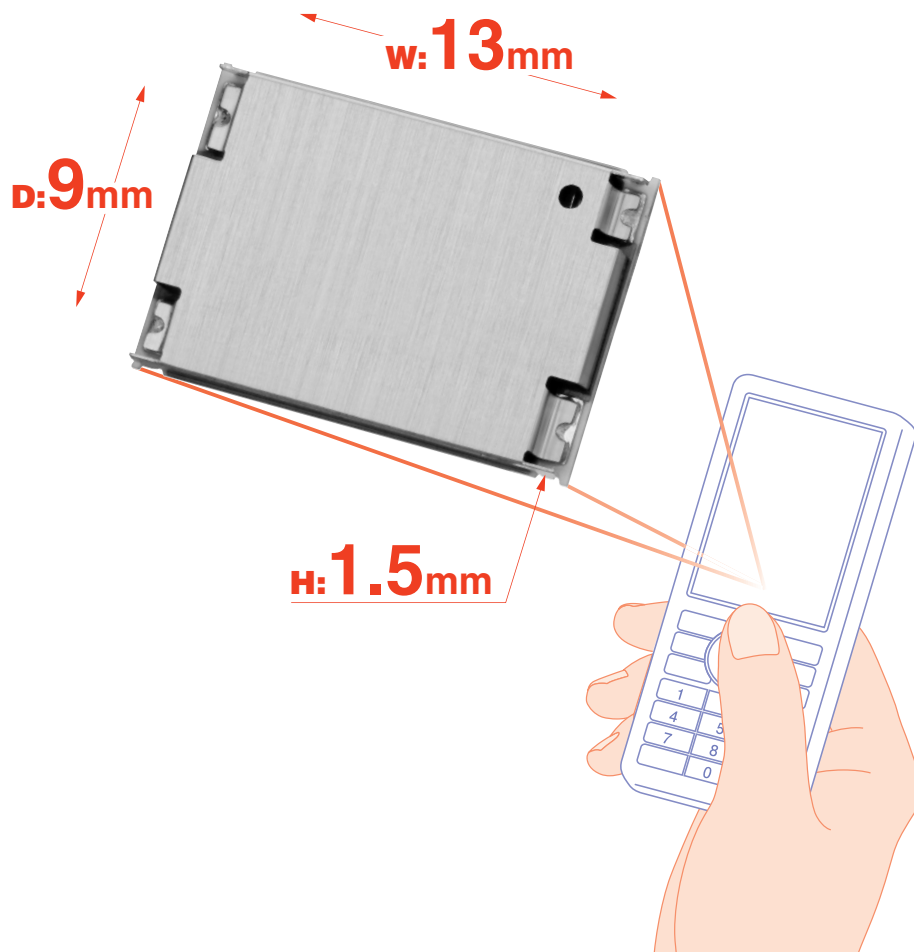
China's 3G, RF Module for TD-SCDMA

ALPS[®]

**New
2008**

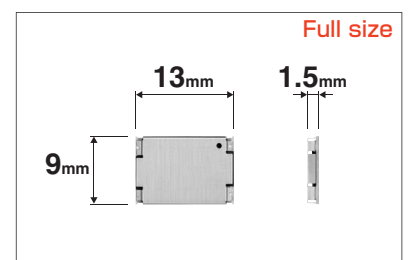
UMLC1-111B

A world's first! Small-sized **0.18ml**
module propels 3G in China.



Variations limited and stable performance achieved by utilizing simulation technology and matching IC optimization.

- Compatible with 3GPP TS25.102 Power Class 2 (+24dBm).
- Realizes industry's smallest size of 13.0×9.0×1.5mm (W×D×H).
- Stable high output and low-noise design for exceptional linearity.
- Shield configuration with adoption of metal cover.
- For RoHS and lead-free soldering.



China's 3G, RF Module for TD-SCDMA

UMLC1-111B



Variations limited and stable performance achieved by utilizing simulation technology and matching IC optimization.

Applications

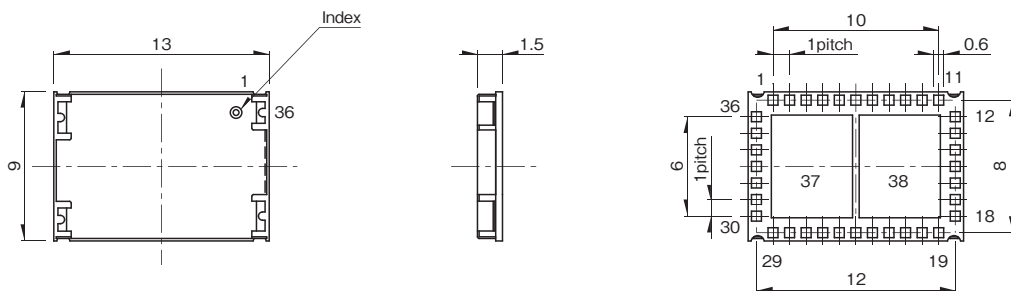
Mobile phones, smart phones, data cards, etc.

Typical Specifications

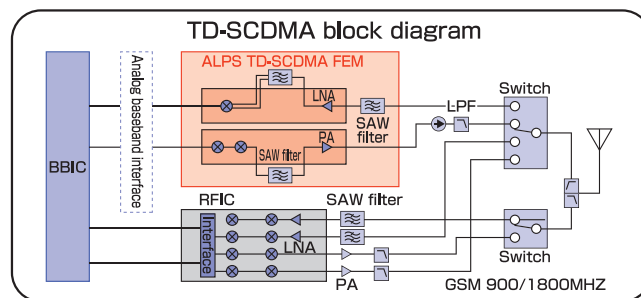
Items	min.	typ.	max.
Operating temperature	-30°C	—	+85°C
Frequency	2010MHz min.	—	2025MHz max.
Supply voltage PA	3.2V	3.5V	4.2V
Supply voltage RF	2.75V	2.85V	2.95V
Transmission output	26.5dBm/BW	—	—
Power leaked to adjacent channel (ACLR 1.6MHz offset)	—	-38dBc	-34dBc
Reception output NF	—	4.7dB	—
Dimensions (W×D×H)	13.0×9×1.5mm		

Dimensions

Unit:mm



Example of circuit configuration



※The contents of this catalog are according to Alps Electric as of August 2008.

Cautions for Use

1. The specifications herein are an overview of the specifications. Obtain official specifications before use.
2. Unless specifically indicated otherwise, products herein have been designed and manufactured for use in ordinary electronic equipment, such as AV equipment, electric home appliances, office machines and communication equipment. In case of using the products for highly sensitive applications such as medical, aviation, aerospace and security, the set makers shall require to include measures necessary to meet product safety requirements of such specific applications. Such measure may include additional protection circuits and redundant circuits, for example.
3. The external appearance, performances, and other properties of the product are subject to change for improvement without prior notice. The product introduced in this catalog may be discontinued without prior notice.
4. All product names, company names and names of standards described in this catalog are trademarks or registered trademarks of their respective owners.
5. Contact us for any enquiries and queries on our products and their uses.
6. This catalog is valid till the end of December 2008.

Inquiries about Products

Products Information Center +81 (3) 5499-8154
Product information site <http://www3.alps.com/e/>

ALPS[®]
ALPS ELECTRIC CO., LTD.
1-7, Yukigaya-otsukamachi, Ota-ku, Tokyo, 145-8501, Japan