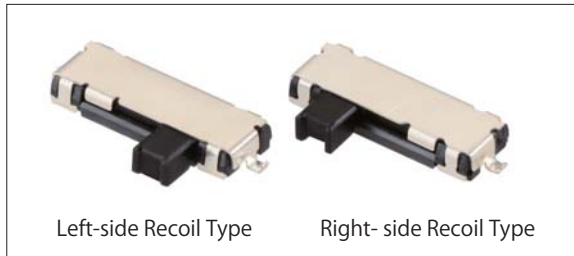


# Single-side Recoil Type Slide Switch



SSAL Series

**Compact type with body height of 1.2mm enables single-side recoil travel 2mm.**



### Features

- Compact size of 7.6 x 2.6 x 1.2mm(WxDxH).
- Achieved long operating life by limitation in single-side recoil operation.
- Left-side recoil type and right-side recoil type are also available.
- Available for reflow soldering.

### Applications

- Power switch or key lock operation switch for mobile phones, digital still cameras, portable music players, notebook PCs, etc.

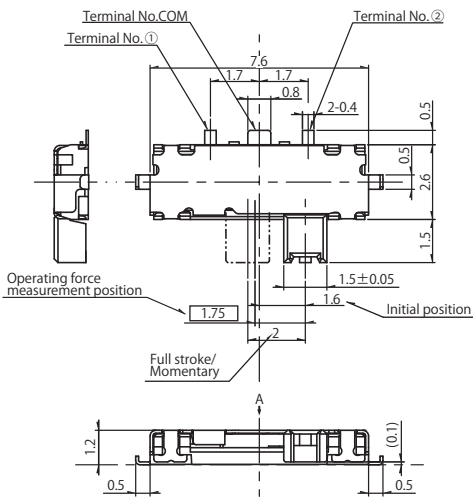
### Typical Specifications

Items	Specifications
Rating max./ min. (Resistive load)	10mA 5V DC / 50 $\mu$ A 3V DC
Contact resistance (Initial/ after life)	10 $\Omega$ max. / 10 $\Omega$ max.
Operating force	1N (1.75mm position)
Operating life	100,000cycles
Travel	2mm

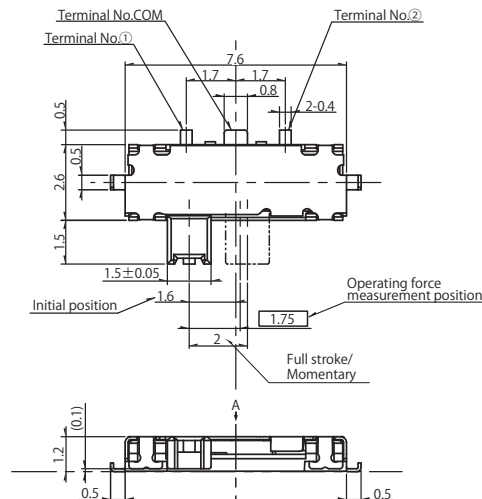
### Dimensions

Unit:mm

#### Left-side Recoil Type

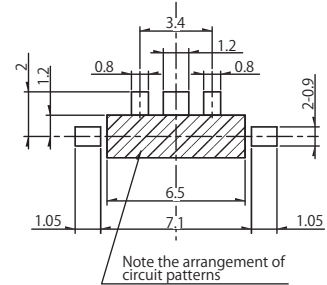


#### Right-side Recoil Type



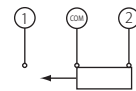
### PC Board Mounting Hole Dimensions

Unit:mm

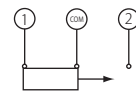


### Circuit Diagram

#### Left-side Recoil Type



#### Right-side Recoil Type



### Precautions when handling our products

- For the export of products which are controlled items subject to foreign and domestic export laws and regulations, you must obtain approval and/or follow the formalities of such laws and regulations.
- Products must not be used for military and/or antisocial purposes such as terrorism, and shall not be supplied to any party intending to use the products for such purposes.
- Unless provided otherwise, the products have been designed and manufactured for application in equipment and devices which are sold to end-users in the market, such as AV (audio visual) equipment, home electronic equipment, office and commercial electronic equipment, information and communication equipment or amusement equipment. The products are not intended for use in, and must not be used for, any application of nuclear equipment, driving control equipment for aerospace or any other unauthorized use. With the exception of the above mentioned banned applications, for applications involving high levels of safety and liability such as medical equipment, burglar alarm equipment, disaster prevention equipment and undersea equipment, please contact an Alps sales representative and/or evaluate the total system on the applicability. Also, implement a fail-safe design, protection circuit, redundant circuit, malfunction protection and/or fire protection into the complete system for safety and reliability of the total system.
- Before using products which were not specifically designed for use in automotive applications, please contact an Alps sales representative.

### Cautions for using this catalog

- The specifications herein are an overview of the specifications. Obtain official specifications before use.
- The colors of the products in the catalog may slightly differ from those of the actual products.
- The external appearance, functions and other specifications herein may be changed for improvement and other reasons without prior notice. Furthermore, the products herein may discontinue without prior notice.
- All product names, company names and names of standards described in this catalog are trademarks or registered trademarks of their respective owners.
- The contents of this catalog are according to Alps Electric as of December 2010.
- This catalog is valid until the end of December 2011.

### Inquiries about this product

Products Information Center  
+81 (3) 5499-8154  
Products Information Site  
<http://www.alps.com/products/e/>

**ALPS ELECTRIC CO., LTD.**  
1-7, Yukigaya-otsukamachi, Ota-ku, Tokyo, 145-8501, Japan