

15 Watt Inter-changeable Base Wall Plug-In, Switch Mode



INPUT

INPUT VOLTAGE: 90 TO 264 VAC
 INPUT FREQUENCY: 47 TO 63Hz
 INPUT CURRENT: 0.5A MAX
 INRUSH CURRENT: 60A MAX
 SAFETY GROUND LEAKAGE CURRENT: 0.25mA MAX

OUTPUT

OVER VOLTAGE PROTECTION: AUTO RECOVERY
 OVER CURRENT PROTECTION: PROTECTED TO SHORT CIRCUIT CONDITIONS, AUTO RECOVERY
 TEMPERATURE COEFFICIENT: $\pm 0.04\%$ / °C MAXIMUM

ENVIRONMENTAL

OPERATING TEMPERATURE: 0°C TO 40°C
 STORAGE TEMPERATURE: -20°C TO +85°C
 RELATIVE HUMIDITY: 5% TO 95% NON-CONDENSING

GENERAL

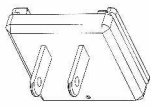
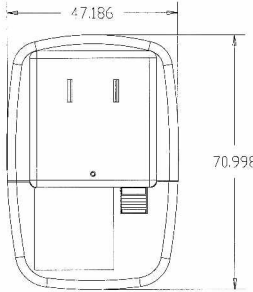
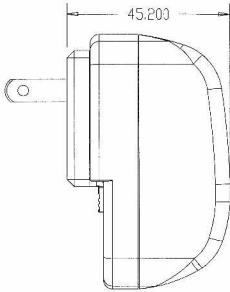
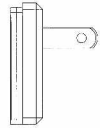
EFFICIENCY: 75% TYPICAL AT FULL LOAD
 HOLD-UP TIME: 8.3mS MINIMUM
 TURN-ON TIME: 3s MAX
 LINE REGULATION: $\pm 1.0\%$ MAXIMUM
 LOAD REGULATION $\pm 5.0\%$ MAXIMUM
 MEAN TIME BETWEEN FAILURE: 50,000 HOURS MINIMUM
 EMI REQUIREMENTS: MEETS CONDUCTION LIMITS OF (A) FCC PART 15J CLASS B (B) CISPR-22 CLASS B
 SAFETY STANDARDS: MEETS OR EXCEEDS REQUIREMENTS OF (A) UL 60950 (B) CUL 22.2 NO. 950 (C) TUV EN60950
 (D) EN61000-4-2,-3,-4,-5,-6,-8,-11
 SAFETY APPROVALS: UL/ C-UL/ TUV/ GS/ CE/ CB

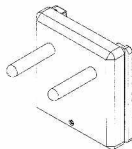
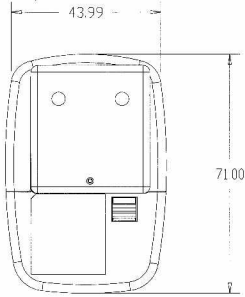
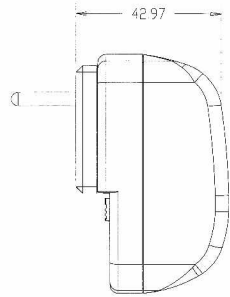
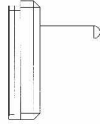
MODEL NUMBER*	OUTPUT VOLTAGE†	MAX CURRENT	RIPPLE & NOISE	NOTES:
IB15X03:	3.3 VDC	3.03 A	50mV, P-P	* REPLACE "X" WITH DESIRED BASE: U = US PLUG E = EURO PLUG B = BRITISH PLUG A = AUSTRALIAN PLUG K = KIT WITH US BASE AND OTHER 3 PLUGS PLUGS CAN ALSO BE PURCHASED INDIVIDUALLY (SEE PAGE 2 FOR DETAILS) † OUTPUT VOLTAGES BETWEEN STATED VALUES ARE ALSO AVAILABLE.
IB15X05:	5 VDC	2.00 A	100mV, P-P	
IB15X06:	6 VDC	2.00 A	100mV, P-P	
IB15X07:	7.5 VDC	1.60 A	100mV, P-P	
IB15X09:	9 VDC	1.33 A	100mV, P-P	
IB15X12:	12 VDC	1.25 A	150mV, P-P	
IB15X15:	15 VDC	1.00 A	150mV, P-P	
IB15X18:	18 VDC	0.83 A	200mV, P-P	
IB15X24:	24 VDC	0.62 A	200mV, P-P	

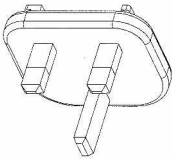
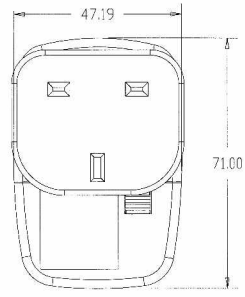
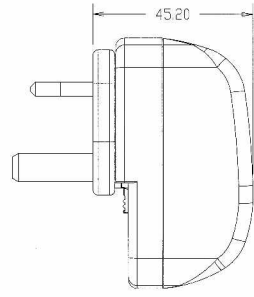
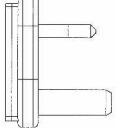
15 Watt Inter-Changeable Base Wall Plug-In, Switch Mode


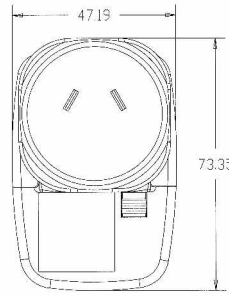
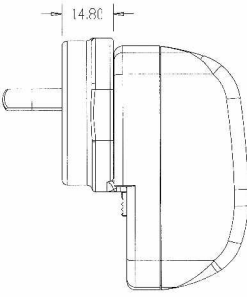
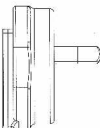


NOTES: OUTPUT CONNECTOR TO BE SPECIFIED

U	US Plug			
				
		<i>Part No. IBU</i> →		

E	European Plug			
				
		<i>Part No. IBE</i> →		

B	British Plug			
				
		<i>Part No. IBB</i> →		

A	Australian Plug			
				
		<i>Part No. IBA</i> →		