



Features:

- Universal Input 100 – 240 VAC
- 5 VDC to 24 VDC
- Interchangeable Bases: U.S., Euro, U.K. & A.U.
- High Efficiency, Compact Design
- Over-Current Protection
- Over-Voltage Protection
- Short Circuit Protection
- CEC Efficiency Level: V



Input

Input Voltage	90 to 264 VAC
Input Frequency	47 to 63Hz
Input Current	1.0A Max.
Inrush Current	60A Max.
Safety Ground Leakage Current	0.25mA Max.

Output

Output Voltage & Current	<i>See Chart</i>
Ripple & Noise (P-P)	<i>See Chart</i>
Over-Voltage Protection	Auto Recovery
Over-Current Protection	Protected to Short Circuit Conditions, Auto Start
Temperature Coefficient	±0.04% / °C Max.

Environmental

Operating Temperature	0°C to 40°C
Storage Temperature	-20°C to 85°C
Relative Humidity	5% to 95% Non-Condensing

Electrical

Efficiency	83.5% Typ. at Full Load
No Load Power Consumption	≤0.3 Watts
Hold-Up Time	5mS Minimum
Turn-On Time	3s Max.
Line Regulation	±1% Maximum
Load Regulation	±5% Maximum
Mean Time Between Failure (MTBF)	100,000 Hours Minimum

Safety

EMI Requirements	Meets Conduction Limits of: (A) FCC Part-15 Class B (B) CISPR-22 Class B
Safety Standards	Meets or Exceeds: (A) UL (B) C-UL (C) TUV (D) CE (E) CB (F) CCC (G) FCC (H) Efficiency Level V Compliant

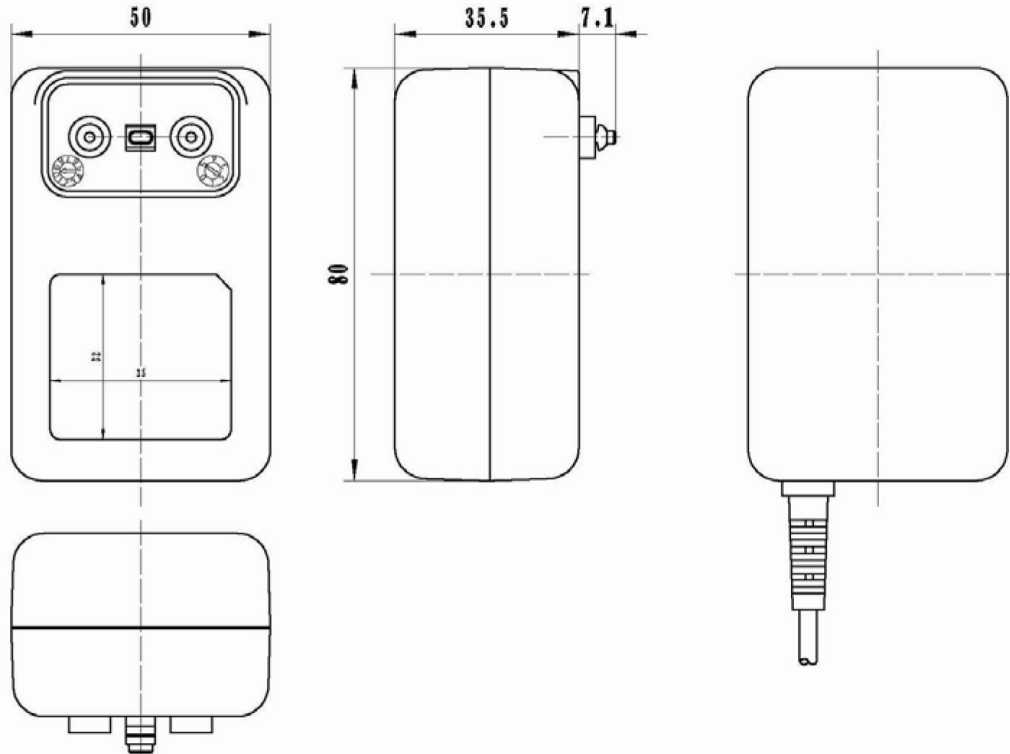
Output Voltage and Current Chart

Model Number *	Output Voltage	Max Current	Notes
IB30TY05R	5 VDC	2.50 A	* Replace "Y" w ith Desired Base Plug: U = US Plug E = Euro Plug B = British Plug K = Kit w ith US Base and Other 3 Plugs. Plugs can also be purchased individually (See Below) Output Voltages Betw een Stated Values Also Available
IB30TY09R	9 VDC	2.50 A	
IB30TY12R	12 VDC	2.50 A	
IB30TY15R	15 VDC	2.00 A	
IB30TY18R	18 VDC	1.67 A	
IB30TY24R	24 VDC	1.25 A	

Note:

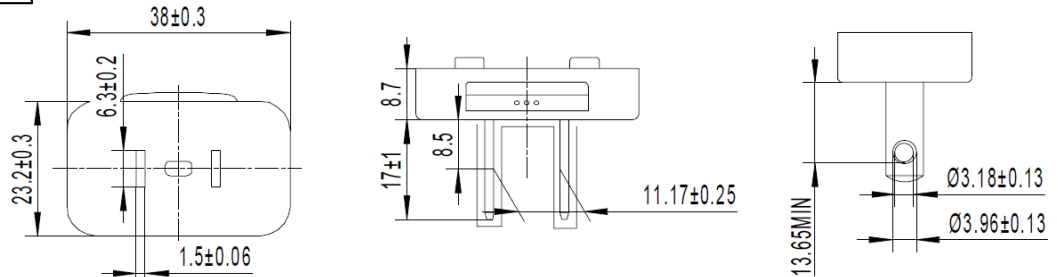
Output connector to be specified

Standard Connector is a 6 ft. cable with 2.5 x 5.5 x 11mm Female Barrel Plug, Center Positive (+)



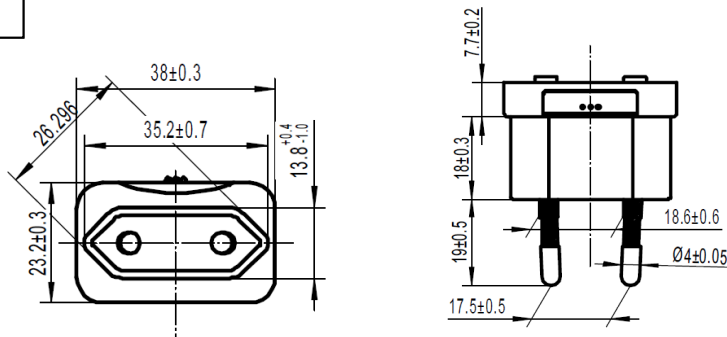
U	US Plug
----------	---------

Part No. IB30XUR



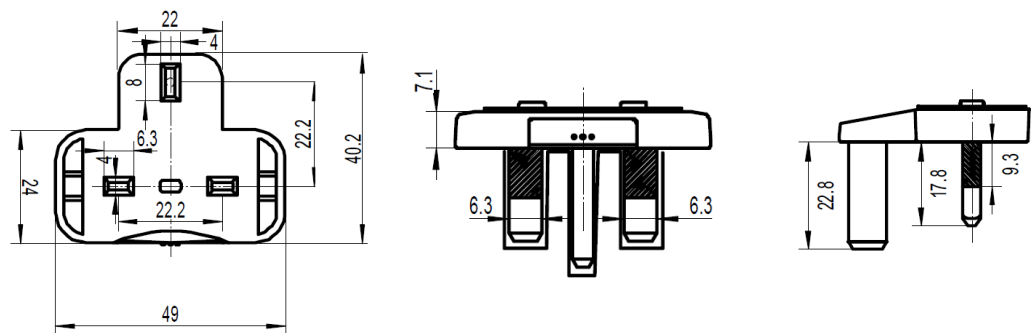
E	European Plug
----------	---------------

Part No. IB30XER



B	British Plug
----------	--------------

Part No. IB30XBR



A	Australian Plug
----------	-----------------

Part No. IB30XAR

