

## SPECIFICATIONS

Electrical Ratings	50mA @ 48VDC
Electrical Life	100,000 cycles typical
Contact Resistance	< 50 mΩ initial
Actuation Force	160 +/- 50gF
Actuator Travel	.25 +/- .1mm
Dielectric Strength	1000Vrms min
Insulation Resistance	> 100MΩ min
Operating Temperature	-40°C to 85°C
Storage Temperature	-40°C to 85°C



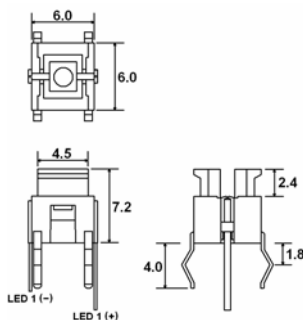
## MATERIALS ←RoHS COMPLIANT

Actuator	6/6 Nylon
Housing	6/6 Nylon
Cover	PC
Contacts	Stainless Steel, Silver Plated
Terminals	Brass, Silver Plated

## ORDERING INFORMATION

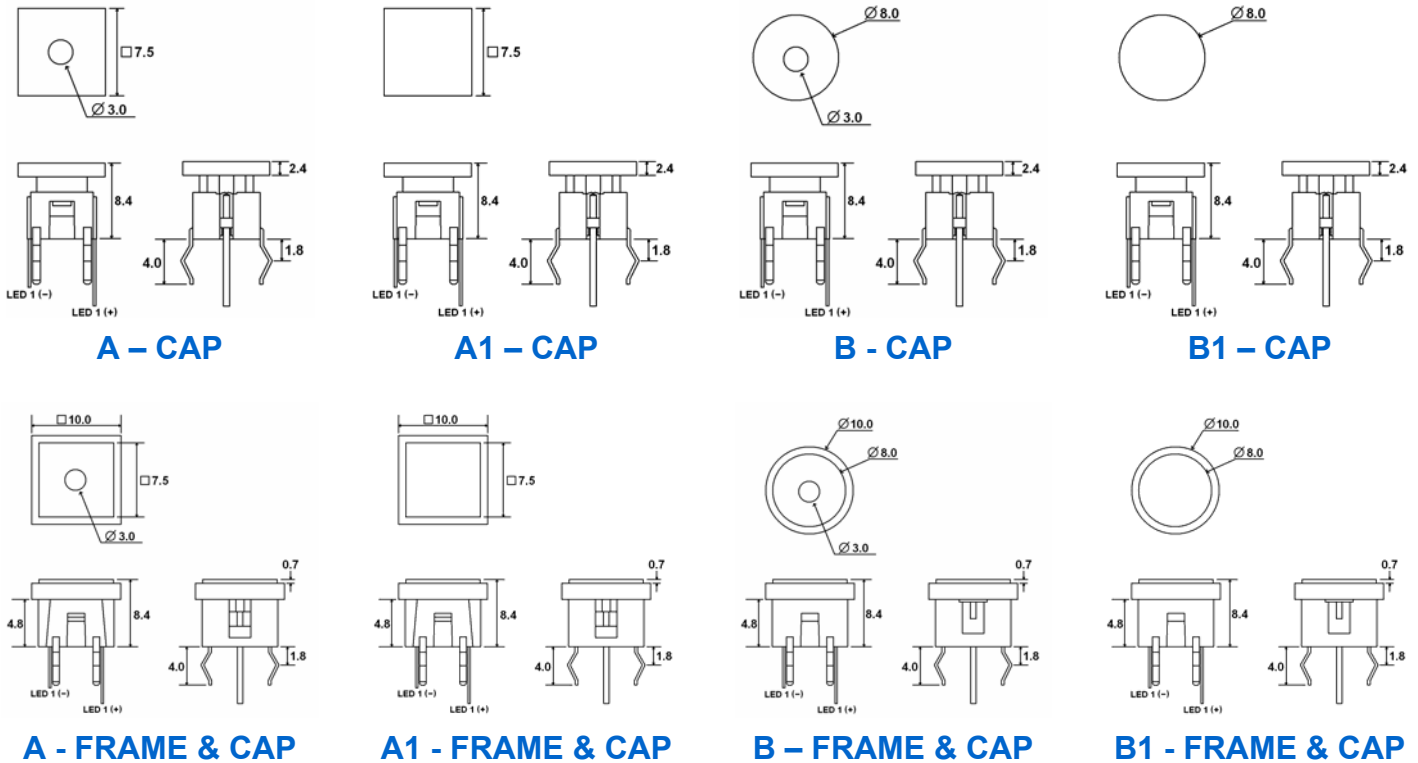
<b>1. Series:</b> CL1200 <b>2. Cap Style:</b> Blank = No Cap A = Square Cap A1 = Square Cap without LED hole B = Round Cap B1 = Round Cap without LED hole <b>3. Frame Color:</b> C = No Frame 2 = Black 9 = Gray <b>4. Cap Color:</b> Blank = No Cap 2 = Black 3 = Red 4 = Yellow 5 = Green 9 = Gray <b>5. First LED Color:</b> N = No LED R = Red G = Green Y = Yellow B = Blue **Not Available in Bi-color RS = Super Bright Red GS = Super Bright Green YS = Super Bright Yellow BS = Super Bright Blue	<b>6. Second LED Color: **For Bi-color LED Option</b> Blank = No Second LED R = Red G = Green Y = Yellow B = Blue
-------------------------------------------------------------------------------------------------------------------------------------------------------------------------------------------------------------------------------------------------------------------------------------------------------------------------------------------------------------------------------------------------------------------------------------------------------------------------------------------------------------------------------------------------------------------------------------------------	----------------------------------------------------------------------------------------------------------------------------------

## DIMENSIONS

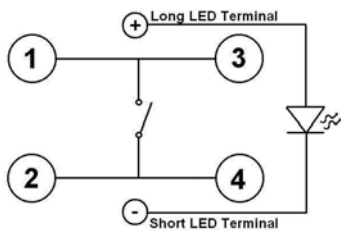


## WITHOUT FRAME & CAP

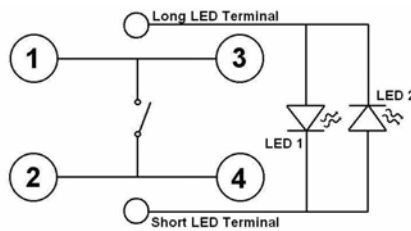
## DIMENSIONS



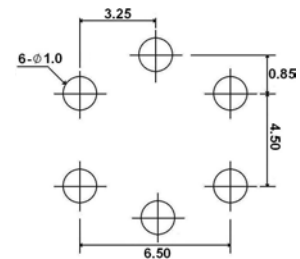
## SCHEMATIC & PC LAYOUT



**SINGLE COLORED LED**



**BI-COLORED LED**



## LED SPECIFICATIONS

LED Ratings		Value								Units
		R	G	Y	B	RS	GS	YS	BS	
Reverse Voltage	$V_R$	5	5	5	5	5	5	5	5	V
Forward Current (avg)	$I_F$	30	30	30	30	30	25	30	30	mA
Forward Current (peak)	$I_{FS}$	160	150	140	150	155	140	150	150	mA
Reverse Current $V_R = 5V$	$I_R$	10	10	10	10	10	10	10	10	$\mu A$
Power Dissipation	$P_T$	105	105	105	105	100	105	125	105	mW
Operating Temperature	$T_A$	-40 ~ +85								$^{\circ}C$
Storage temperature	$T_{STG}$	-40 ~ +85								$^{\circ}C$
Forward Voltage (typ.), $I_F = 20mA$	$V_F$	2	2.1	2.1	3.5	1.85	2.2	2.0	3.5	V
Forward Voltage (max.), $I_F = 20mA$	$V_F$	2.5	2.5	2.5	4.0	2.5	2.5	2.5	4.0	V
Capacitance, $V_F = 0V, f = 1MHz$	CO	15	20	20	100	45	15	25	100	pF
Wavelength at Peak Emmission, $I_F = 20mA$	$\lambda_P$	627	568	590	468	660	565	590	468	nm
Spectral Line Half-Width, $I_F = 20mA$	$\Delta\lambda$	45	26	35	25	20	30	28	25	nm
Luminous Intensity, $I_F = 20mA$	LI	69	98	29	99	598	599	698	648	mcd
Viewing Angle	$\Theta$	20	20	20	20	20	20	20	20	Deg