

SPECIFICATIONS

Electrical Ratings	500mA @ 24VDC
Electrical Life	10,000 cycles typical
Contact Resistance	< 50 mΩ initial
Actuation Force	200 +/- 50gF
Actuator Travel	2.2 +/- .1mm
Dielectric Strength	1000Vrms min
Insulation Resistance	> 1000MΩ min
Operating Temperature	-40°C to 85°C
Storage Temperature	-40°C to 85°C



MATERIALS ←RoHS COMPLIANT

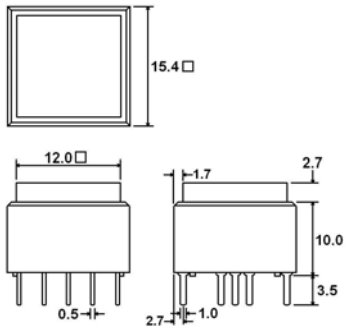
Actuator Cap	Poly Carbonate (PC)
Actuator Body	Poly Carbonate (PC)
Housing	Polyamide (PA), UL94V-0
Terminal Base	Polyamide (PA), UL94V-0
Contacts	Brass Rivet, Ag or Au plated
Terminals	Brass, Ag or Au plated

ORDERING INFORMATION

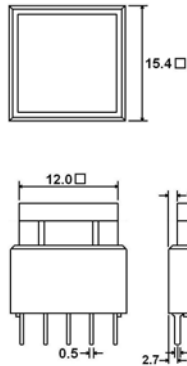
1. Series:	JC	V	1	R	G	Q	B	J
JC								
2. Actuator Options:								
S = Square								
H = Extended Square								
R = Rectangle								
V = Square (concave)								
Q = Square (concave)								
PS = Square (panel mount)								
PH = Square (extended square, panel mount)								
3. Number of Poles:								
1 = SPDT								
2 = DPDT								
4. Latching Option:								
Blank = Momentary								
L = Latching **Not available with R actuator								
5. LED (1):								
R = Red Y = Yellow W = White								
G = Green B = Blue								
6. LED (2): **Each switch requires two LED choices. Both LEDs may be the same color.								
R = Red Y = Yellow W = White								
G = Green B = Blue								
7. Contact Material:								
Q = Silver								
R = Gold								
8. Laser Etching Colors:								
Blank = No Laser Etching Color								
MS =Misty Silver								
B = Black								
9. Laser Etching Styles:								
Blank = No Laser Etching Style								
A D G J								
B E H K								
C F I L								

****Laser etching styles are only available with the V actuators. A colored film is applied to the actuator and is laser etched to allow the LED to shine through the pattern.**

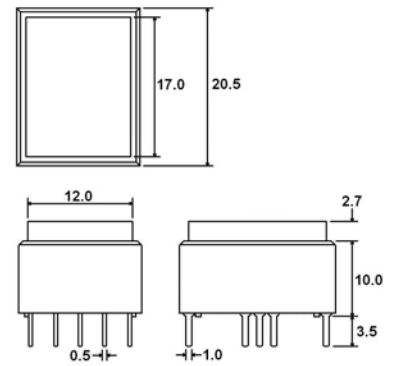
DIMENSIONS



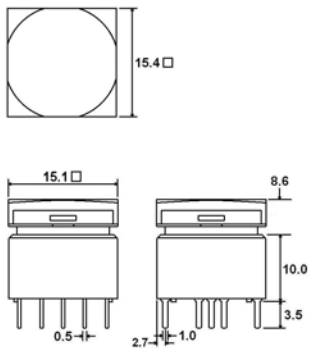
S - SQUARE



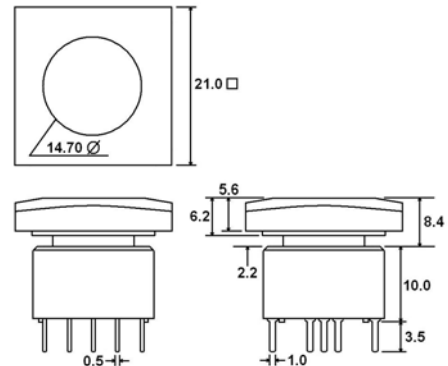
H - EXTENDED SQUARE



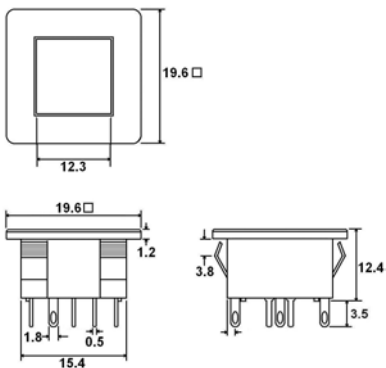
R - RECTANGLE



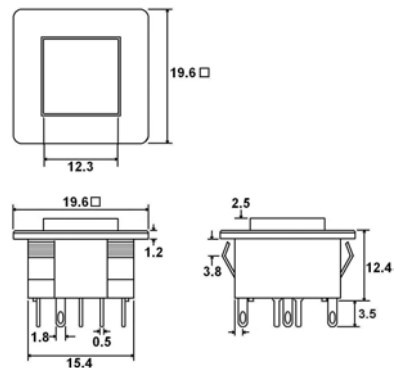
V - SQUARE (CONCAVE)



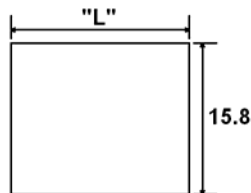
Q - SQUARE (CONCAVE)



PS - PANEL MOUNT (SQUARE)



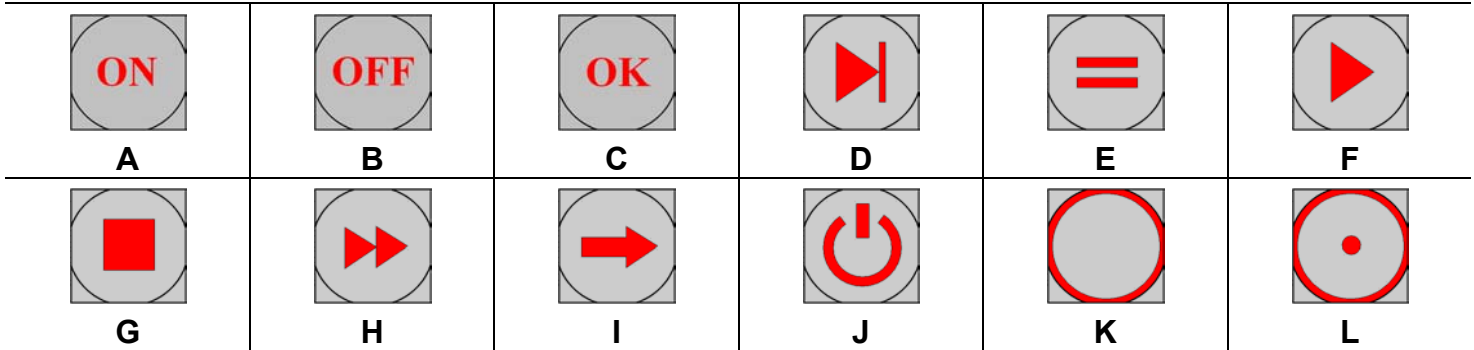
PH - PANEL MOUNT (EXTENDED SQUARE)



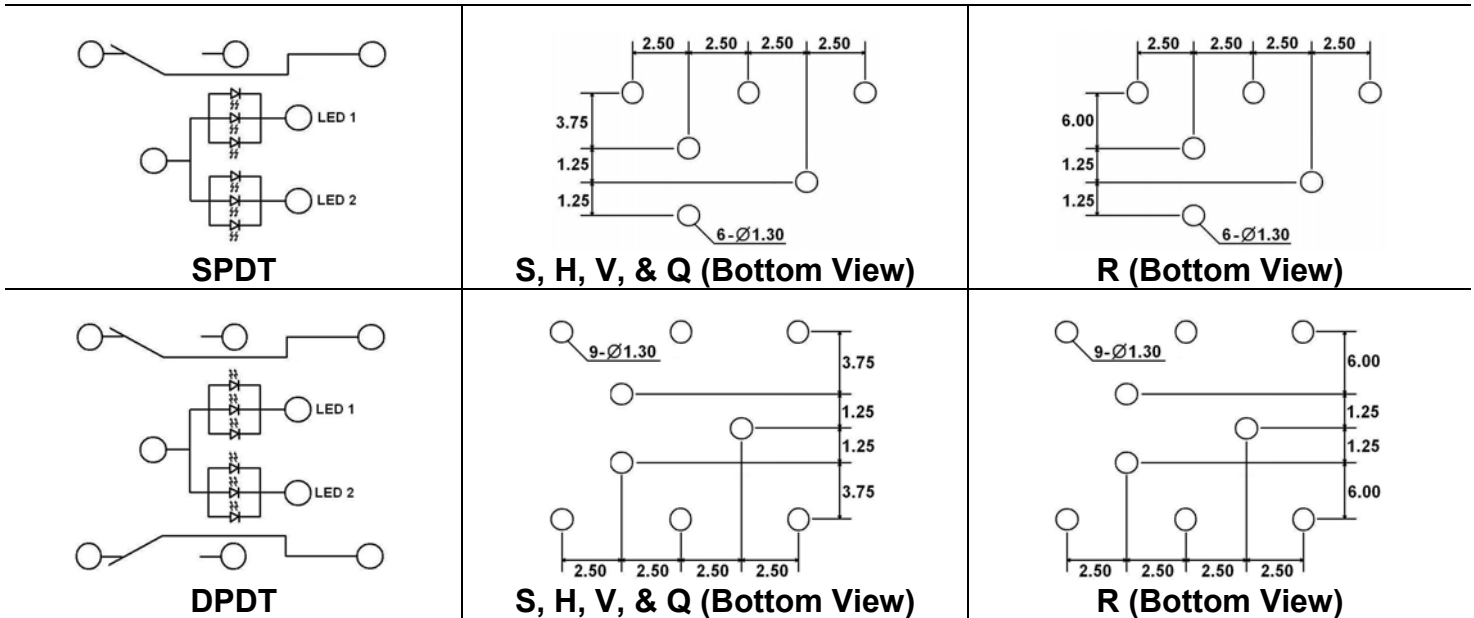
PANEL THICKNESS	"L"
0.75 ~ 1.25mm	18.0 ~ 18.2mm
1.25 ~ 2.0mm	18.2 ~ 18.4mm
2.0 ~ 3.0mm	18.4 ~ 18.6mm

PANEL MOUNT CUTOUT

LASER ETCHING STYLES



SCHEMATICS & PC LAYOUTS



LED SPECIFICATIONS

LED Ratings		Value					Units
		R	G	Y	B	W	
Reverse Voltage	V_R	5	5	5	5	5	V
Forward Current (avg)	I_F	30	30	30	30	30	mA
Forward Current (peak)	I_{FS}	100	120	100	100	100	mA
Reverse Current $V_R = 5V$	I_R	10	10	10	10	10	μA
Power Dissipation	P_T	100	100	100	120	120	mW
Operating Temperature	T_A	-40~ +85					$^{\circ}C$
Storage temperature	T_{STG}	-40~ +85					$^{\circ}C$
Forward Voltage (typ.), $I_F = 20mA$	V_F	1.7	1.7	1.7	3.5	3.5	V
Forward Voltage (max.), $I_F = 20mA$	V_F	2.6	2.6	2.6	4.0	4.0	V
Capacitance, $V_F = 0V, f = 1MHz$	CO	20	20	20	100	100	pF
Wavelength at Peak Emission, $I_F = 20mA$	λ_P	697	565	585	470	N/A	nm
Spectral Line Half-Width, $I_F = 20mA$	$\Delta\lambda$	20	20	20	25	N/A	nm
Luminous Intensity, $I_F = 20mA$	LI	171	171	171	450	400	mcd
Viewing Angle	Θ	50	50	50	50	50	Deg