

**FEATURES:**

- Large switching capacity up to 40A
- Small size and light weight
- PCB pin and quick connect mounting available
- Suitable for automobile and lamp accessories
- QS-9000, ISO-9002 Certified Manufacturing



26.0 x 26.0 x 24.5 (39.5) mm

RoHS Compliant

**CONTACT DATA**

Contact Arrangement	1A = SPST N.O. 1B = SPST N.C. 1C = SPDT 1U = SPST N.O. (2 terminals)
Contact Rating	1A: 40A @ 14VDC 1B: 30A @ 14VDC 1C: 40A @ 14VDC N.O. and 30A @ 14VDC N.C. 1U: 2x20A @ 14VDC
Contact Resistance	< 30 milliohms initial
Contact Material	AgSnO <sub>2</sub>
Maximum Switching Power	630W
Maximum Switching Voltage	75VDC
Maximum Switching Current	40A

**COIL DATA**

Coil Voltage VDC		Coil Resistance Ω ± 10%		Pick Up Voltage VDC (max)	Release Voltage VDC (min)	Coil Power W	Operate Time ms	Release Time ms
Rated	Max.	1.6W	1.9W	75% of rated voltage	10% of rated voltage			
6	7.8	22.5	19	4.2	0.6	1.6 or 1.9	7	5
12	15.6	90	75.8	8.4	1.2			
24	31.2	360	303.2	16.8	2.4			

**CAUTION:**

1. The use of any coil voltage less than the rated coil voltage may compromise the operation of the relay.
2. Pickup and release voltages are for test purposes only and are not to be used as design criteria.
3. When testing, coil terminals should be connected if coil transient suppression is installed in relay.

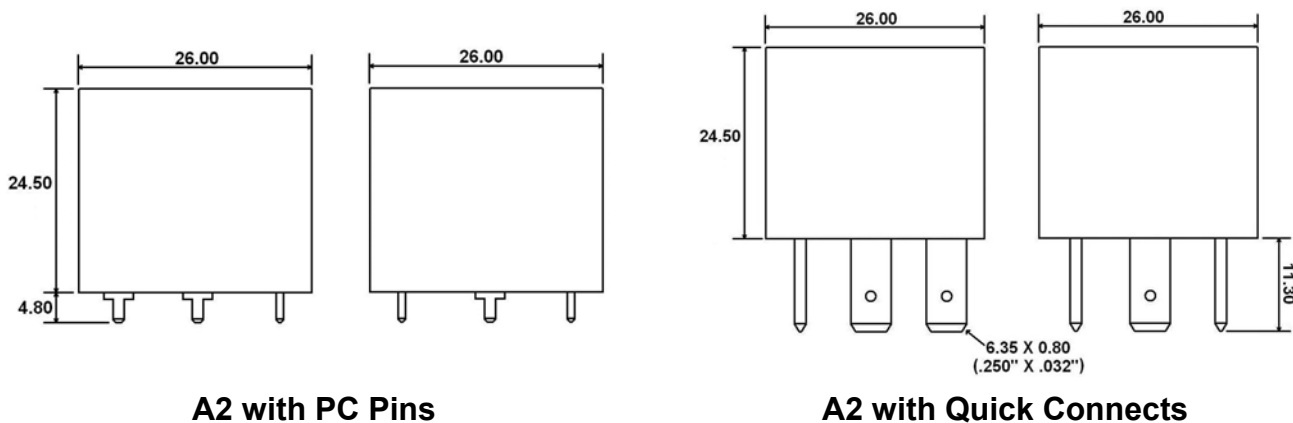
**GENERAL DATA**

Electrical Life @ rated load	100K cycles, typical
Mechanical Life	10M cycles, typical
Insulation Resistance	100MΩ min @ 500VDC
Dielectric Strength, Coil to Contact	750V rms min. @ sea level
Contact to Contact	500V rms min. @ sea level
Shock Resistance	147m/s <sup>2</sup> for 11ms
Vibration Resistance	1.5mm double amplitude 10-40Hz
Terminal (Copper Alloy) Strength	8N (Quick Connect), 4N (PCB Pins)
Operating Temperature	-40°C to + 85°C
Storage Temperature	-40°C to + 155°C
Solderability	260°C for 5s
Weight	31g

**ORDERING INFORMATION**

<b>1. Series:</b>	<b>A2</b>	<b>1C</b>	<b>S</b>	<b>Q</b>	<b>12VDC</b>	<b>1.6</b>
A2 standard						
A2F with mounting flange						
A2M with metal bracket						
A2S with metal bracket and shroud						
<b>2. Contact Arrangement:</b>						
1A = SPST N.O.						
1B = SPST N.C.						
1C = SPDT						
1U = SPST N.O. (2 terminals)						
<b>3. Sealing Options:</b>						
S = Sealed						
C = Dust Cover <b>**Not available with A2S</b>						
<b>4. Termination:</b>						
P = PCB Pins <b>**Not available with A2S</b>						
Q = Quick Connect						
<b>5. Coil Voltage:</b>						
6VDC						
12VDC						
24VDC						
<b>6. Coil Power:</b>						
1.6 = 1.6W						
1.9 = 1.9W						
<b>7. Coil Suppression:</b>						
Blank = Standard						
D = Diode (1N4005) Cathode on "86" terminal						
D1 = Diode (1N4004) Cathode on "86" Terminal						
R = Resistor (680 Ohms)						
2D = 2 diodes (1N4005)						
DR = Diode & Resistor Cathode on "86" Terminal (1N4005 & 680 Ohms)						
** Consult factory if other values are needed.						

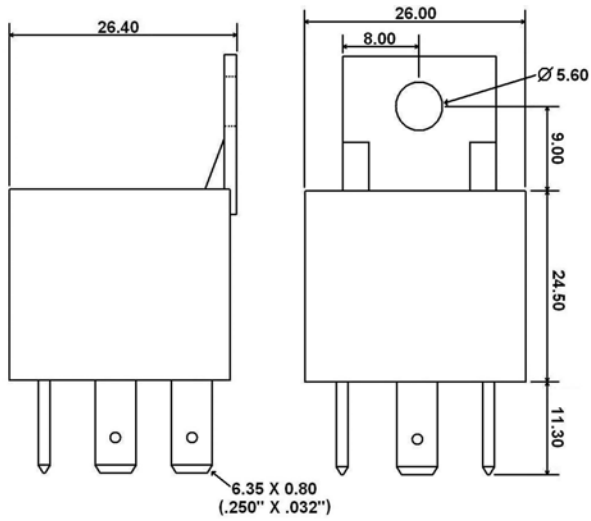
**DIMENSIONS – A2 (Units = mm)**



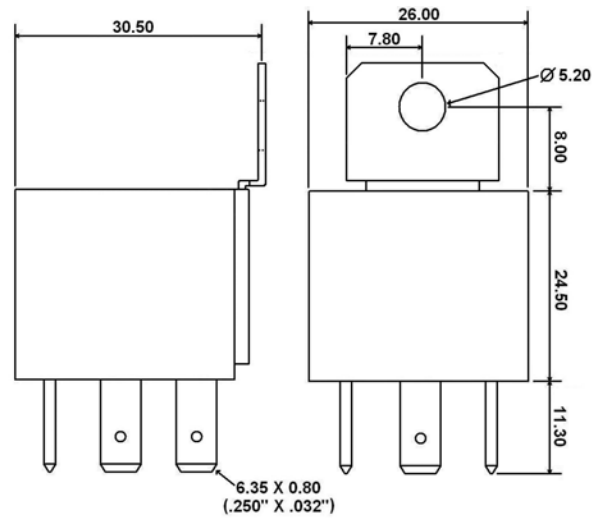
**A2 with PC Pins**

**A2 with Quick Connects**

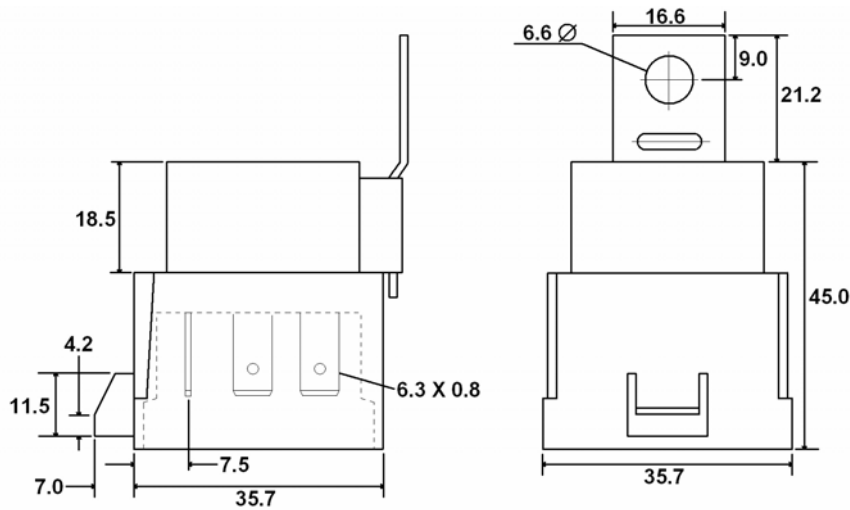
**DIMENSIONS – A2F & A2M (Units = mm)**



**A2F with Quick Connects**



**A2M with Quick Connects**



**A2S with Quick Connects**

**SCHEMATICS, PC PIN DIMENSIONS, & PC LAYOUTS (BOTTOM VIEWS)**

