

**SPECIFICATIONS**

Electrical Ratings	50mA @ 50VDC
Electrical Life	100,000 cycles typical
Contact Resistance	< 50 mΩ initial
Actuation Force	180 +/- 50gF
Actuator Travel	.25 +/- .1mm
Dielectric Strength	250Vrms min
Insulation Resistance	> 100MΩ min
Operating Temperature	-40°C to 85°C
Storage Temperature	-40°C to 85°C



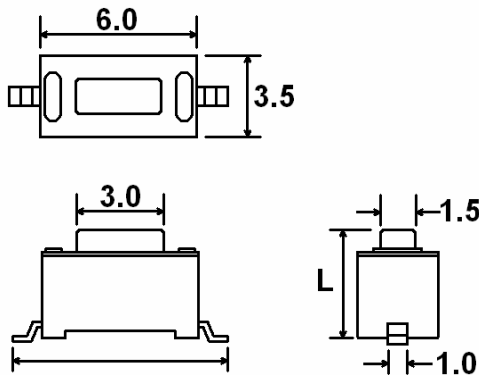
**MATERIALS ←RoHS COMPLIANT**

Actuator	4/6 Nylon
Housing	4/6 Nylon
Cover	Stainless Steel
Contacts	Stainless Steel, Silver Plated
Terminals	Brass, Silver Plated

**ORDERING INFORMATION**

1. Series:	<b>CS1101</b>	<b>4.3</b>
CS1101		
2. Actuator Length "L" (mm):		
4.3		
5.0		

**DIMENSIONS**



Part Number	"L" (mm)
CS11014.3	4.3
CS11015.0	5.0

**SCHEMATIC & PC LAYOUT**

