

SPECIFICATIONS

Switch Function	SPST, SPDT
Electrical Ratings	15A @ 125VAC 8A @ 250VAC
Electrical Life	10,000 cycles typical
Contact Resistance	< 50 mΩ initial
Dielectric Strength	1500Vrms min
Insulation Resistance	> 100MΩ min
Operating Temperature	-40°C to 85°C
Storage Temperature	-40°C to 85°C



RA US - 222871

MATERIALS

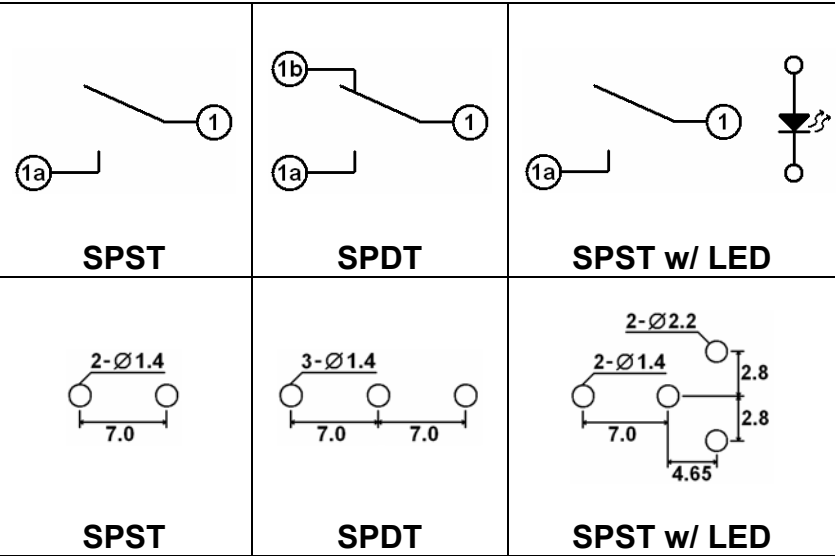
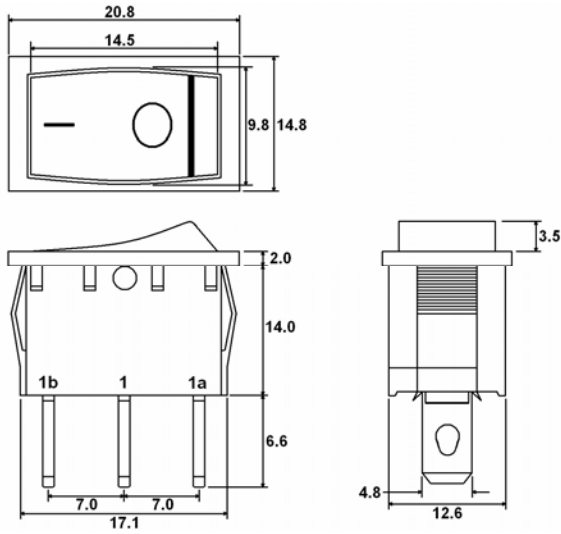
Actuator	6/6 Nylon
Housing	6/6 Nylon
Contacts	Silver Alloy
Terminals	Brass, Sn Plated

ORDERING INFORMATION

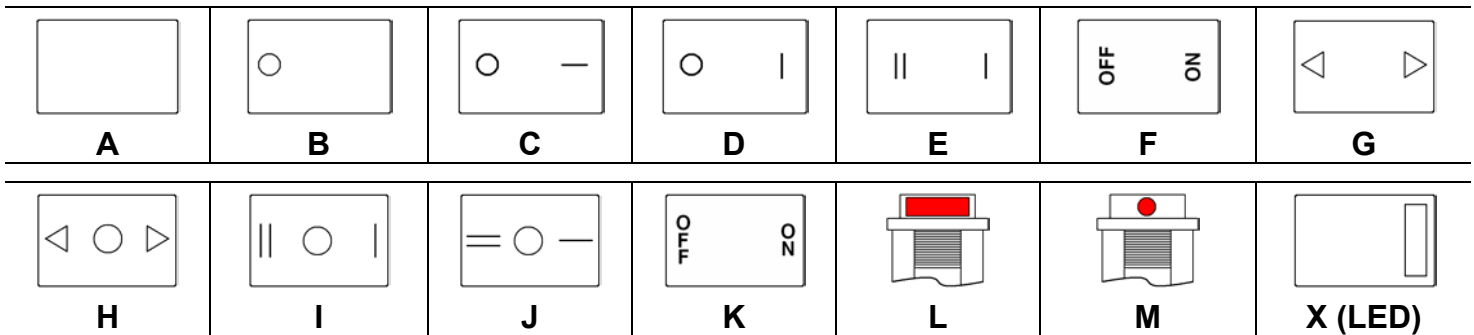
1. Series: RA	RA	1	1	2	2	C	W	C
2. Number of Poles: 1 = Single Pole								
3. Switch Function: 1 = OFF-ON **LED only available with this function 2 = OFF-(ON) 3 = (OFF)-ON 4 = ON-ON 5 = ON-(ON) 6 = ON-OFF-ON 7 = (ON)-OFF-(ON) 8 = ON-OFF-(ON)								
4. Housing Color: 1 = White 2 = Black 9 = Gray								
5. Actuator Color: 1 = White 2 = Black 3 = Red 6 = Orange 7 = Blue 9 = Gray								
6. Actuator Marking: A D G J M B E H K X **X marking used with LED only C F I L								
7. Actuator Marking Color: Blank = No Marking B = Black W = White R = Red								
8. Terminal Options: C = .187" Quick Connects / Solder Lug P = PC Pins R = Right Angle PC Pins ** Not available with LED option L = Left Angle PC Pins ** Not available with LED option								
9. LED Options: (For use with ON-OFF function & "X" actuator marking only) Blank = No LED R = Red Y = Yellow G = Green								

DIMENSIONS

SCHEMATICS & PC LAYOUTS



ACTUATOR MARKING OPTIONS



TERMINAL OPTIONS

