

SPECIFICATIONS

Electrical Ratings	200mA @ 36VDC
Electrical Life	20,000 cycles typical
Contact Resistance	< 50 mΩ initial
Actuation Force	300 +/- 100gF
Actuator Travel	2 +/- .25mm
Dielectric Strength	1000Vrms min
Insulation Resistance	> 100MΩ min
Operating Temperature	-40°C to 85°C
Storage Temperature	-40°C to 85°C



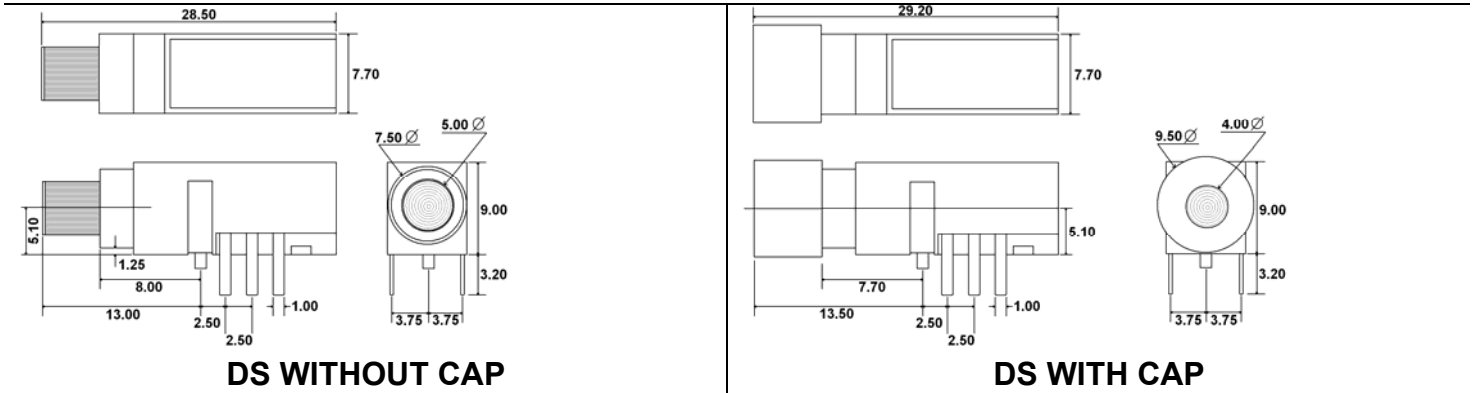
MATERIALS ←RoHS COMPLIANT

Actuator	PC – Polycarbonate
Housing	6/6 Nylon
Cover	6/6 Nylon
Contacts	Phosphor Bronze, Silver Plated
Terminals	Brass, Silver Plated

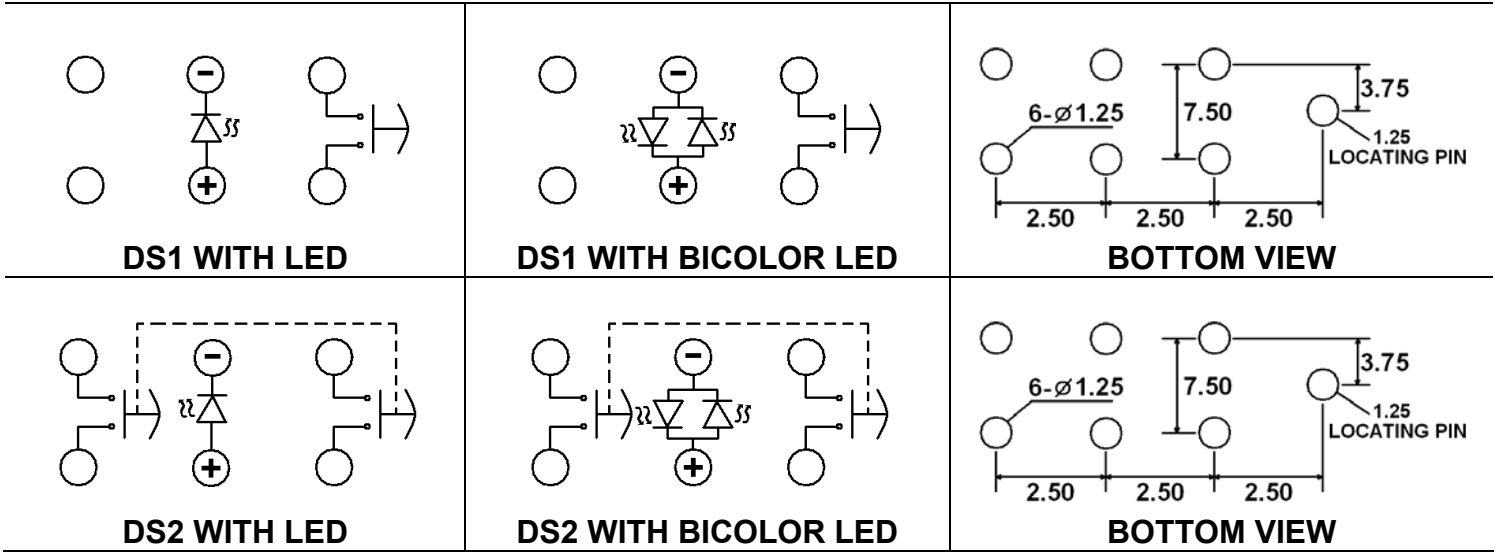
ORDERING INFORMATION

1. Series:	DS	A	2	B	R
DS					
2. Switch Function:					
1 = SPST N.O.					
2 = DPST N.O.					
3. Cap Option:					
N = No Cap					
C = With Cap					
4. LED Color:					
Blank = No LED					
R = Red					
G = Green					
Y = Yellow					
B = Blue					
5. Second LED Color: **For Bicolor LED option					
Blank = No Second LED Color					
R = Red					
G = Green					
Y = Yellow					
B = Blue					

DIMENSIONS



SCHEMATICS & PC LAYOUT



LED SPECIFICATIONS

LED Ratings		Value				Units
		R	G	Y	B	
Reverse Voltage	V_R	5	5	5	5	V
Forward Current (avg)	I_F	15	30	20	30	mA
Forward Current (peak)	I_{FS}	160	120	80	100	mA
Reverse Current $V_R = 5V$	I_R	10	10	10	10	μA
Power Dissipation	P_T	40	100	60	120	mW
Operating Temperature	T_A	-40~ +85				$^{\circ}C$
Storage temperature	T_{STG}	-40~ +85				$^{\circ}C$
Forward Voltage (typ.), $I_F = 20mA$	V_F	1.7	1.7	1.7	3.5	V
Forward Voltage (max.), $I_F = 20mA$	V_F	2.6	2.6	2.6	4.0	V
Capacitance, $V_F = 0V, f = 1MHz$	CO	15	20	20	100	pF
Wavelength at Peak Emmission, $I_F = 20mA$	λ_P	697	565	585	470	nm
Spectral Line Half-Width, $I_F = 20mA$	$\Delta\lambda$	90	30	35	25	nm
Luminous Intensity, $I_F = 20mA$	LI	4.2	20	8.0	450	mcd
Viewing Angle	Θ	50	50	50	30	Deg