

Illuminated Indexing Switch

Specifications

Electrical Ratings	1A @ 24VDC 1A @ 125VAC 0.5A @ 250VAC	Dielectric Strength	2000Vrms min contact to contact
Electrical Life	50,000 cycles typical	Insulation Resistance	>100MΩ min
Contact Resistance	≤50mΩ initial	Sealing	IP65, Standard
		Operating Temperature	-25°C to 55°C
		Storage Temperature	-25°C to 55°C

Materials

Actuator	Stainless Steel
LED Lens	Poly Carbonate (PC)
Threaded Body	Stainless Steel
Polymer Housing	Polybutylene Terephthalate (PBT)
Contacts	Silver Alloy Rivet
Terminals	Copper Alloy, Silver Plated
“O” Ring	Buna-N
Hex Nut	Brass, Nickel Plated

Ordering Information

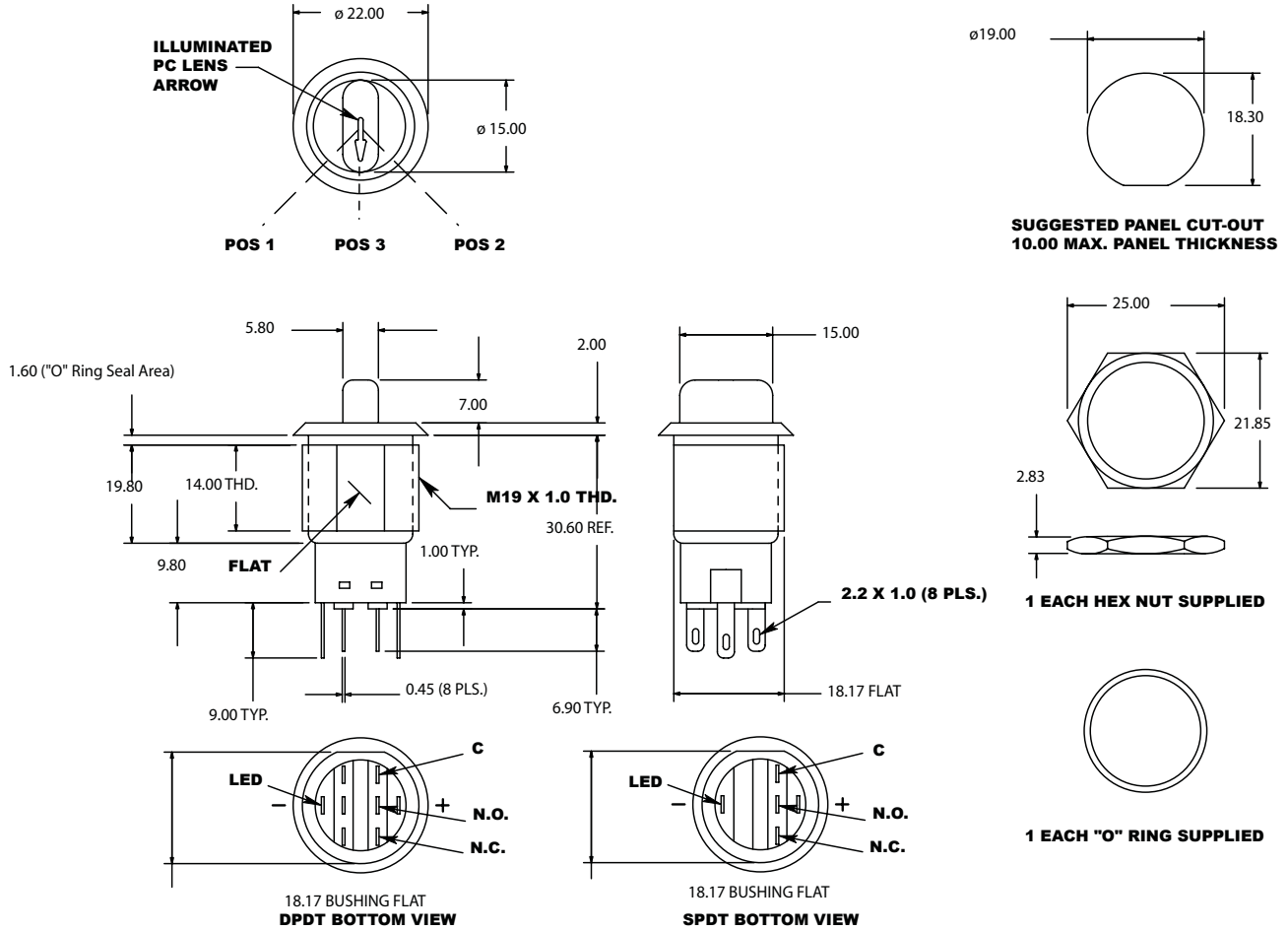
1. Series	AS	C	S	RB	12	S
AS						
2. Switch Function	<p>A = SPDT - 90° Indexing (On - On) B = DPDT - 90° Indexing (On - On) C = DPDT - 45° Indexing (On - On - On)</p>					
3. Switch Finish	<p>S = Stainless Steel</p>					
4. LED Color	<p>X = No LED RO = Red / Orange dual LED YG = Yellow / Green dual LED R = Red RY = Red / Yellow dual LED YB = Yellow / Blue dual LED Y = Yellow RG = Red / Green dual LED BG = Blue / Green dual LED G = Green RB = Red / Blue dual LED B = Blue OY = Orange / Yellow dual LED W = White OG = Orange / Green dual LED O = Orange OB = Orange / Blue dual LED</p>					
5. LED Volatge	<p>X = No LED 24 = 24V N = No internal resistor in series with the LED 6 = 6V 110 = 110V 12 = 12V 220 = 220V</p>					
6. Sealing	<p>S = IP65 (Standard)</p>					

Dimensions shown in mm. Dimensions are shown for reference purposes only.

Specifications and availability subject to change without notice.

Illuminated Indexing Switch

Dimensions



Specifications and availability subject to change without notice.

Schematic & Panel Cut-Out

SWITCH FUNCTION -TOP VIEW	POS. 1 - BOTTOM VIEW	POS. 3 - BOTTOM VIEW	POS. 2 - BOTTOM VIEW
<p>A</p> <p>SPDT 90° Indexing (ON - ON)</p>	<p>NO NC</p>	<p>NONE</p>	<p>NO NC</p>
<p>B</p> <p>DPDT 90° Indexing (ON - ON)</p>	<p>NO NC NO NC</p>	<p>NONE</p>	<p>NO NC NO NC</p>
<p>C</p> <p>DPDT 45° Indexing (ON - ON - ON)</p>	<p>NO NC NO NC</p>	<p>NO NC NO NC</p>	<p>NO NC NO NC</p>

Dimensions shown in mm. Dimensions are shown for reference purposes only.

Illuminated Indexing Switch

LED Characteristics

LED Ratings		Color						Units
		R	Y	G	B	O	W	
Reverse Voltage	V_R	5	5	5	5	5	5	V
Forward Current (avg)	I_F	25	25	30	30	25	30	mA
Forward Current (peak)	I_{FS}	120	120	160	160	120	160	mA
Reverse Current $V_R = 5V$	I_R	10	10	10	10	10	10	μA
Forward Voltage (typ) $I_F = 20mA$	V_F	2.1	2.1	3.3	3.3	2.0	3.0	V
Forward Voltage (max) $I_F = 20mA$	V_F	2.4	2.5	3.6	3.6	2.3	3.6	V
Luminous Intensity, $I_F = 20mA$	LI	120	120	170	100	120	700	mcd

Dimensions shown in mm. Dimensions are shown for reference purposes only.

Specifications and availability subject to change without notice.