



## Specifications

|                    |                              |
|--------------------|------------------------------|
| Electrical Ratings | 16A @ 125VAC / 250VAC / T120 |
|                    | 6A @ 125VAC / 250VAC / T120  |
|                    | 5A @ 125VACL / T120          |
| Electrical Life    | 100,000 cycles, typical      |
| Mechanical Life    | 1,000,000 cycles, typical    |

|                       |                           |
|-----------------------|---------------------------|
| Contact Resistance    | < 20m Ω initial           |
| Actuation Forces      | 80gF, 110gF or 180gF      |
| Dielectric Strength   | 1000Vrms min. @ sea level |
| Insulation Resistance | ≥ 100MΩ min               |
| Operating Temperature | -40°C to +120°C           |
| Storage Temperature   | -40°C to +120°C           |

## Materials

|              |   |
|--------------|---|
| Base / Cover | Polybutylene Terephthalate (PBT), UL94-V0 |
| Pin Plunger  | Polybutylene Terephthalate (PBT), UL94-V0 |
| Contacts     | Silver Alloy                              |
| Terminals    | Copper Alloy, Silver Plated               |

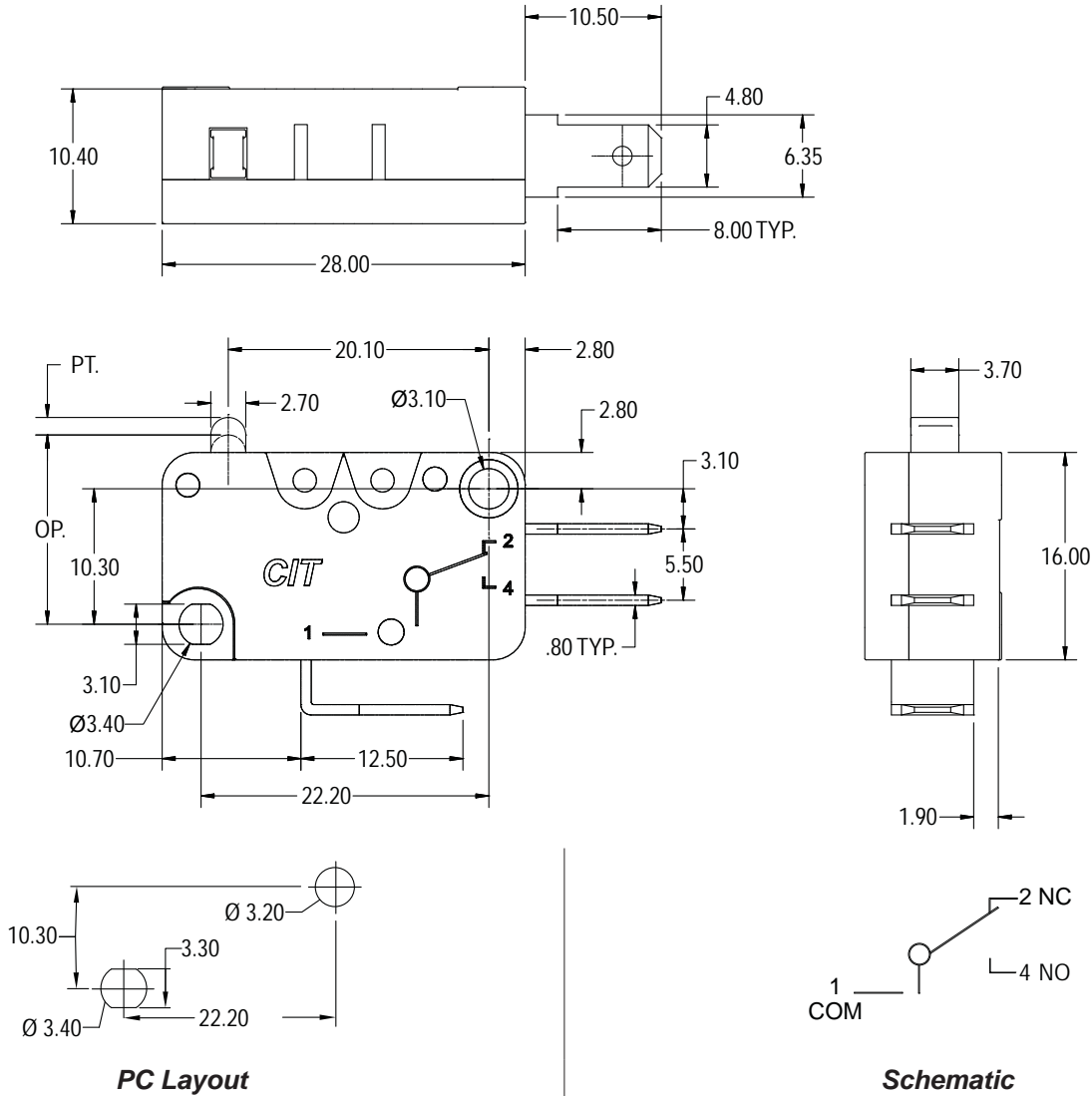
## Ordering Information

|  |  |   |   |      |   |     |
|--|--|---|---|------|---|-----|
| 1. Series  | VM3  | C | Q | F080 | 1 | L00 |
| VM3  |  |   |   |      |   |     |
| 2. Circuit   | <ul style="list-style-type: none"> <li>A = SPST NO</li> <li>B = SPST NC</li> <li>C = SPDT</li> </ul>   |   |   |      |   |     |
| 3. Electrical Rating   | Q = Silver   |   |   |      |   |     |
| 4. Operating Force without lever **Contact factory for other force options | <ul style="list-style-type: none"> <li>F080 = 80gF</li> <li>F110 = 110gF</li> <li>F180 = 180gF</li> </ul>  |   |   |      |   |     |
| 5. Termination   | <ul style="list-style-type: none"> <li>1 = 0.250" Quick Connect</li> <li>2 = 0.187" Quick Connect</li> </ul>   |   |   |      |   |     |
| 6. Actuator (Lever)  | <ul style="list-style-type: none"> <li>L00 = Pin plunger</li> <li>L01 = Roller lever, standard</li> <li>L02 = Simulated roller</li> <li>L03 = Hinge lever, standard</li> <li>L04 = Hinge lever, short</li> <li>L06 = Roller lever, short</li> <li>L07 = Hinge lever, long</li> </ul> |   |   |      |   |     |

# VM3

## Snap Action

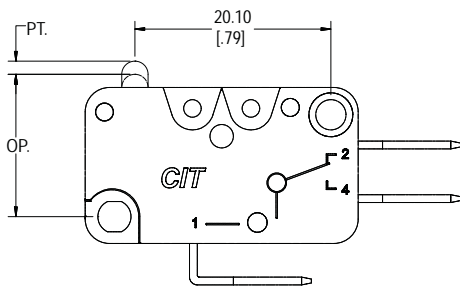
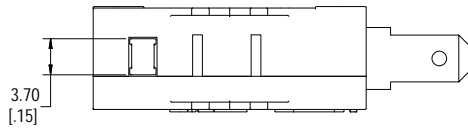
### Dimensions



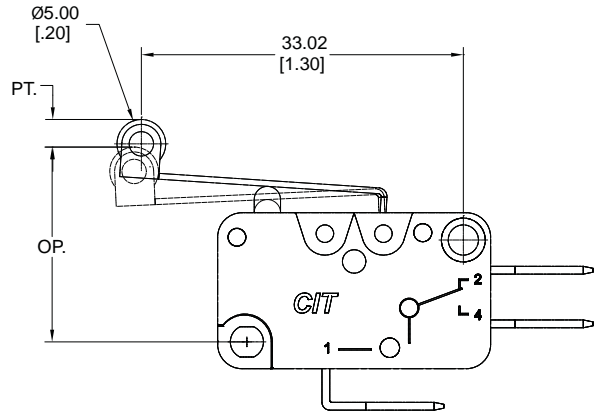
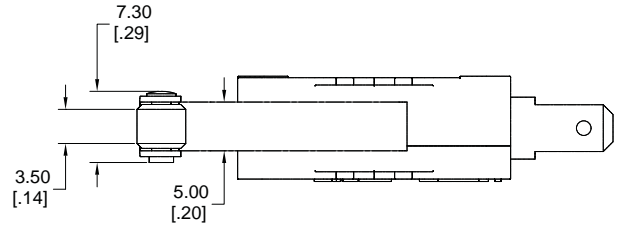
### Switch Characteristics

| Actuators (Levers) | Operating Force - OF (grams) |        |        | Release Force - RF (grams) |       |       | Pre-Travel - PT all forces max (mm) | Operating Position - OP all forces (mm) |
|--------------------|------------------------------|--------|--------|----------------------------|-------|-------|-------------------------------------|---|
|                    | 80gF                         | 110gF  | 180GF  | 80gF                       | 90gF  | 90gF  |                                     |   |
| L00                | 80±20                        | 110±30 | 180±30 | 40±15                      | 90±20 | 90±20 | 15.7                                | 14.5±0.2                                |
| L01                | 40±15                        | 55±20  | 80±20  | 20±10                      | 60±20 | 60±20 | 22.3                                | 19.0±0.4                                |
| L02                | 40±15                        | 60±20  | 80±20  | 20±10                      | 60±20 | 40±20 | 20.8                                | 18.2±0.5                                |
| L03                | 35±10                        | 50±20  | 70±20  | 18±8                       | 50±20 | 50±20 | 17.3                                | 14.5±0.5                                |
| L04                | 65±15                        | 95±20  | 145±30 | 35±15                      | 45±20 | 60±20 | 16.4                                | 14.5±0.3                                |
| L06                | 80±20                        | 100±20 | 180±30 | 40±15                      | 70±20 | 80±20 | 21.8                                | 20.2±0.3                                |
| L07                | 18±10                        | 25±10  | 40±15  | 10±5                       | 20±10 | 20±10 | 19.0                                | 12.5±1.2                                |

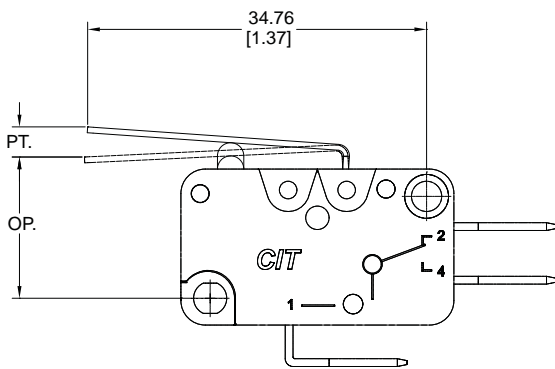
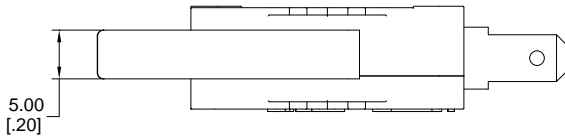
**Levers**



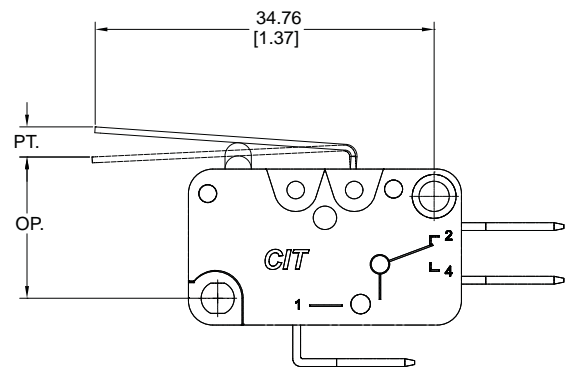
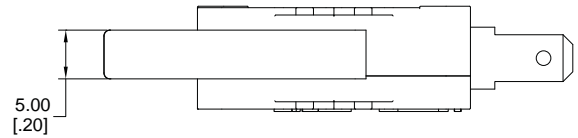
**L00**



**L01**



**L02**

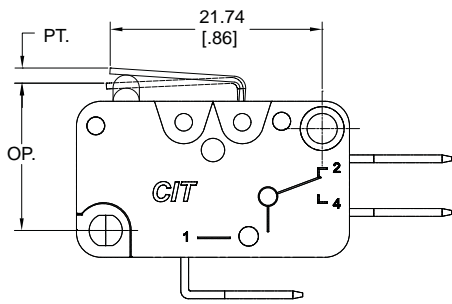
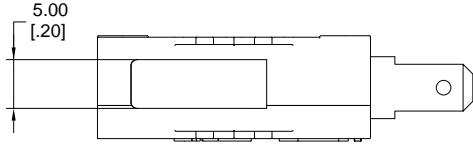


**L03**

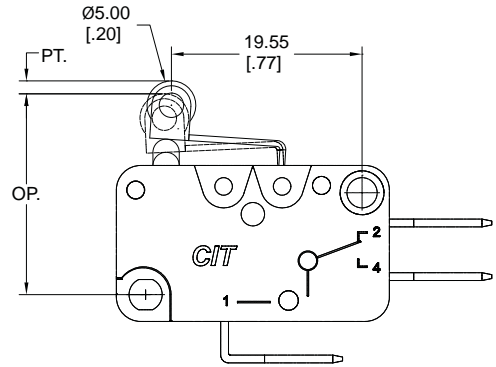
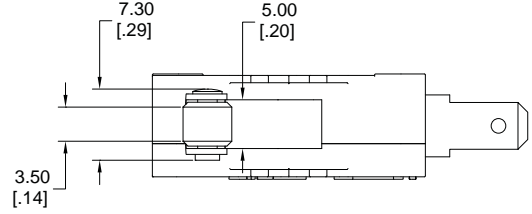
# VM3

## Snap Action

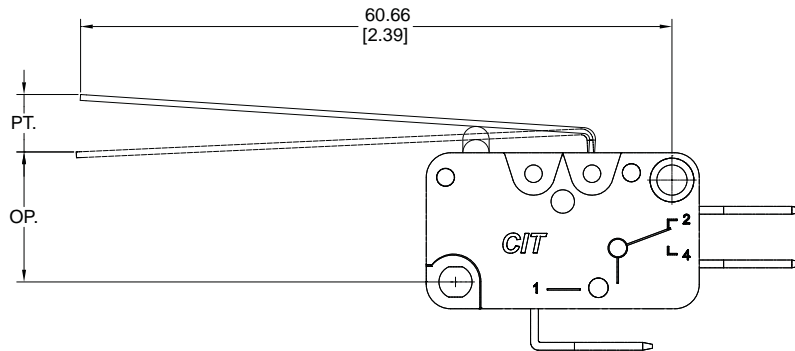
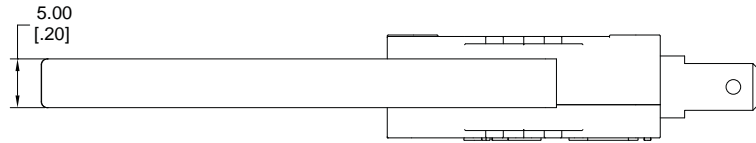
### Levers



**L04**



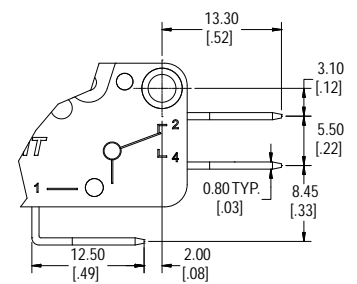
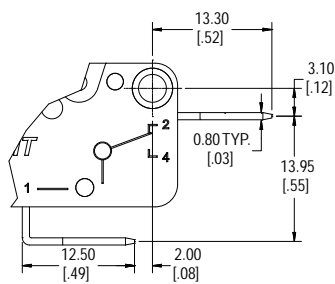
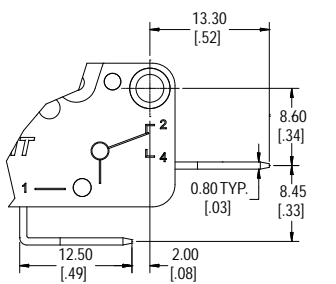
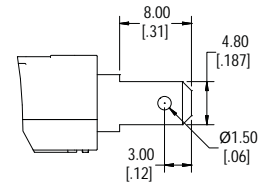
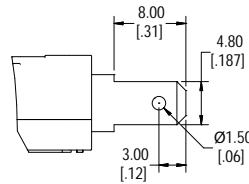
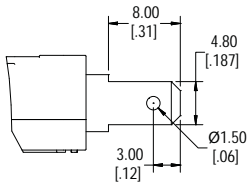
**L06**



**L07**

**Terminal Options**

**.187" Quick Connect Terminals**

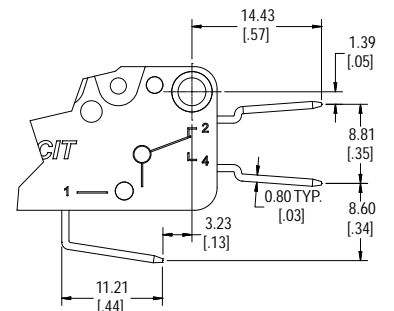
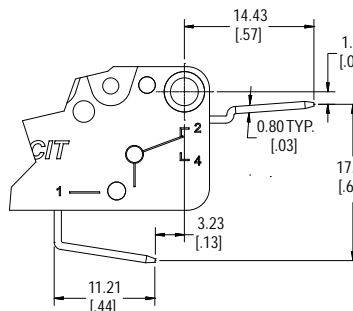
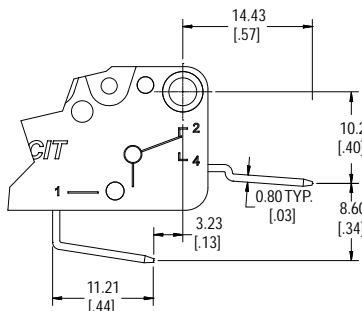
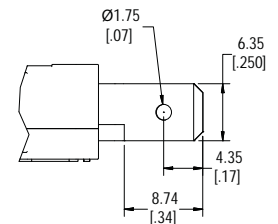
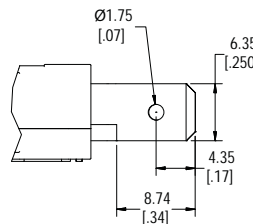
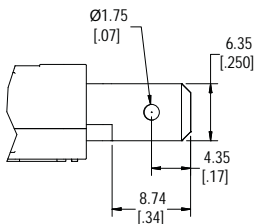


**SPST N.O.**

**SPST N.C.**

**SPDT**

**.250" Quick Connect Terminals**



**SPST N.O.**

**SPST N.C.**

**SPDT**