



**cULus** RoHS Compliant

**J107E1**

E197851

19.0 x 15.5 x 15.3 mm

## Features

- Small size and light weight
- PC board mounting
- UL/CUL certified

## Contact Data

Contact Arrangement	1A = SPST N.O. 1B = SPST N.C. 1C = SPDT
Contact Rating	10A @ 250VAC 10A @ 30VDC

Contact Resistance	< 50 milliohms initial
Contact Material	AgSnO <sub>2</sub>
Maximum Switching Power	2500VA, 300W
Maximum Switching Voltage	380VAC, 110VDC
Maximum Switching Current	10A

## Coil Data

Coil Voltage VDC		Coil Resistance Ω +/- 10%		Pick Up Voltage VDC (max) 75% of rated voltage	Release Voltage VDC (min) 10% of rated voltage	Coil Power W	Operate Time ms	Release Time ms
Rated	Max	.36W	.45W					
3	3.9	25	20	2.25	.3	.36 .45	10	5
5	6.5	70	56	3.75	.5			
6	7.8	100	80	4.50	.6			
9	11.7	225	180	6.75	.9			
12	15.6	400	320	9.00	1.2			
24	31.2	1600	1280	18.00	2.4			

## General Data

Electrical Life @ rated load	100K cycles, typical
Mechanical Life	10M cycles, typical
Insulation Resistance	100M Ω min. @ 500VDC
Dielectric Strength, Coil to Contact Contact to Contact	1500V rms min. @ sea level 750V rms min. @ sea level
Shock Resistance	100m/s <sup>2</sup> for 11 ms
Vibration Resistance	1.55mm double amplitude 10~55Hz
Operating Temperature	-40°C to +85°C
Storage Temperature	-40°C to +130°C
Solderability	260°C for 5 s
Weight	10g

### Caution

1. The use of any coil voltage less than the rated coil voltage may compromise the operation of the relay.

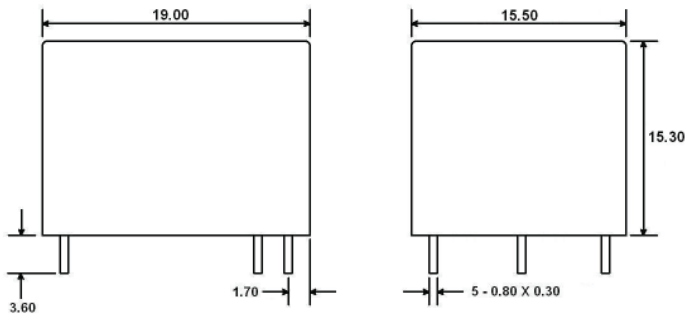
# J107E1

## Ordering Information

1. Series	J107E1	1C	S	10	12VDC	.36
J107E1						
2. Contact Arrangement	1A = SPST N.O. 1B = SPST N.C. 1C = SPDT					
3. Sealing Option	S = Sealed					
4. Contact Rating	10 = 10A					
5. Coil Voltage	3VDC 5VDC 6VDC 9VDC 12VDC 24VDC					
6. Coil Power	.36 = .36W .45 = .45W					

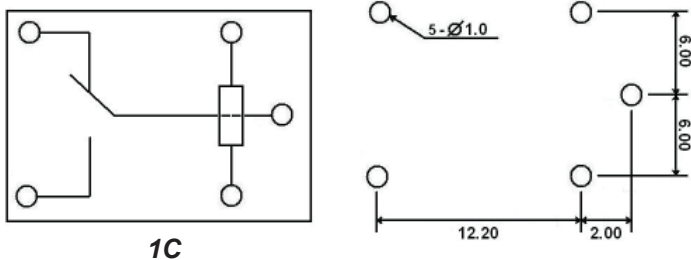
## Dimensions

Units = mm



## Schematics & PC Layouts

Bottom Views



Dimensions shown in mm. Dimensions are shown for reference purposes only.

Specifications and availability subject to change without notice.