

CTB-Series - Panel Mount Rocker Thermal Circuit Protector



Rating:

3 to 15A, 125, 250VAC, 50VDC

Approvals:

UL, CUL, VDE, CE

Interrupting capacity:

1000 amps

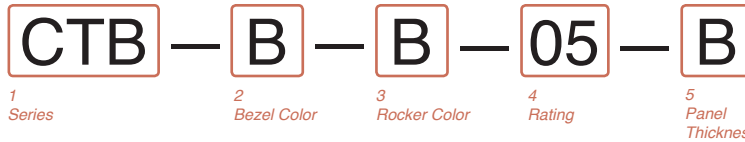
Insulation Resistance:

100M ohms

Applications:

Household Appliances
Transportation
Marine
Power Strips
Medical Equipment
Audio Visual Equipment
Power Supplies
Exercise Equipment
ROHS Complaint

Ordering Scheme



1 SERIES
CTB

2 BEZEL COLOR¹
B Black

3 ROCKER COLOR¹
B Black

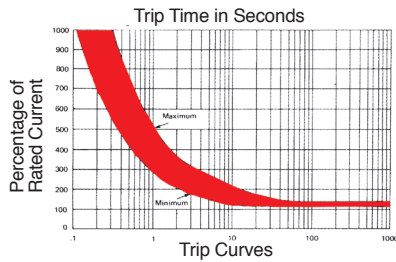
4 RATING

03	3 amp	08	8 amp	14	14 amp
04	4 amp	09	9 amp	15	15 amp
05	5 amp	10	10 amp		
06	6 amp	12	12 amp		
07	7 amp	13	13 amp		

5 PANEL THICKNESS
blank fits standard thickness of .032 – .062
B fits .070 – .110 panel thickness

Notes:
1 Additional colors available. Consult factory.

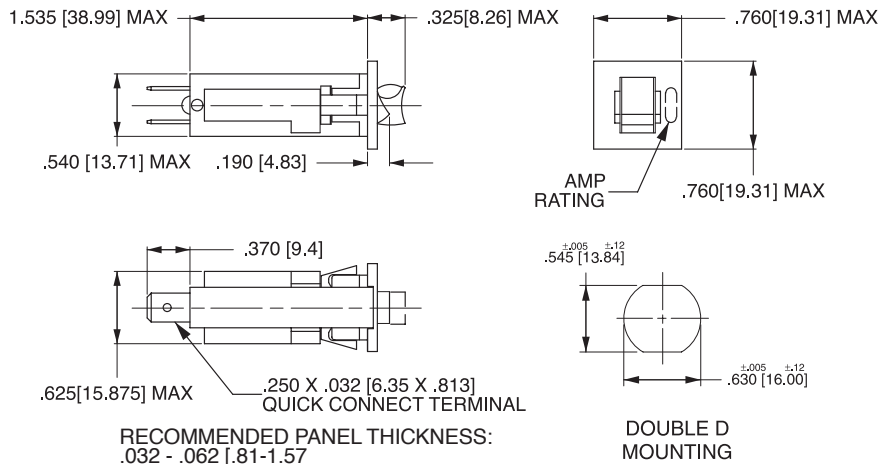
Time Delay



CORRECTION FACTOR ¹	
0°C	x .67
10°C	x .72
15°C	x .83
18°C	x .87
25°C	x 1.00
32°C	x 1.05
40°C	x 1.18
50°C	x 1.33
60°C	x 1.67

Notes:
1 To adjust the breaker rating for ambient temperature, multiply the breaker rating by the factor. (ex: 5A rating x .850 = 4.25A. Select 4A rating.)

Dimensional Specifications: in. [mm]



Notes:
All dimensions are in inches [millimeters]. Tolerance ± 0.005 [0.127] unless otherwise specified. Breaker must hold 100% of rated current and must trip at 150% and above, within the time limits shown in curve. Trip times specified at 25° ambient with no preloading.

*Manufacturer reserves the right to change product specification without prior notice.