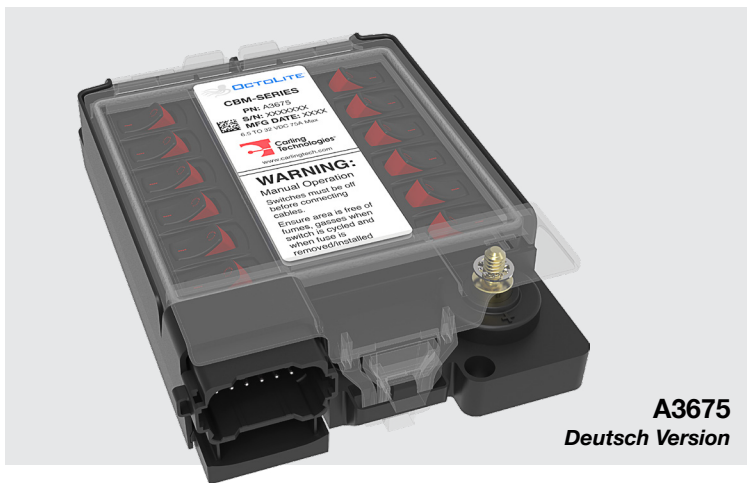


# CBM-SERIES

## BYPASS MODULE

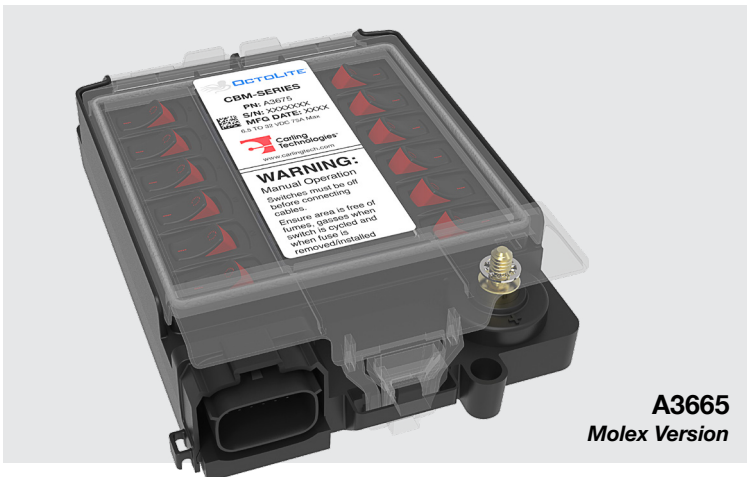
When used in conjunction with the CLM-Series, the bypass module provides manual control of the loads in case of system failures. It utilizes standard fuses for overcurrent protection and 12 Carling Curvette® rocker switches for manual control of each load.

The maximum current capacity for CLM-Series is 75 Amps in 12VDC and 24VDC power systems. This unit is available with either DEUTSCH or Molex® connectors for installation flexibility.



### Product Highlights:

- 75 Amps maximum current capacity
- Outputs
  - 15A max (two outputs) - Molex Version
  - 12A max (two outputs) - Deutsch Version
  - 10A max (six outputs)
  - 5A max (four outputs)
- 12 & 24 VDC power systems
- Carling Technologies Curvette® Rocker switches
- Overcurrent protection via ATC standard fuses



### Model Numbers:

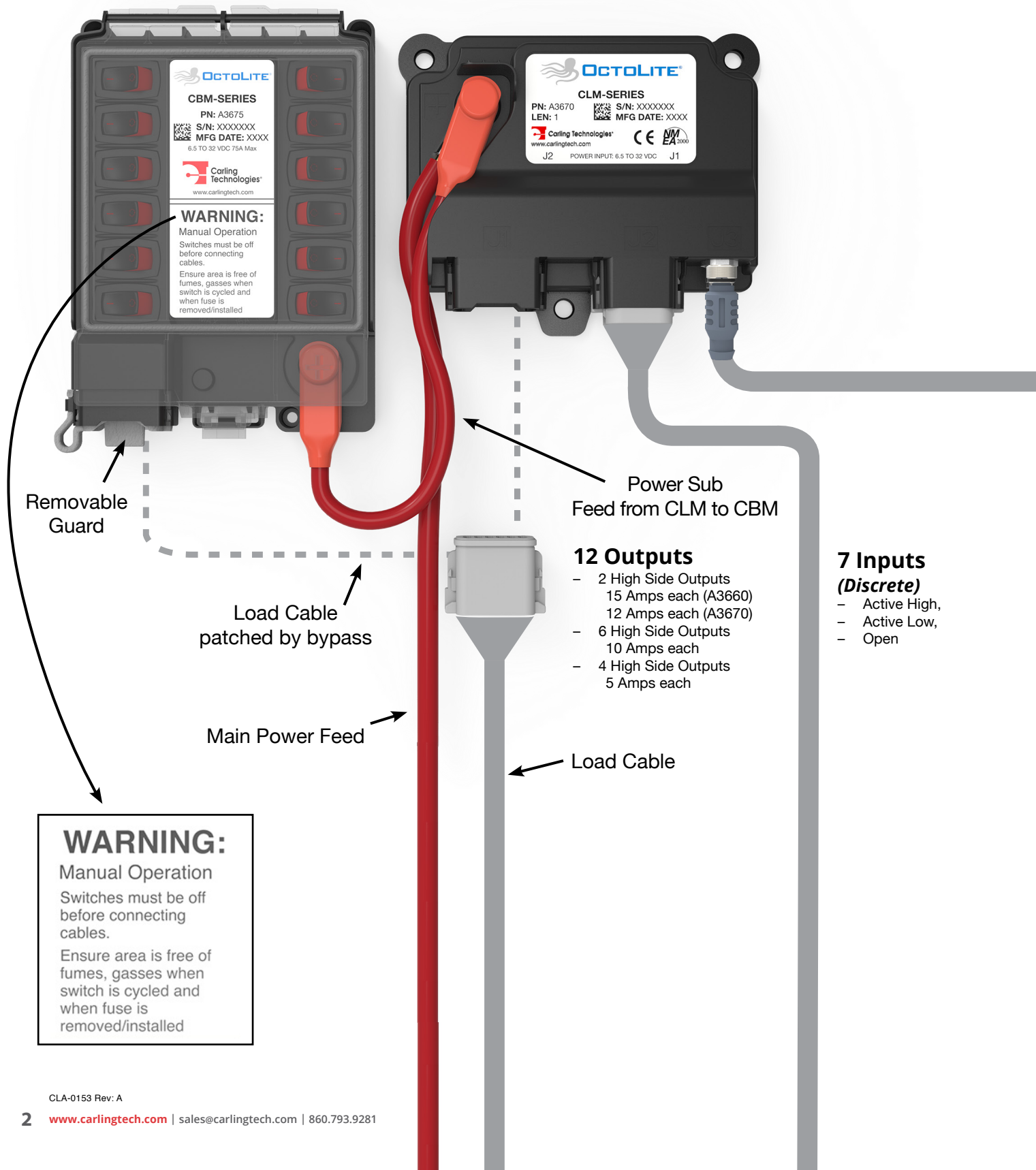
- CBMD12 - DEUTSCH Connector
- CBMM12 - Molex® Connector



\*Manufacturer reserves the right to change product specification without prior notice. Please refer to our website for the latest details.

## Installation Diagram Deutsch Version Shown

To perform a manual bypass, remove the load cable from the CLM-Series and plug it into the CB-Series. The 12 load rocker switches can be accessed by lifting the cover on the CB-Series.



# General Specifications

## Electrical

Rating	A3665 (Molex Version): Maximum current 75A 12/24V 2 Outputs 15A 12/24V 6 Outputs 10A 12/24V 4 Outputs 5A 12/24V A3675 (Deutsch Version): Maximum current 70A 12/24V 2 Outputs 12A 12/24V 6 Outputs 10A 12/24V 4 Outputs 5A 12/24V
Dielectric Strength Switch	1500 Volts RMS
Insulation Resistance Switch	50 Meg Ohms, 500 VDC
Electrical Life Switch	1000 Cycles
Jumper Wire	Use 6 AWG, Tinned Wire, per ABYC location requirements.
Connector Mating Cycles	A3665, Molex MX 150 20 cycles max A3675, Deutsch DT series, 100 cycles max

## Physical

Function, Switch	Curvette Single Pole Single Throw
Cover	ABS Clear, UL 94 V2
Housing	Polyester PC/PBT, UL 94 V0
Base	Polyester PC/PBT, UL 94 V0
Internal Seals Cover	Silicone, Black
Connector Boot	Silicone, Red
Power Stud Insulator	Silicone, Red
Mounting Hardware	Use (3) 8-32 x 0.500" Screw, max torque
Power Stud	1/4 - 20 Material: Copper Alloy, Plating: Tin over Copper, 20 in-lb max torque
Connector	A3665, Molex MX150 12 pin, 0.110" terminal, mating part number: 33472-1201 A3675, Deutsch DT06-12S, 0.059" socket receptacle
Fuses	Use ATC standard
Fuse Puller	Part No: OptiFuse PUL-07
Dimensions	A3665 and A3675, 6.71"[170.4mm] x 4.79"[121.7mm] x 1.78"[43.9mm]
Regulatory Options	CE Jumper 6 AWG Wire, Ring Lugs, insulators – Part # 895-40314-001 Ring Lugs, 6 AWG Wire – Part # 632-40315-001 Insulator – 224-40569-001 Fuse Puller – 999-40313-001

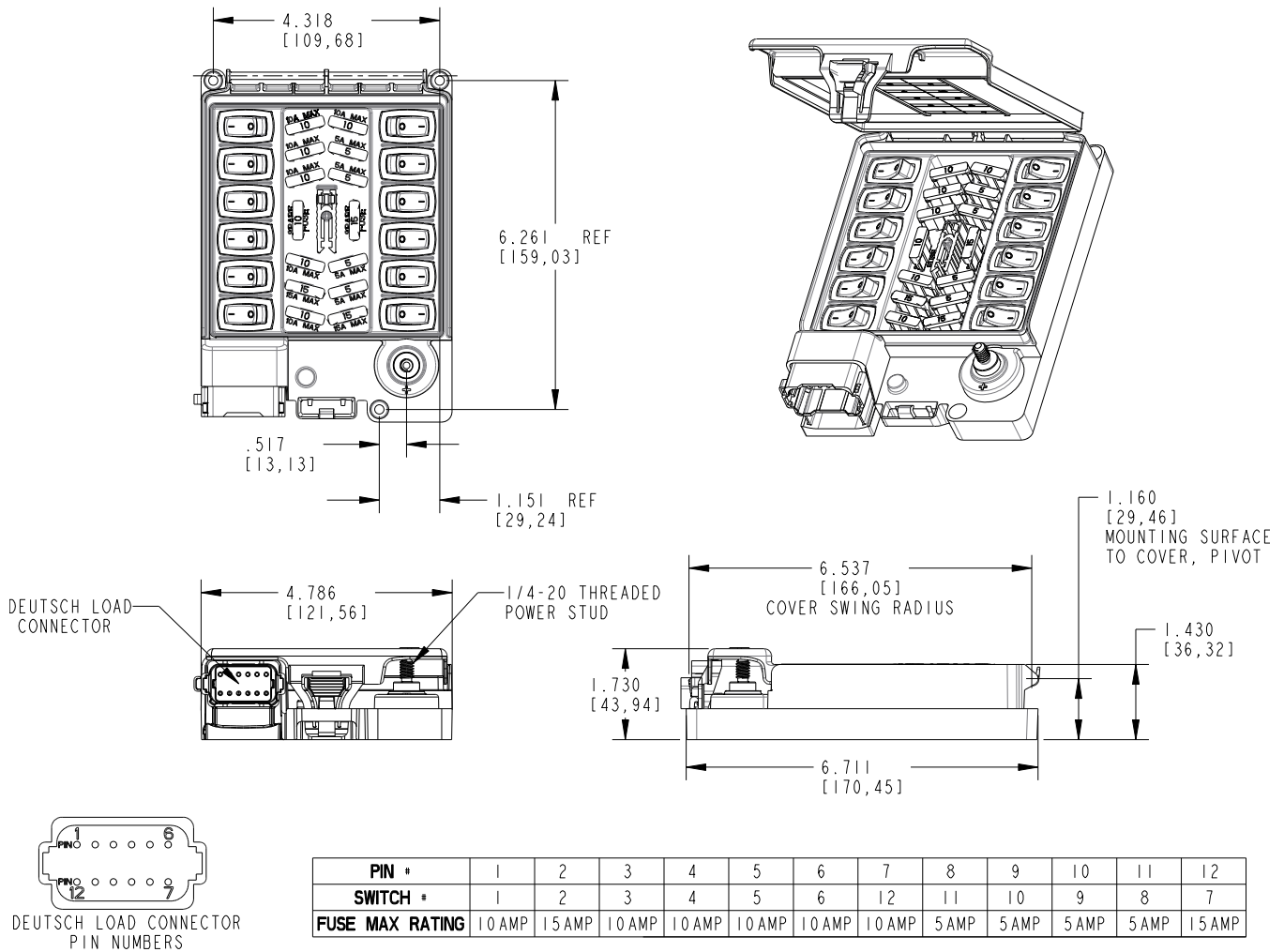
## Environmental

Temperature	Switch: -30C to +85C Unit: -30C to +70C Storage: -65C to +85C
Vibration	MIL-STD-202G, Method 204D, Test Condition A (10 G peak, Harmonic, 10Hz to 500Hz sweeps, 9 hours total 3 per axis)
Shock	MIL-STD-202G: Method 213B, Test Condition K (30 G, 11mS sawtooth wave)
Handling/Drop	SAE J1455, Section 4.11.3.1, 1 meter drop in each of three planes
Sealing	IEC 60529, IP53 cover closed, with load connector, or connector plug installed
Salt Atmosphere	MIL-STD-202G, Method 101, Test Condition A (96 hrs)
Thermal Shock	MIL-STD-202G, Method 107, Test Condition A (five cycles in air: -55C, +25C, +70C, +25C)
Moisture Resistance/Humidity	MIL-STD-202G, Method 106 (ten 24-hour stepped cycles)
Chemical Resistance	No loss of function after being brushed for 10 minutes, wetting all exposed surfaces for 24 hours.

Chemical	Concentration (by volume)
Gasoline	100%
Ethylene Glycol	50% in water
Ethanol/Methanol	10% in water
Diesel Fuel	100%

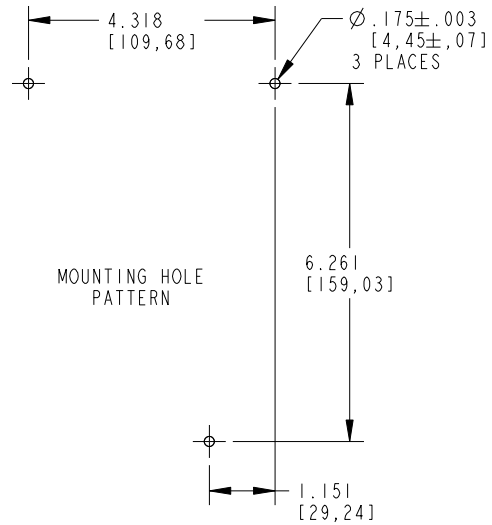
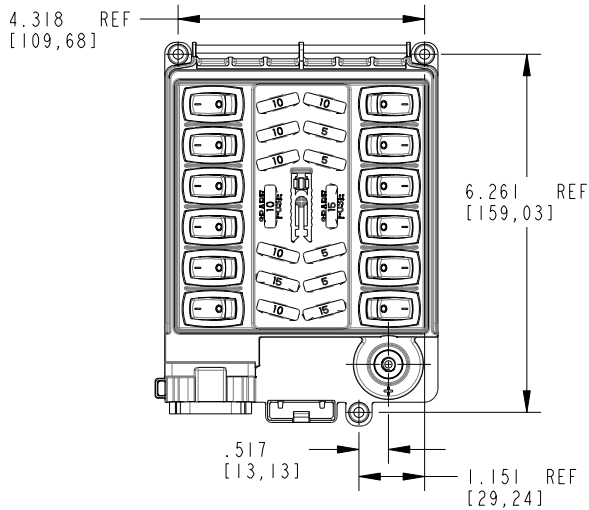
# Dimensional Specifications in. [mm]

## Deutsch Version (A3675)

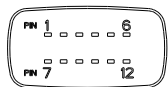
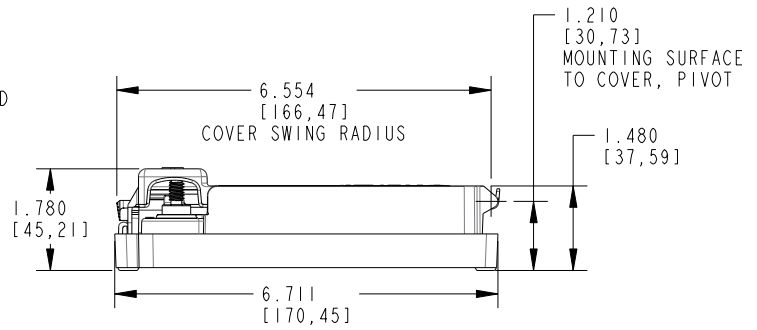
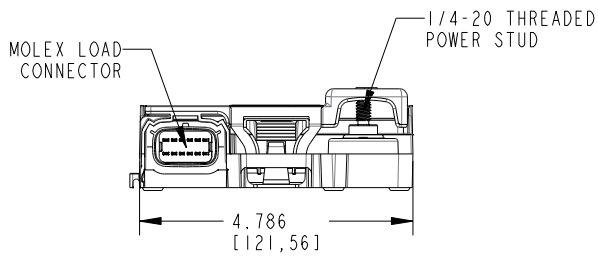


# Dimensional Specifications in. [mm]

## Molex Version (A3660)



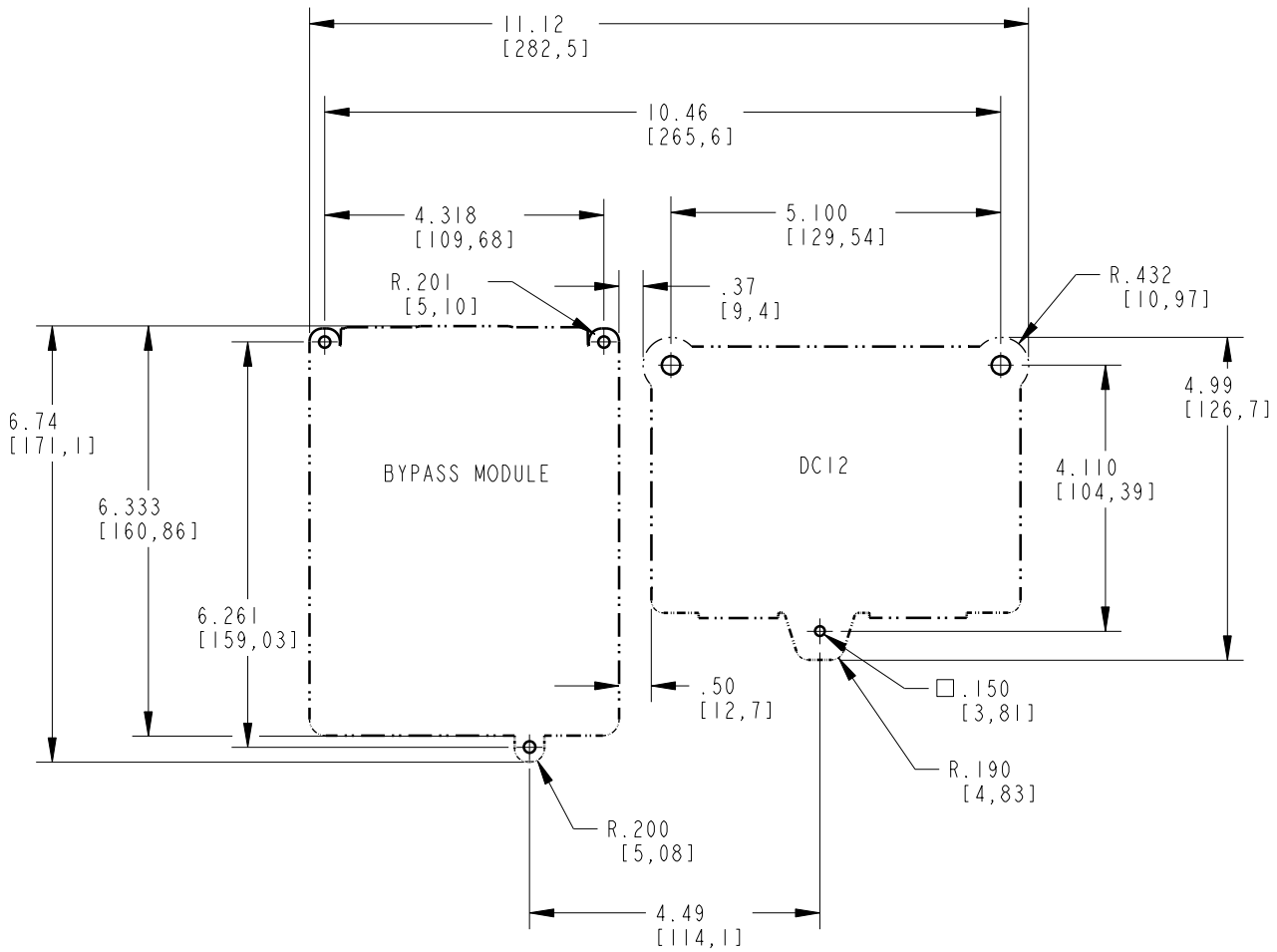
TOP VIEW SHOWN WITHOUT COVER AND DUST PLUG.  
MOUNTING HOLES FOR (3) #8 SCREWS



MOLEX LOAD CONNECTOR  
PIN NUMBERS

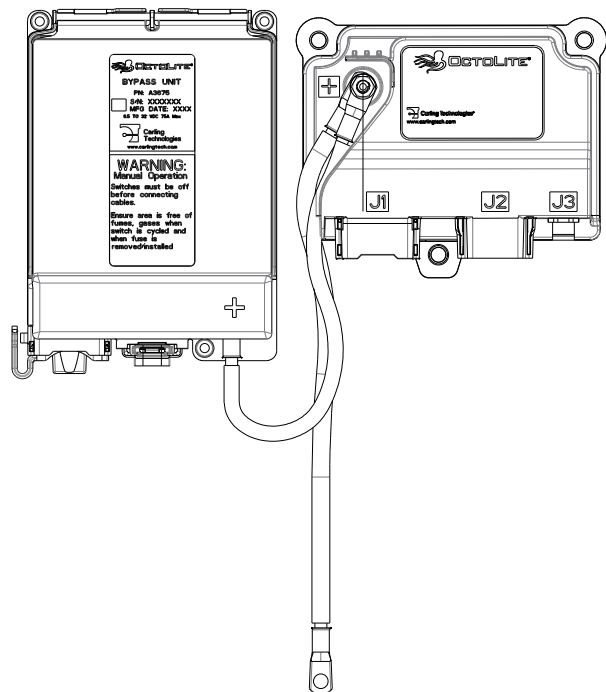
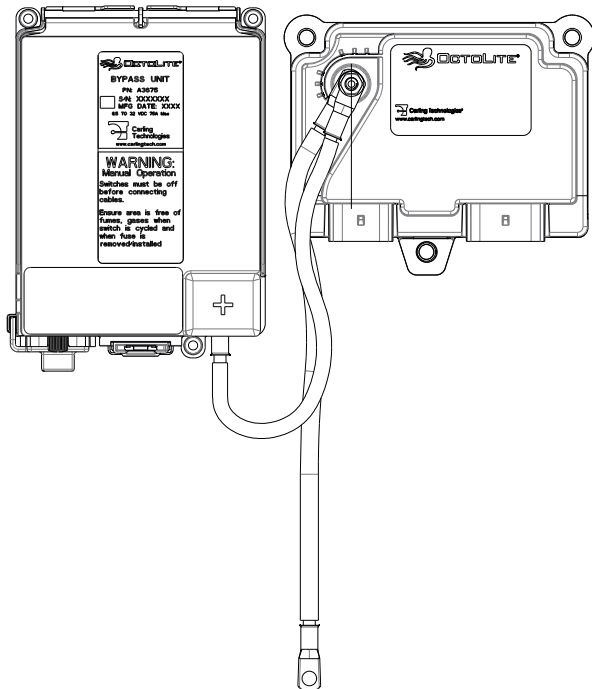
PIN #	1	2	3	4	5	6	7	8	9	10	11	12
SWITCH #	1	2	3	4	5	6	7	8	9	10	11	12
FUSE MAX RATING	10AMP	15AMP	10AMP	10AMP	10AMP	10AMP	15AMP	5AMP	5AMP	5AMP	5AMP	10AMP

# Dimensional Specifications in. [mm]



MOLEX CONNECTOR

DEUTSCH CONNECTOR



## **Worldwide Headquarters**

Carling Technologies, Inc.  
60 Johnson Avenue, Plainville, CT 06062  
**Phone:** 860.793.9281 **Fax:** 860.793.9231  
**Email:** sales@carlingtech.com

**Northern Region Sales Office:** nrsm@carlingtech.com  
**Southeast Region Sales Office:** sersm@carlingtech.com  
**Midwest Region Sales Office:** mrrsm@carlingtech.com  
**West Region Sales Office:** wrsm@carlingtech.com  
**Latin America Sales Office:** larsm@carlingtech.com

## **Asia-Pacific Headquarters**

Carling Technologies, Asia-Pacific Ltd.,  
Kowloon, Hong Kong  
**Phone:** Int + 852-2737-2277 **Fax:** Int + 852-2736-9332  
**Email:** sales@carlingtech.com.hk

**Shenzhen, China:** shenzhen@carlingtech.com  
**Shanghai, China:** shanghai@carlingtech.com  
**Pune, India:** india@carlingtech.com  
**Kaohsiung, Taiwan:** taiwan@carlingtech.com  
**Yokohama, Japan:** japan@carlingtech.com

## **Europe | Middle East | Africa Headquarters**

Carling Technologies LTD  
4 Airport Business Park, Exeter Airport,  
Clyst Honiton, Exeter, Devon, EX5 2UL, UK  
**Phone:** Int + 44 1392.364422 **Fax:** Int + 44 1392.364477  
**Email:** ltd.sales@carlingtech.com

**Germany:** gmbh@carlingtech.com  
**France:** sas@carlingtech.com

