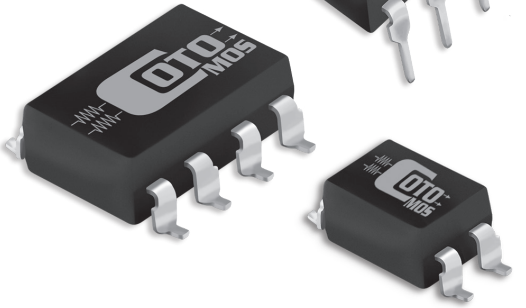


CotoMOS® CT232 / CS232 / CT332 / CS332

The CT232 / CS232 / CT332 / CS332 features current switching capability to 120mA with a low on resistance of 45Ω Maximum. Designed for Security, Industrial Controls, Measurement and Instrumentation applications the 32 Series relay is capable of handling 400V load conditions. If your requirements are different please contact your Coto Applications Engineer for assistance through www.cotorelay.com.

NEW! LOW CxR



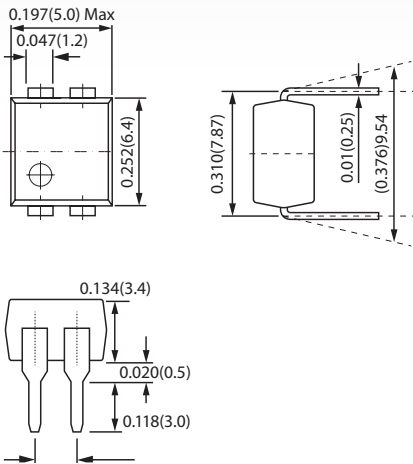
CT232 / CS232 / CT332 / CS332 Features

- ▶ Contact Form: 1A/2A
- ▶ Load Voltage: 400V Maximum
- ▶ Operation LED Current: 3.0mA Maximum
- ▶ Load Current: 120mA Maximum
- ▶ On-Resistance: 45Ω Maximum
- ▶ Output Capacitance: 35pF
- ▶ Low Off-State Leakage Current: 1.0μ A Maximum
- ▶ Suffix - H for DIP/SMD I/O Breakdown Voltage: 5000Vrms Minimum

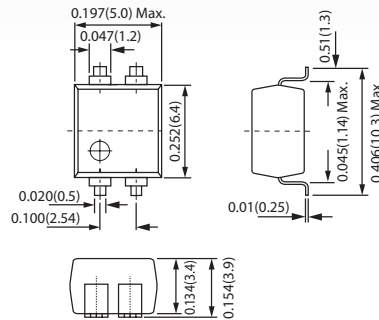
DIMENSIONS

in Inches (Millimeters)

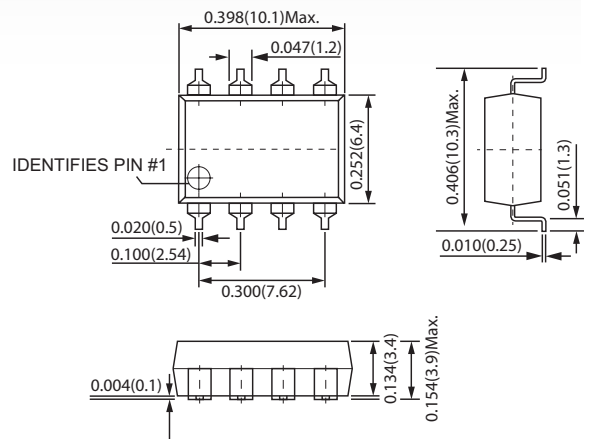
CT232



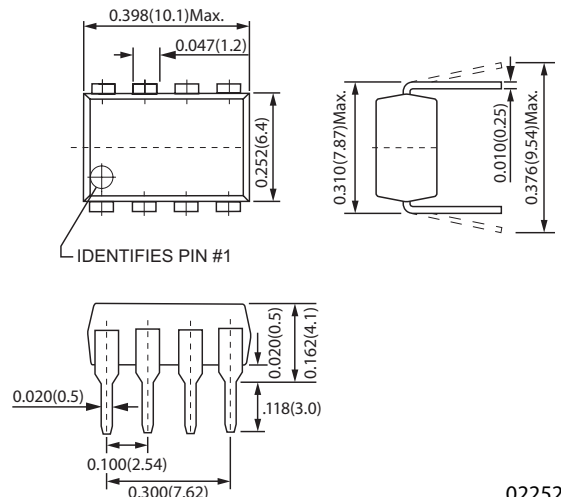
CS232



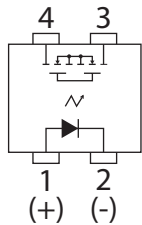
CS332



CT332

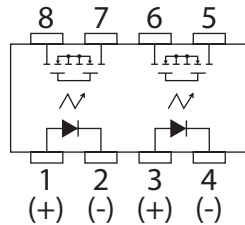


TERMINAL IDENTIFICATION



1: Anode (LED)
2: Cathode (LED)
3,4: Drain (MOSFET)

TERMINAL IDENTIFICATION



1,3: Anode (LED)
2,4: Cathode (LED)
5,6,7,8: Drain (MOSFET)

CT232 / CS232 / CT332 / CS332 MAXIMUM RATINGS (Ambient Temperature: 25°C)

Parameters	Symbol	Units	Value (DIP or SMD 4/8)
INPUT SPECIFICATIONS			
Continuous LED Current	I _F	mA	50
Peak LED Current	I _{FP}	mA	500
LED Reverse Voltage	V _R	V	5
Input Power Dissipation	P _{in}	mW	75
OUTPUT SPECIFICATIONS			
Load Voltage	V _L	V (AC peak or DC)	400
Load Current	I _L	mA	120 / 100
Peak Load Current	I _{Peak}	A	350 / 350
Output Power Dissipation	P _{Out}	mW	450 / 600
RELAY SPECIFICATIONS			
Total Power Dissipation	P _T	mW	500 / 650
I/O Breakdown Voltage	V _{I/O}	V _{rms}	3750
Operating Temperature	T _{opr}	°C	-40 ~ +85
Storage Temperature	T _{stg}	°C	-40 ~ +100

CT232/CS232 CT332/CS332 ELECTRICAL SPECIFICATIONS (Ambient Temperature: 25°C)

Parameters	Symbol	Test Conditions	Units	Min	Typ	Max
INPUT						
LED Forward Voltage	V _F	I _F =10mA	V	1.0	1.17	1.5
Operation LED Current	I _{F On}		mA		0.8	3.0
Recovery LED Voltage	V _{F Off}		V	0.5	1.0	
OUTPUT						
On-Resistance Drain to Drain	R _{On}	I _F =5mA, I _L =Rating Time to flow is within 1 sec.	Ω		32.0	45
Off-State Leakage Current	I _{Leak}	V _L =400V	μA			1.0
Output Capacitance	C _{Out}	V _L =0V, f=1MHz	pF		35	
TRANSMISSION						
Operate Time	T _{off}	I _F =10mA, I _L =Rating	ms		0.08	1.0
Recovery Time	T _{on}	I _F =10mA, I _L =Rating	ms		0.04	1.0
COUPLED						
I/O Insulation Resistance	R _{I/O}		Ω	10 ⁹		
I/O Capacitance	C _{I/O}	f=1MHz	pF		1.3	

Environmental Ratings:

Operating Temp: -40°C to +85°C; Storage Temp: -40 to +100 C.
All electrical parameters measured at 25° C unless otherwise specified.

32 SERIES GRAPHS

