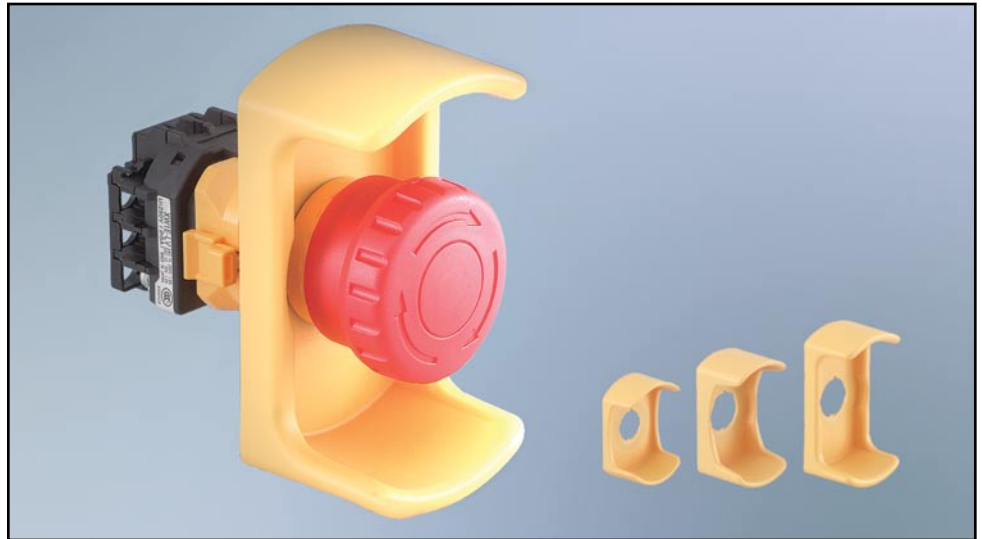




Highlights

- **NEW!** Switch Guards for 16mm XA E-Stops
- **Additional!** Switch guards for 22mm HW/XW E-Stops
- SEMI S2 Compliant
- Compact Size
- See below for part numbers & list prices



World's safest E-Stops Are Now Even Safer! NEW Switch Guards Available

What if you could make the World's safest Emergency Stop Switch even safer? IDEC has just released new switch guards that protect the E-Stop from accidental operation or damage. In addition, their bright yellow color makes them visible from a distance highlighting the E-Stop location. In an emergency you need the E-Stop to be easily seen and functioning!

The IDEC E-Stops, in combination with these new guards, are SEMI S2 compliant. This makes them perfect for the semi-conductor industry. What a good reason to visit

new customers or revisit existing customers for new opportunities!

The new guards are available for 22mm and 16mm E-Stop switches. The 22mm guards offer a smaller version that takes up less space on your panel. There is also an adaptor available that can be used to mount a XW E-Stop into a 30mm panel cut-out. The adaptor part number is XW9Z-A30EPN02. See reverse for dimensions and list price.

For more information visit our website at www.idec.com.

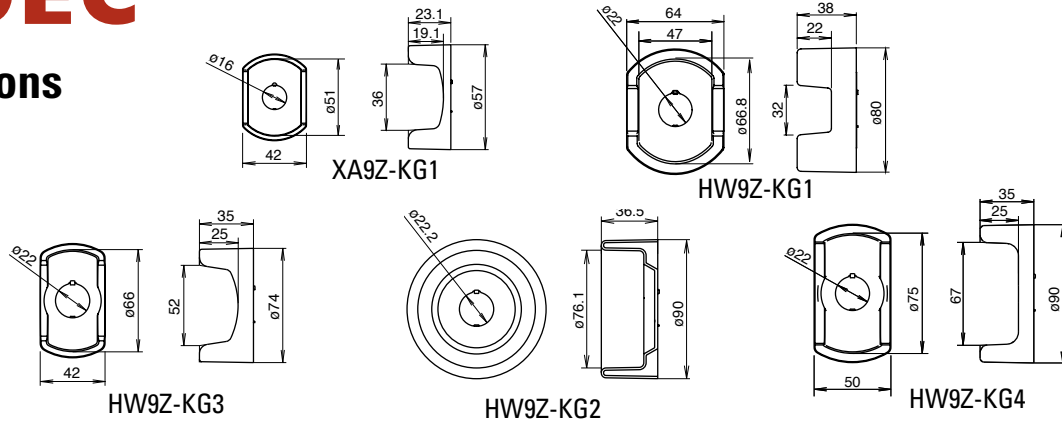
Part Numbers

Part Number	XA9Z-KG1	HW9Z-KG1	HW9Z-KG3	HW9Z-KG2	HW9Z-KG4
E-Stop Series	16mm XA	22mm HW & XW			
E-Stop Types	29mm & 40mm Mushroom Head	29mm & 40mm Mushroom Head		29mm, 40mm & 60mm Mushroom Heads	
Applicable Standards	SEMI S2 Compliant (Approved by TUV)	SEMI S2-0703, 12.5.1 Compliant	SEMI S2 Compliant (Approved by TUV)	SEMI S2-0703, 12.5.1 & SEMATECH Compliant	SEMI S2 Compliant (Approved by TUV) & SEMATECH
List Price	\$14.00	\$21.00	\$24.00	\$21.00	\$24.00

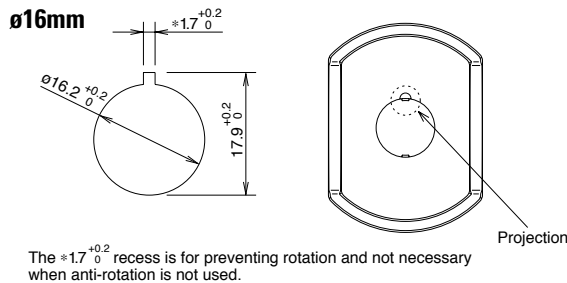
(continued on back)



Dimensions



Panel Cutouts

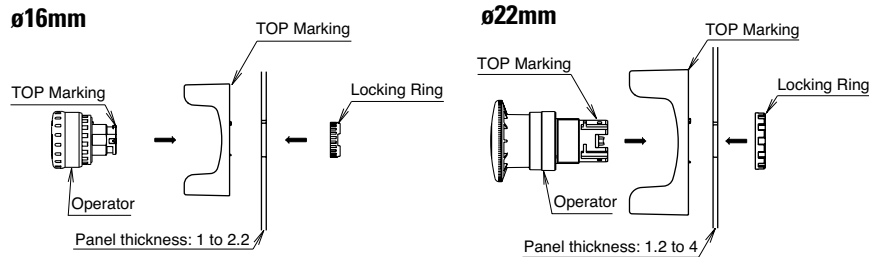


The $\pm 1.7^{+0.2}_0$ recess is for preventing rotation and not necessary when anti-rotation is not used.

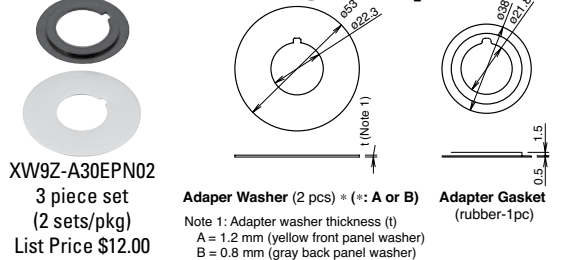
The $\pm 3.2^{+0.2}_0$ recess is for preventing rotation and not necessary when anti-rotation is not used.

When anti-rotation is not required or when the panel cut-out does not have anti-rotation recess, remove the projection using pliers.

Installation



30mm Mounting Adaptor



XA & XW E-Stops



- Lead-free (RoHS compliant)
- The depth behind the panel is only 48.7mm for 4 contacts (XW Series)
- IDEC's original "Safe Break Action" ensures the contacts open if the contact block is separated from the operator
- Pushlock Reset and Push-Pull in the same switch
- Available in illuminated & non-illuminated
- Degree of protection IP65 (IEC60529)
- Screw terminal is finger-safe (IP20)
- Two button sizes: 40mm and 60mm (XW Series)
- UL, c-UL Listed, CE marked (XA Series UL recognized)

HW E-Stops



Unibody Type

- Tamperproof construction
- All E-stops meet EN418 and are compliant with SEMI S2 standards
- Direct contact opening
- Incandescent or LED illumination available

Standard HW E-Stops

- Modular removable contact blocks
- Finger-safe IP20 contacts as standard, other terminal styles available
- Available assembled or as components
- Choice of black plastic or metallic front bezels
- Slow-make double-break self-cleaning contacts
- Safety yellow interlock system secures contacts

For more information, contact IDEC at: 800-262-IDEC (4332)

1175 Elko Drive • Sunnyvale, CA 94089

Fax: (408) 745-5258 • www.idec.com

©2006 IDEC Corporation. All Rights Reserved.