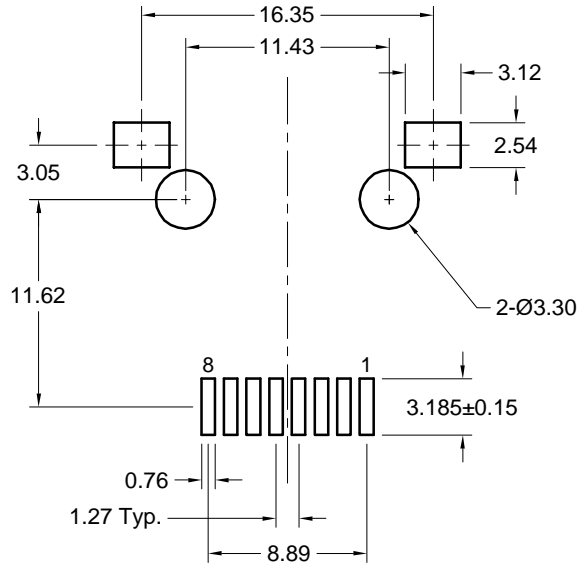
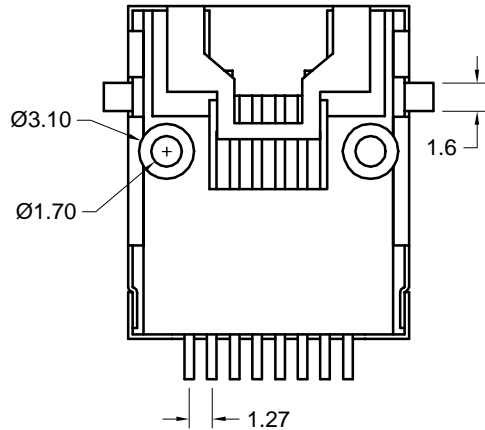


Recommended PCB Layout
(top view)



DETAIL A



| Part Number | t_gold | Packaging |
|--------------------|--------|-------------|
| GM-SMT2-S2-88 | Flash | Bulk |
| GM-SMT2-S2-88-50 | 50u" | Bulk |
| GM-SMT2-S2-88-TR | Flash | Tape & Reel |
| GM-SMT2-S2-88-50TR | 50u" | Tape & Reel |

Materials and Finish

Housing Material:
high temp. thermoplastic,
(reflow process compatible)
UL 94V-0 rated, black color

Oxygen Index: 36%

Poly Mass: 2.4 g

Recommended Reflow Temperature:
230°C for 30 seconds,
260°C max.

Design meets UL 1863 Sec. 8
Electrical Probe and Sec. 20
Child Finger test requirements

Shield Material:
copper alloy, 0.20mm thick,
nickel plated 90u" min,

Contact Material: phosphor bronze

Contact Plating Options:
Standard: 0.0001" Nickel
Plating, Selective Plating
Gold Flash on Contact
Area, Tin/Lead on Termination End

50: 0.0001" Nickel Plating,
Selective Plating 0.000050"
Gold on Contact Area to
Comply with FCC Requirements
Under No. 47 C.F.R. Part 68,
Subpart F, Tin/Lead on
Termination End

Electrical Characteristics

Insulation Resistance:
500 Megohms min.

Dielectric Withstanding Voltage:
1000V rms, 60Hz

Contact Resistance:
20 milliohms max.

Current Rating: 1.5 Amps

Durability Rating:
1000 mating cycles min.

Operating Temperature:
-40°C to +85°C

Electrical Performance

Category 5 100MHz Bandwidth Performance
Attenuation @ 100MHz less than 0.13dB
Performance meets near end crosstalk (NEXT)
Requirements of -40dB @ 100MHz per
EIA/TIA 568A in applications where UL
Approved Category 5 cable (GA27-3773-1)
is used

Shielded types offer 20dB shielding from
30MHz to 300MHz

| Tolerances |
|----------------------------|
| X.X ± 0.25 |
| X.XX ± 0.15 |
| Unless Stated Otherwise |



| REVISION | DATE | DESCRIPTION | DRAWN BY | CHECKED BY | UNITS |
|----------|---------|----------------|------------|-------------|---------|
| A6 | 4/17/02 | Ref ECD 02-044 | C. Leiva | | mm |
| A7 | 6/4/02 | Ref ECD 02-038 | REVISED BY | APPROVED BY | DATE |
| B1 | 7/15/02 | Ref ECD 02-072 | C. Leiva | K. Wallace | 7/27/97 |

GM-SMT2-S2-88

Right Angle Modular Jack, Shielded

8 position, 8 contacts, Surface Mount

