

Materials and Finish

Housing Material-
PBT Thermoplastic
UL 94V-0 Rated
Color: Black

Shield Material-
Copper Alloy, Tin Plated

Contact Material-
Phosphor Bronze

Contact Plating-
50 Option: 0.0001" Nickel Plating,
Selective Plating 0.000050"
Gold on Contact Area to
Comply with FCC Requirements
Under No. 47 C.F.R. Part 68,
Subpart F

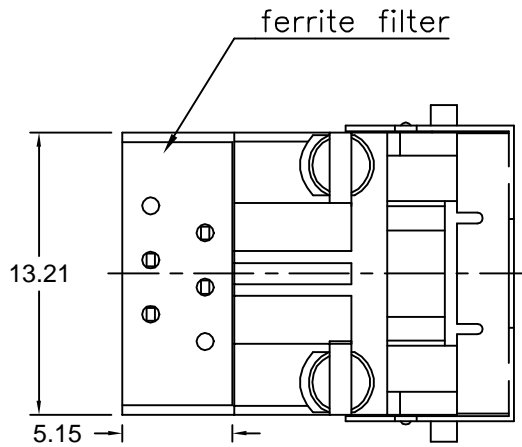
Electrical Characteristics

Insulation Resistance-
500 Megohms Min.

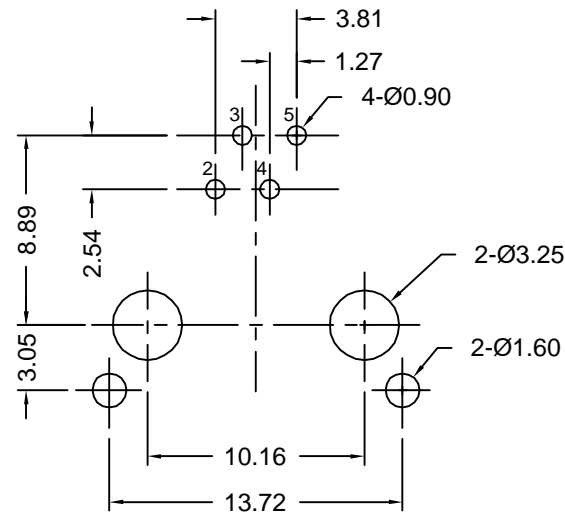
Dielectric Withstanding Voltage-
1000V rms, 60Hz

Contact Resistance-
20 milliohms Max.

Current Rating-
1.5 Amps



**Recommended PCB Layout
(Top View)**



Tolerances

X.X ± 0.25
X.XX ± 0.15
Unless Stated
Otherwise



REVISION	DATE	DESCRIPTION	DRAWN BY	DESIGNED BY	UNITS
A0	6/11/01	New Drawing	E. Cruz		mm
A1	6/14/01	Rel Drawing	CHECKED BY	APPROVED BY	DATE
A2	8/27/01	Ref ECD 01-150	K. Wallace		6/11/01

GDLF-S-64-50

Ferrite Shielded Mod. Jack, 6 pos. 4 contacts
Flat Grounding Flaps

