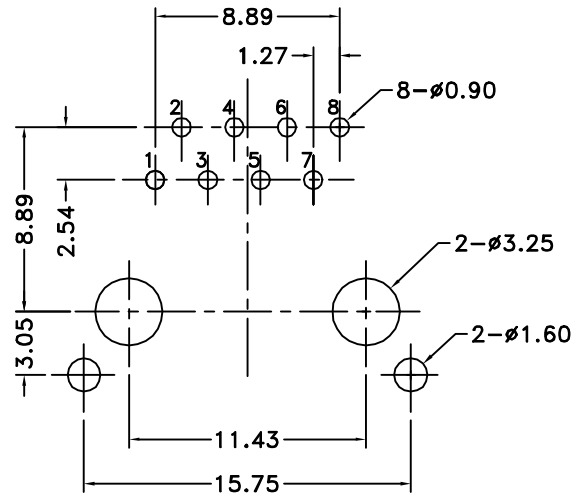
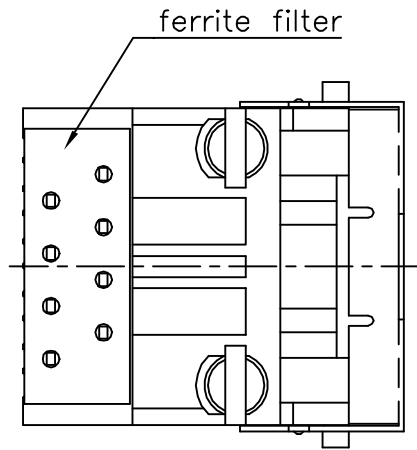


PCB LAYOUT/TOP VIEW



| Part Number | Contact Plating Finish |
|--------------|------------------------|
| GDLF-S-88-50 | 50u" Gold |

Materials and Finish

Housing Material-
PBT Thermoplastic
UL 94V-0 Rated
Color: Black

Shield Material-
Copper Alloy- Tin or Nickel Plated

Contact Material-
Phosphor Bronze

Contact Plating-
50 Option: 0.0001" Nickel Plating,
Selective Plating 0.00050"
Gold on Contact Area to
Comply with FCC Requirements
Under No. 47 C.F.R. Part 68,
Subpart F

Electrical Characteristics

Insulation Resistance-
500 Megohms Min.

Dielectric Withstanding Voltage-
1000V rms, 60Hz

Contact Resistance-
20 milliohms Max.

Current Rating-
1.5 Amps

| Ferrite Specifications | |
|------------------------|-----------|
| Test Frequency | Impedance |
| 1 Mhz | 1 ohm |
| 10 Mhz | 7 ohms |
| 30 Mhz | 13 ohms |
| 50 Mhz | 16 ohms |
| 100 Mhz | 21 ohms |

CSA NRTL/C Certified File No. LR78160

| REVISION | DATE | DESCRIPTION | DRAWN BY | DESIGNED BY | UNITS |
|----------|---------|---|------------|-------------|----------|
| A03 | 12/6/00 | Modify Dimms. | C. Leiva | | mm |
| A04 | 1/15/01 | reverse & correct boardack orientation on botton view, change shield plating to tin or nickel | CHECKED BY | APPROVED BY | DATE |
| A1 | 8/27/01 | Ref ECO 01-150 | | | 10/22/00 |

GDLF-S-88-50

Shielded Mod. Jack, 8 pos. 8 contacts

Flat Grounding Flaps, Ferrite Filtered

