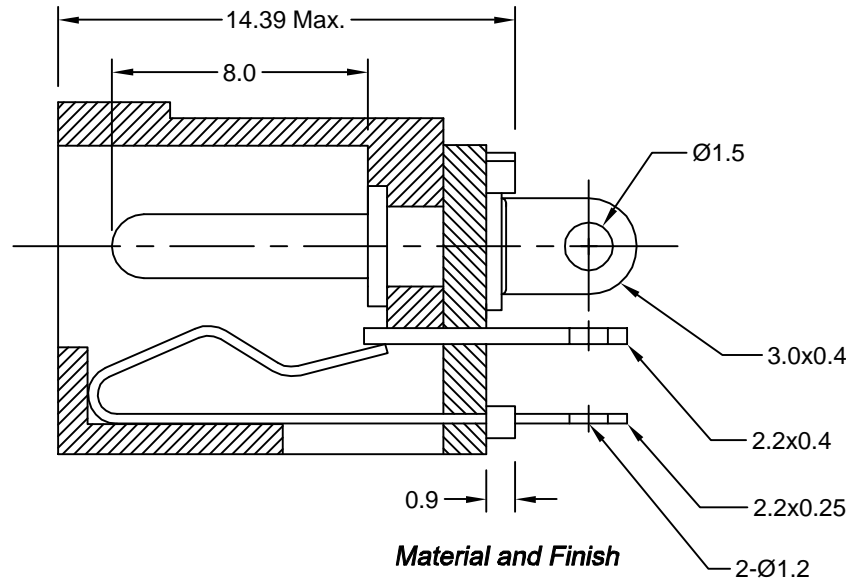
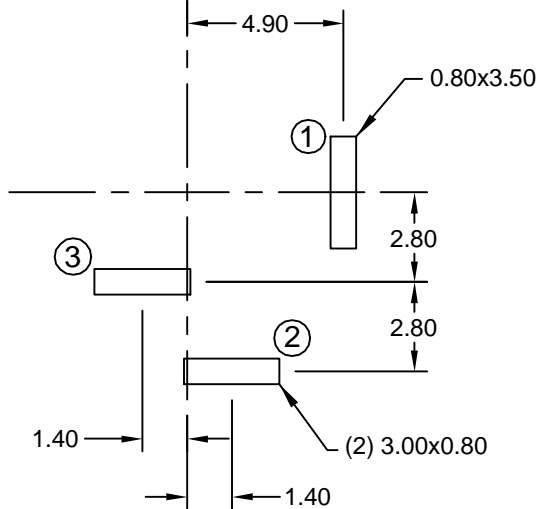


Recommended PCB Layout (Bottom View)



Mechanical Characteristics

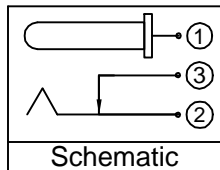
Durability Test: 5000 cycles
 Insertion Force: 0.3kg-2.0kg
 Extraction Force: 0.3kg-2.0kg
 Operating Temp: -25°C to +85°C

Electrical Characteristics

Contact Resistance
 Before Test
 Between Terminals: 30 milliohms Max.
 Plug to Contacts: 50 milliohms Max.
 After Test:
 Between Terminals: 60 milliohms Max.
 Plug to Contacts: 100 milliohms Max.
 Rated Voltage: 24V DC
 Rated Current: 3.5 Amps
 Insulation Resistance: 100 Megohms Min. (initial)
 50 Megohms Min. (after humidity test)
 Dielectric Withstanding Voltage:
 500V AC for 1 minute

Material and Finish

Body: PBT Thermoplastic
 UL94V-0 Rated, Color: Black
 Center Pin: Brass, Nickel Plated
 Contact #1: Brass, Tin Plated
 Contact #2: Phosphor Bronze, Tin Plated
 Contact #3: Brass, Tin Plated



Tolerances	
X.X	± 0.25
X.XX	± 0.1
Angles ± 2°	
Unless Specified Otherwise	

Part Number	Center Pin Diameter
KLDV-0202-A	Ø2.00
KLDV-0202-B	Ø2.50

REVISION	DATE	DESCRIPTION	DRAWN BY	CHECKED BY	UNITS
D1	2/12/01	Mod Dimensions	K. Wallace		mm
D2	3/26/01	ECO 01-055	REVISED BY	APPROVED BY	DATE
D3	8/14/01	ECO 01-144	C. Leiva		1/13/00

KLDV-0202-x
 x = A for 2.0mm, B for 2.5mm

Power Jack, Vertical, PCB Mount
 Ø2.0mm & Ø2.5mm Center Pin

