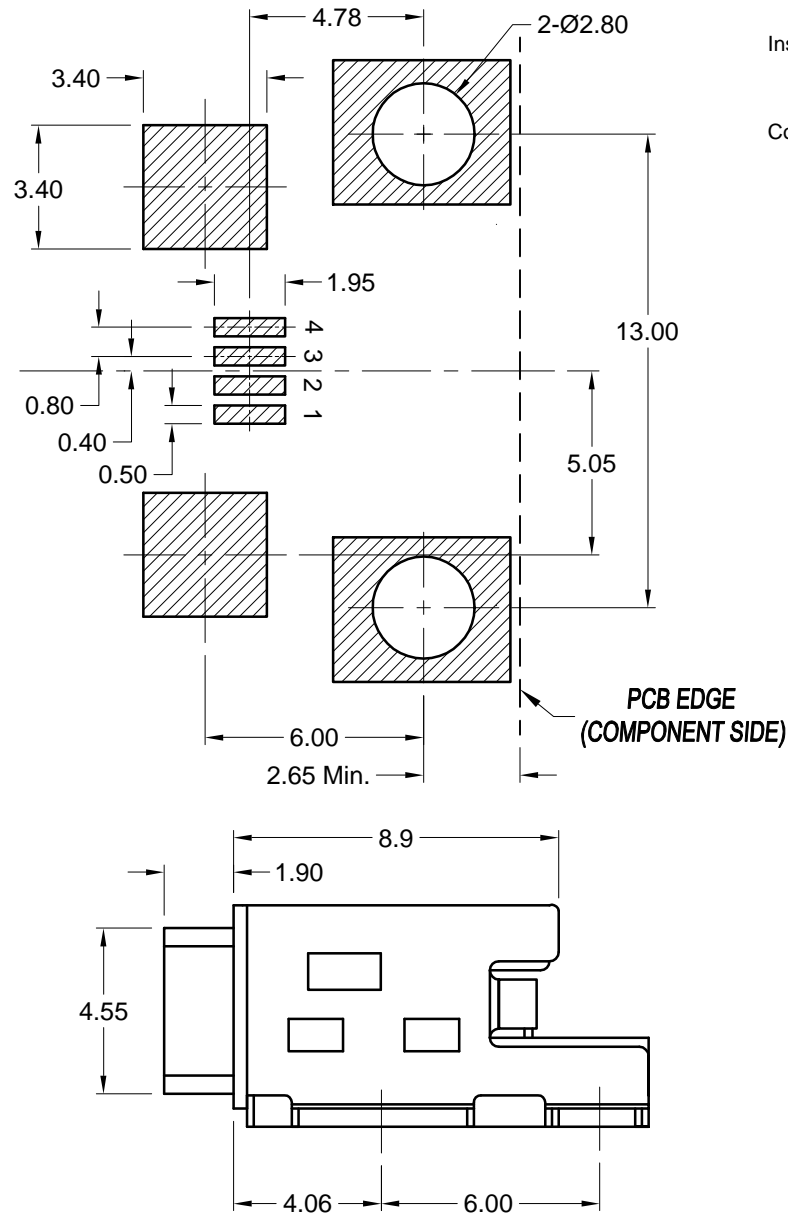


Recommended PCB Layout
(top view)



PCB EDGE
(COMPONENT SIDE)

Materials and Finish

Shell: Stainless Steel,
Tin-Lead Plated
Insulator: UL94V-0 Rated
PA6T High Temp. Thermoplastic
Color- Black
Contacts: Phosphor Bronze
Plating- 0.76um (30u")
Gold on Contact Area,
3.8um (150u") Tin/Lead
on Solder Tail, all over
1.27um (50u") Nickel

Mechanical Specifications

Durability: >1000 cycles
Mating Force:
20 Newtons maximum
Withdrawal Force:
5 Newtons minimum

Electrical Specifications

Voltage Rating:
30VAC (rms)
Current Rating:
1A max. per contact not
to exceed 30°C Temp. rise
Dielectric Withstanding Voltage:
750VAC @ sea level
Capacitance:
2pF maximum
Contact Resistance:
less than 30 milliohms
per contact pair after
1500 mating cycles.
Insulation Resistance:
Greater than 100 Megohms
Operating Temperature:
-55°C to + 85°C



Tolerances	
X.X ± 0.25	
X.XX ± 0.15	
Unless Stated	
Otherwise	

REVISION	DATE	DESCRIPTION	DRAWN BY	REV CHECK BY	UNITS
A3	11/30/01	Ref ECD 01-226	M. Ylu	T. Gokcek	mm
A4	3/13/02	Ref ECD 01-216	REVISED BY	CHECK DATE	DATE
A5	4/21/03	ECD #03-0160	C. Leiva	4/21/03	10/9/01

KMFS-SMT-200B-30

4-pin Firewire IEEE 1394 Socket
SMT, Black, 30u"

