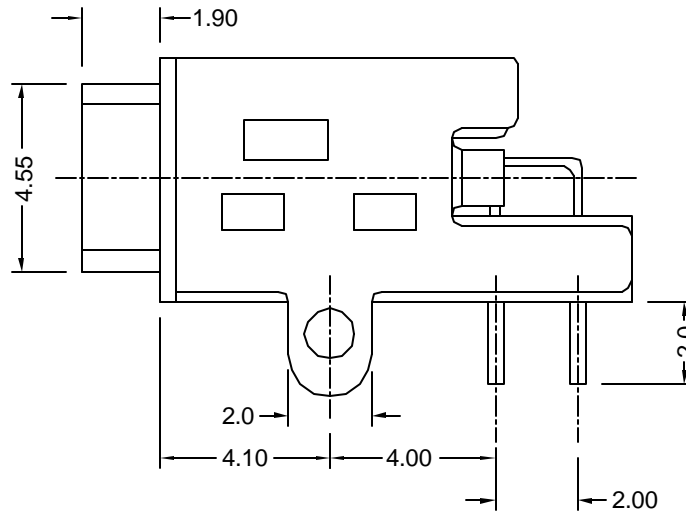
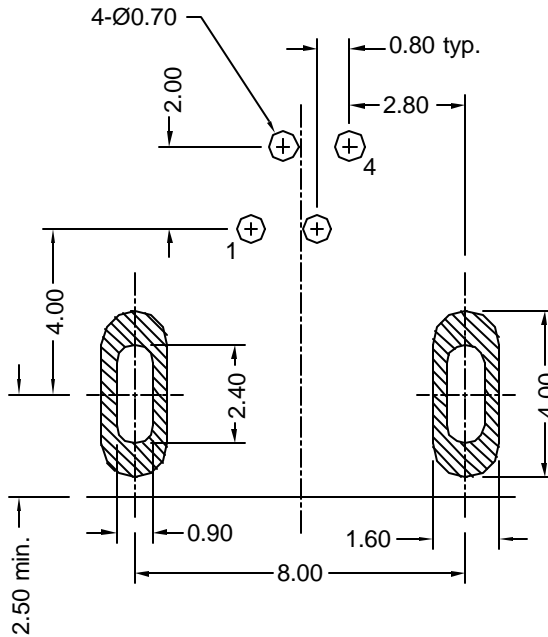


**Recommended PCB Layout  
(top view)**



**Materials and Finish**

Shell: Stell, Stainless Steel  
Tin/Lead Plating

Insulator: UL94V-0 Rated  
PBT Thermoplastic  
Color- Black

Contacts: Phosphor Bronze  
Plating- 0.76um (30u")  
Gold on Contact Area,  
3.8um (150u") Tin/Lead  
on Solder Tail, all over  
1.27um (50u") Nickel

**Mechanical Specifications**

Durability: >1000 cycles  
Mating Force:  
20 Newtons maximum  
Withdrawal Force:  
5 Newtons minimum

**Electrical Specifications**

Voltage Rating: 30VAC (rms)  
Current Rating:  
1A max. per contact not  
to exceed 30°C Temp. rise  
Dielectric Withstanding Voltage:  
750VAC @ sea level  
Capacitance:  
2pF maximum  
Contact Resistance:  
less than 30 milliohms  
per contact pair after  
1500 mating cycles.  
Insulation Resistance:  
Greater than 100 Megohms  
Operating Temperature:  
-55°C to + 85°C



Tolerances	
X.X ± 0.25	
X.XX ± 0.15	
Unless Stated Otherwise	

REVISION	DATE	DESCRIPTION	DRAWN BY	CHECKED BY	UNITS
A0	8/13/01	New Drawing	M. Yiu		mm
A1	10/5/01	Add Specs	REVISED BY	APPROVED BY	DATE
A2	11/1/01	Ref ECD#01-209	M. Yiu	K. Wallace	8/13/01

KMFS-PR-200B-30

4-pin Firewire IEEE 1394a Socket

Right Angle, Black, 30u" Au, For 0.8mm PCBs

