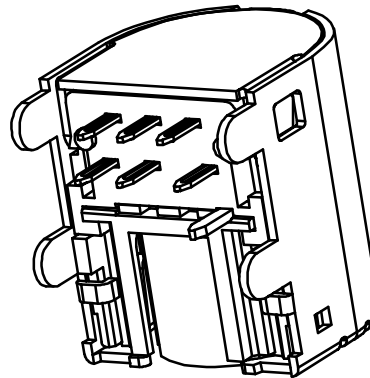
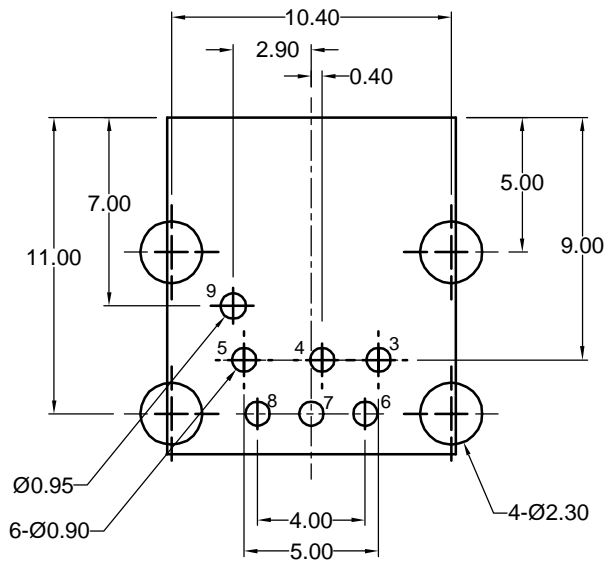


Recommended PCB Layout
<Bottom View>



Material and Finish

Body: PBT Thermoplastic,
UL94V-0 Rated

Color: Black

Contacts: Phosphor Bronze
Gold Flash on Contacts,
Tin/Lead on Termination

Shield: SPCC, Tin Plated

Electrical Characteristics

Contact Resistance:
Before Durability Test:
Plug to Shield: 50 Milliohms Max.
Plug to Contacts: 30 Milliohms Max.

After Durability Test:
Plug to Shield: 100 Milliohms Max.
Plug to Contacts: 60 Milliohms Max.

Insulation Resistance:
50 Megohms Min.

Dielectric Withstanding Voltage:
500V AC RMS For 1 Minute

Current Rating:
2 Amps at 12V DC

Mechanical Characteristics

Durability: 500 Cycles Min.
Insertion Force: 0.4kg ~ 4.5kg
Extraction Force: 0.4kg ~ 4.5kg
Operating Temperature: -25°C to +85°C

Tolerances

X.X ± 0.25
X.XX ± 0.15
Unless Stated
Otherwise



| REV. | DATE | DESCRIPTION | REV. BY | CHK. BY | DRAWN BY | DATE |
|------|----------|-----------------|------------|------------|----------|----------|
| A0 | 04/26/02 | New Drawing | M. Yiu | K. Wallace | M. Yiu | 04/26/02 |
| A1 | 06/26/02 | Release DWG | M. Yiu | K. Wallace | | |
| A2 | 8/1/02 | Ref. ECO 02-082 | K. Wallace | K. Wallace | | |
| | | | | | | |
| | | | | | | |

KMDR-GEO-7S-BS

UNITS
mm

Mini-DIN, 7 Pos, GEO Type
Right Angle, Fully Shielded, Rounded

