

**Material and Finish**

Body: PBT Thermoplastic,  
UL94V-0 Rated

Color: Black

Contacts: Phosphor Bronze  
Gold Flash on Contacts,  
Tin/Lead on Termination

Shield: SPCC, Tin Plated

**Electrical Characteristics**

Contact Resistance:

Before Durability Test:

Plug to Shield: 50 Milliohms Max.  
Plug to Contacts: 30 Milliohms Max.

After Durability Test:

Plug to Shield: 100 Milliohms Max.  
Plug to Contacts: 60 Milliohms Max.

Insulation Resistance:

50 Megohms Min.

Dielectric Withstanding Voltage:

500V AC RMS For 1 Minute

Current Rating:

2 Amps at 12V DC

**Mechanical Characteristics**

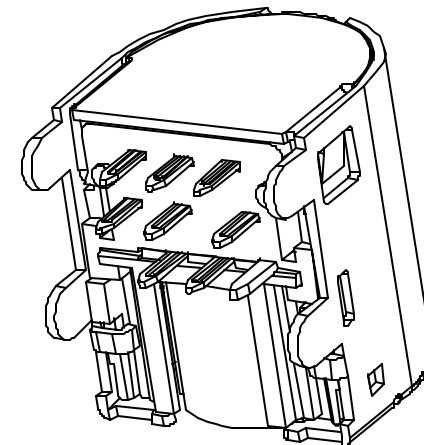
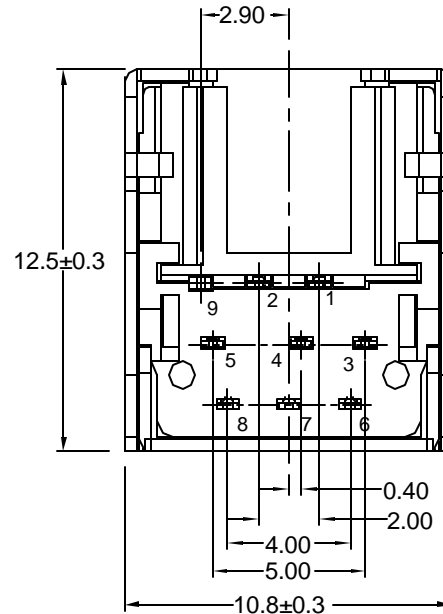
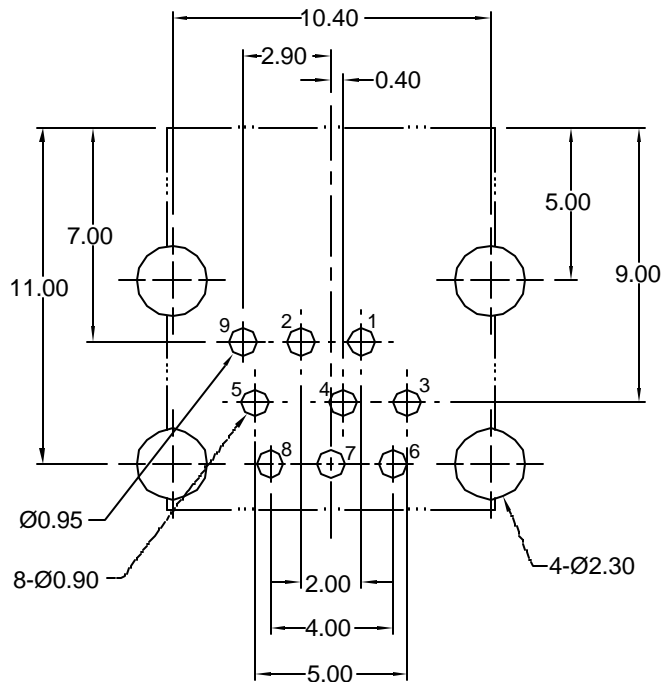
Durability: 500 Cycles Min.

Insertion Force: 0.4kg ~ 4.5kg

Extraction Force: 0.4kg ~ 4.5kg

Operating Temperature: -25°C to +85°C

Recommended PCB Layout  
<Bottom View>

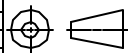


C US LR78160

Tolerances

X.X ± 0.25  
X.XX ± 0.15  
Unless Stated  
Otherwise

REV.	DATE	DESCRIPTION	REV. BY	CHK. BY	DRAWN BY	DATE
A0	04/26/02	New Drawing	M. Yiu	K. Wallace	M. Yiu	04/26/02
A1	07/15/02	Release Drawing	M. Yiu	K. Wallace		
A2	8/1/02	Ref. ECO 02-082	K. Wallace	K. Wallace		
A3	11/4/04	Ref. ECO 04-062	C. Leiva	C. Furumasu		



UNITS  
mm

**KMDR-GEO-9S-BS**

**Mini-DIN, 9 Pos, GEO Type**

**Right Angle, Fully Shielded, Rounded**

