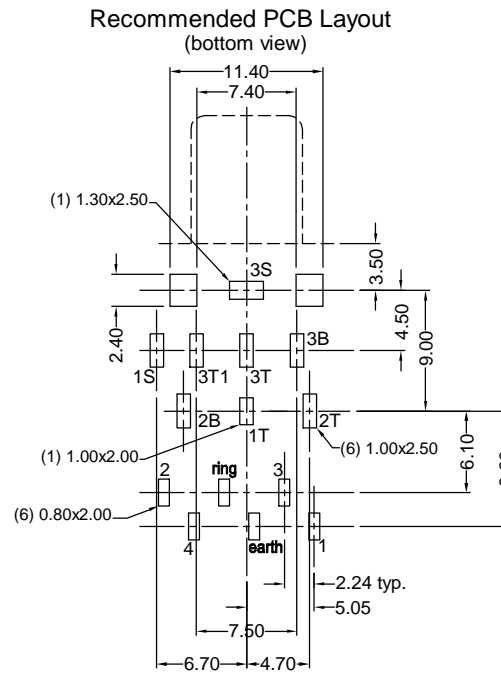


Part Number	Switch Locations A/B/C
KLPM42-4T-YWR-222	None
KLPM42-4T-YWR-223	C only
KLPM42-4T-YWR-233	B and C only
KLPM42-4T-YWR-323	A and C only



Material and Finish

Insulator: ABS Thermoplastic,
UL94-HB Rated, Black Color

RCA Jack Color:
Jack A: Yellow (ABS)
Jack B: White (ABS)
Jack C: Red (ABS)

RCA Barrel, Pin R1: SPCC,
Nickel Plated

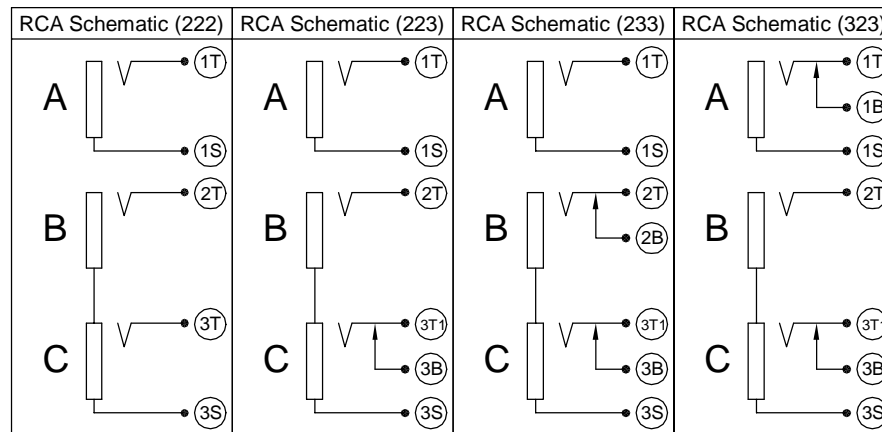
RCA Pin R2, R2A: Brass, Tin-Lead plated
on termination end, Silver plated on contact

Mini-DIN Shell: Brass, Nickel Plated

Mini-DIN Contacts: Phosphor Bronze,
Tin-Lead Plated

Electrical Specifications:

Operating Temperature:
-25°C to +70°C



*PCB holes only needed in locations listed in the schematic needed (shown above)

Tolerances

X.X ± 0.25
X.XX ± 0.15
Unless Stated
Otherwise

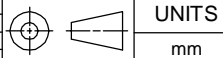


REV.	DATE	DESCRIPTION	REV. BY	CHK. BY	DRAWN BY	DATE
A0	6/25/02	New Drawing	K. Wallace	K. Wallace	K. Wallace	6/25/02
A1	7/3/02	Release DWG	M. Yiu	K. Wallace	K. Wallace	
B1	8/15/02	Revise Specifications	K. Wallace	K. Wallace	K. Wallace	

KLPM42-4T-YWR-xxx

Vertical Stacked RCA with Mini-din Combo

4pos. mini-DIN/3 RCA jacks, right angle, thru-hole



UNITS
mm