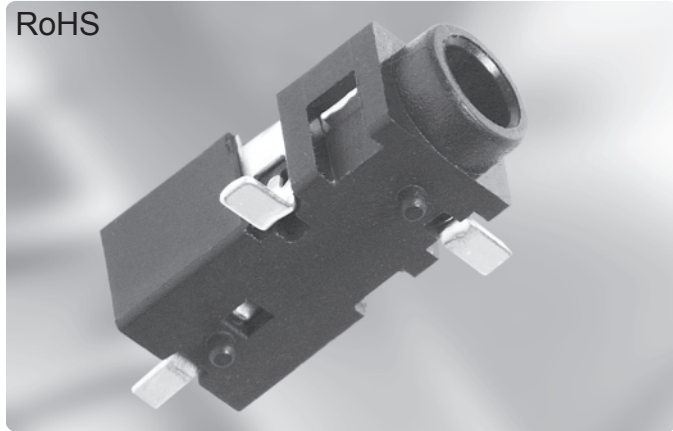


RoHS



STX-2000/STX-2500 Series 2.5mm Audio Jack

Features




- Audio Applications for Computers and Multimedia
- Through Hole and Surface Mount Designs
- CSA/NRTL Certified File No. LR78160

Performance Specifications

Materials and Finish

Housing

STX-2000: PBT Thermoplastic, Black Color UL94V-0 Rated 
STX-2500: High Temperature Thermoplastic, Black Color
UL94V-0 Rated

Terminals

Copper Alloy, Silver over Nickel Plating

Mechanical Characteristics

Insertion Force: 0.4kg - 3.0kg

Extraction Force: 0.3kg - 3.0kg

Durability: 5000 Mating Cycles

Electrical Characteristics

Contact Resistance

Before Durability Test

50 Milliohms Max.

After Durability Test

100 Milliohms Max.

Insulation Resistance: 100 Megohms Min. at 250V DC

Operating Temperature: -25°C to +80°C

AUDIO JACKS

STX-2000 / STX-2500 Series

Ordering Information

STX-2500	-	3	-	N	-	
Series		Number of Pins		Packaging		

Series

STX-2000 - 2.5mm Through Hole Audio Jack

STX-2500 - 2.5mm Surface Mount Audio Jack

Number of Pins

3 - 3 Pins

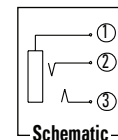
Packaging

Blank - Bulk

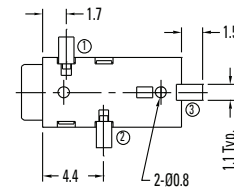
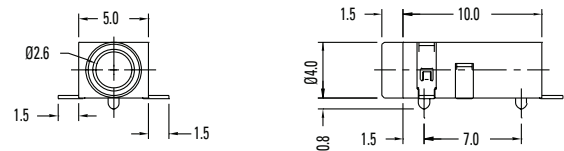
TR - Tape and Reel (STX-2500 only)

Dimensions

Dimensions in mm



STX-2500-3N



STX-2000-3N

