

**STX-3120 Series**  
**3.5mm Audio Jack**  
**All Plastic PCB Mount**

**Features**



- Audio Applications for Computers and Multimedia
- Can Be Used To Activate Speakers, an Equalizer or to Configure the Audio Signal
- Available with One Double-Pole Single-Throw Switch
- CSA/NRTL Certified File No. LR78160

**Performance Specifications**

**Materials and Finish**

**Plastic Housing**

PBT Thermoplastic, UL94V-0 Rated, Black Color  
(Other Colors Available)



**Terminals**

Copper Alloy, Nickel Plating

**Mechanical Characteristics**

**Insertion Force** 0.4kg - 3.0kg

**Extraction Force** 0.3kg - 3.0kg

**Durability**

5000 Mating Cycles

**Electrical Characteristics**

**Contact Resistance**

*Before Durability Test*

50 Milliohms Max.

*After Durability Test*

100 Milliohms Max.

**Insulation Resistance**

100 Megohms Min. at 500V DC

**Dielectric Strength**

500V AC RMS for 1 Minute

**Operating Temperature**

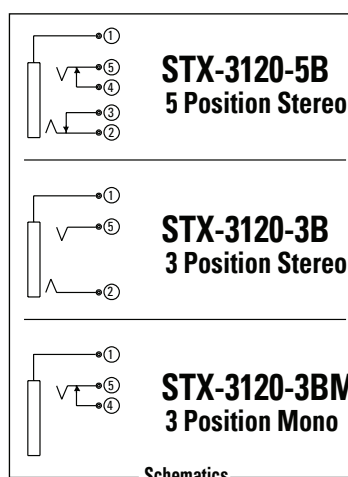
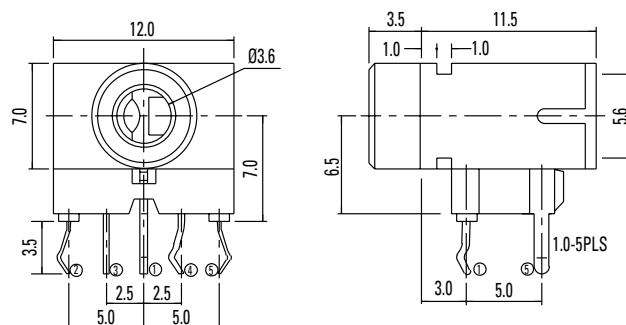
-25°C to +85 °C

**AUDIO JACKS**

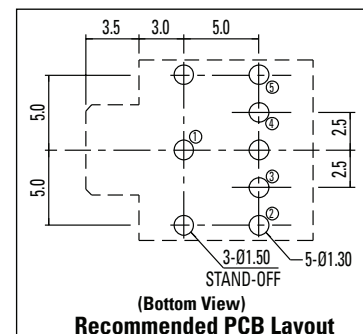
**STX-3120 Series**

**STX-3120 Series Dimensions**

Dimensions in mm



Schematics



(Bottom View)  
Recommended PCB Layout