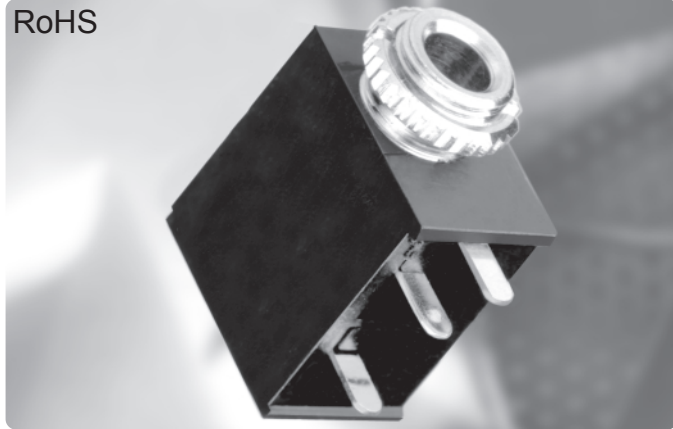


RoHS



## STX-314/STX-315 Series PCB Mount 3.5mm Jack Slim Design with Switch

### Features



- Audio Applications for Computers and Multimedia
- Can be Used to Activate Speakers, an Equalizer or to Configure the Audio Signal
- Up to One Double-Pole Single-Throw Switch
- Spring Loaded Contacts for High Contact Reliability
- Narrow Body Uses Minimal Board Space
- CSA/NRTL Certified File No. LR78160

### Performance Specifications Materials and Finish

#### Audio Jack



Housing: PBT Thermoplastic, Black Color, UL94V-0 Rated  
Cover: PBT Thermoplastic, UL94V-0 Rated  
Bushing: Brass, Nickel Plated  
Terminals and Contacts: Phosphor Bronze, Tin Plated  
Coil Springs: Spring Steel

### Mechanical Characteristics

#### Insertion Force

0.4kg - 3.0kg

#### Extraction Force

0.3kg - 3.0kg

#### Durability

5000 Mating Cycles

## AUDIO JACKS

## STX-314 / STX-315 Series

### Ordering Information

STX-3140	-	3	N
Series		Number of Pins	Options

#### Series

STX-3140 - Crimped Leads, Black Cover  
STX-3141 - Crimped Leads, Clear Cover  
STX-3150 - Straight Leads, Black Cover  
STX-3151 - Straight Leads, Clear Cover

#### Number of Pins

3 - 3 Pins  
5 - 5 Pins

#### Options

C - Threaded Barrel  
N - Non-Threaded Barrel  
CM - Threaded Barrel, Mono  
NM - Non-Threaded Barrel, Mono

### Electrical Characteristics

#### Contact Rating

DC 16V at 0.3 Amps

#### Contact Resistance

*Before Durability Test*

To Terminals: 30 Milliohms Max.

To Sleeve: 50 Milliohms Max.

*After Durability Test with Mating Plug*

To Terminals: 60 Milliohms Max.

To Sleeve: 100 Milliohms Max.

#### Insulation Resistance

100 Megohms Min. at 500V DC

#### Dielectric Strength

500V AC RMS for 1 Minute

#### Temperature Rating

Operating Temperature: -25°C to +85 °C

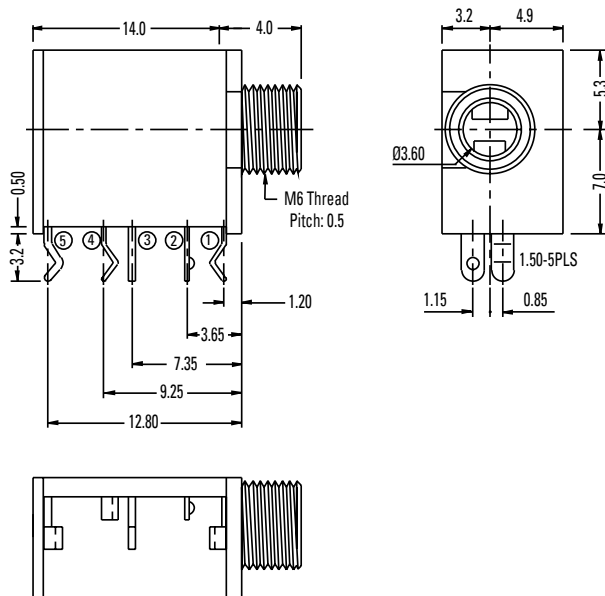
### STX-314 and STX-315 Series Dimensions

Dimensions in mm

#### STX-3140 (Black Side Cover)

#### STX-3141 (Clear Side Cover)

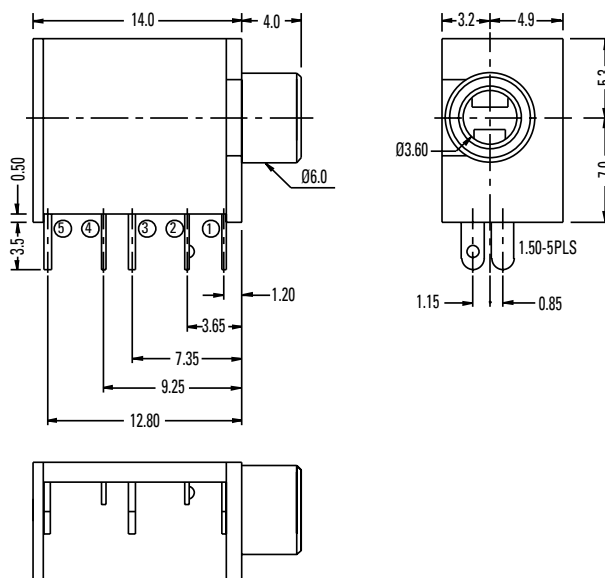
Crimped Leads (shown with Threaded Bushing)



#### STX-3150 (Black Side Cover)

#### STX-3151 (Clear Side Cover)

Straight Leads (shown with Non-Threaded Bushing)



## AUDIO JACKS

## STX-314 / STX-315 Series

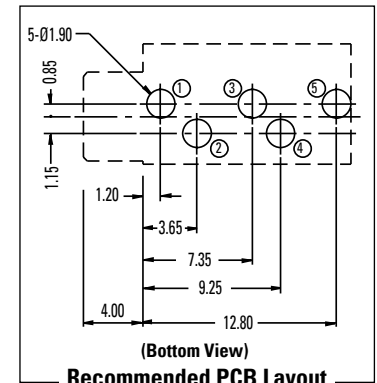
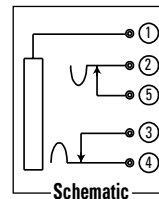
### STX-314 and STX-315 Series Dimensions

Dimensions in mm

#### -5C and -5N Options

5 Pins

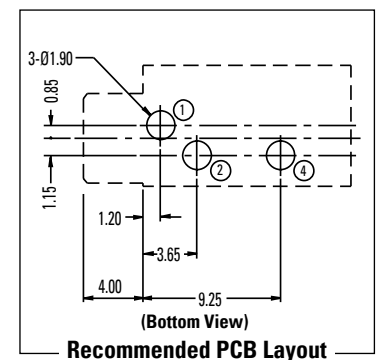
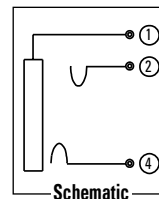
One Double-Pole, Single-Throw Switch



#### -3C and -3N Options

3 Pins

Audio Jack



#### -3CM and -3NM Options

3 Pins, Mono

One Single-Pole, Single-Throw Switch

