

STX-3200 Series PCB Mount 3.5mm Audio Jack

Features



- Audio Applications for Computers and Multimedia
- Available with Threaded or Non-Threaded Metal Bushing
- CSA/NRTL Certified File No. LR78160

Performance Specifications

Materials and Finish

Plastic Housing

PBT Thermoplastic, Black Color, UL94V-0 Rated

Terminals

Copper Alloy, Copper Plating



Mechanical Characteristics

Insertion Force

0.4kg - 3.0kg

Extraction Force

0.3kg - 3.0kg

Durability

5000 Mating Cycles

Electrical Characteristics

Contact Resistance

Before Durability Test

50 Milliohms Max.

After Durability Test

100 Milliohms Max.

Insulation Resistance

100 Megohms Min. at 500V DC

Dielectric Strength

500V AC RMS for 1 Minute

Operating Temperature

-25°C to +85°C

AUDIO JACKS

STX-3200 Series

Ordering Information

STX-3200	-	5	N	B
Series		Number of Pins	Threading Option	Back Plate Options

Series

STX-3200 - Kycon 3.5mm Audio Jack

Number of Pins

3 - 3 Pins

5 - 5 Pins

Threading Option

N - Non-Threaded

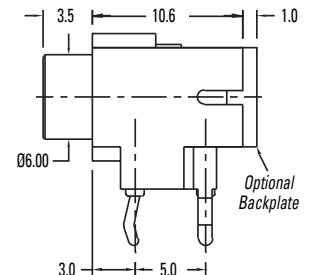
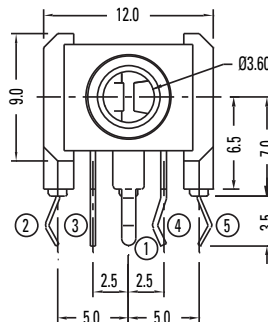
C - Threaded

Back Plate Option

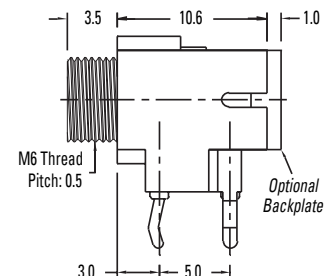
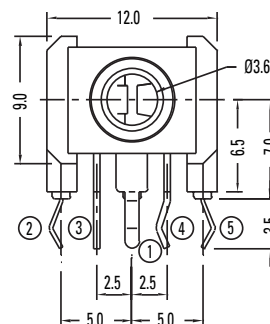
Blank - No Back Plate

B - With Back Plate

STX-3200-5N Dimensions
Dimensions in mm



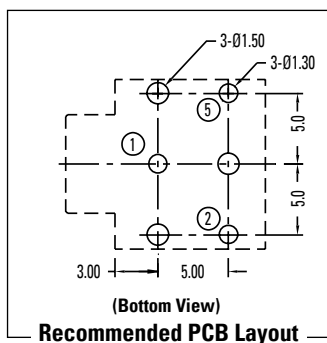
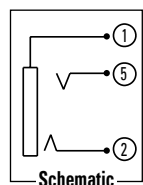
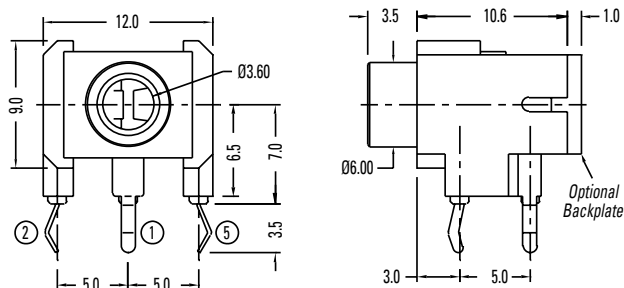
STX-3200-5CB Dimensions



STX-3200 Series Dimensions

Dimensions in mm

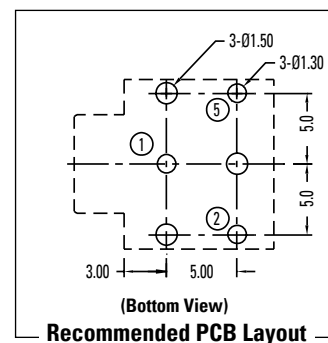
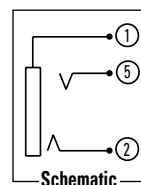
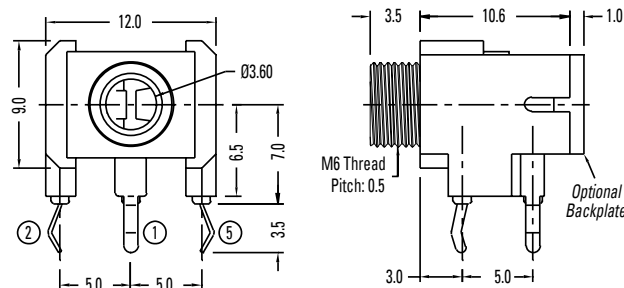
STX-3200-3NB



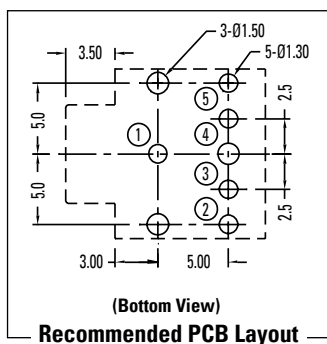
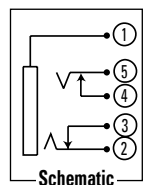
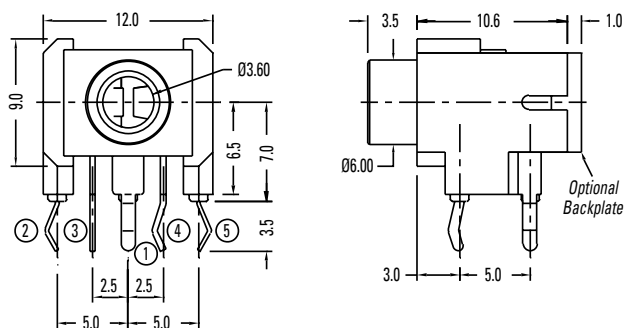
STX-3200 Series Dimensions

Dimensions in mm

STX-3200-3CB



STX-3200-5NB



STX-3200-5CB

