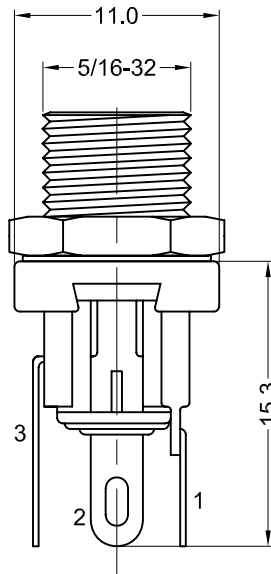
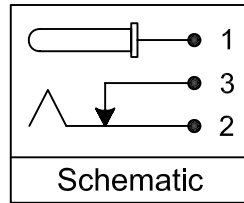
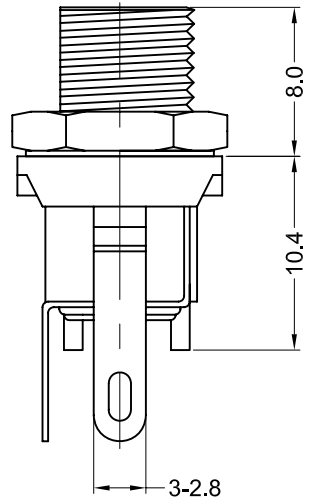


(NOTE: NUT AND WASHER NOT SHOWN THIS VIEW)



Part Number	Center Pin Diameter
KLDPX-0302-A	2.0±0.1mm
KLDPX-0302-B	2.5±0.1mm

Material and Finish

Housing: PBT Thermoplastic,
UL94V-0, Color: Black

Center Pin & Threaded Barrel:
Brass, Nickel Plated

Contact Pin #1, #3: Brass, Silver Plated
Contact Pin #2: Phosphor Bronze, Silver Plated

Nut: Brass, Nickel Plated
Washer: SPCC, Nickel Plated

Electrical Specifications

Rated Current: 5A
Rated Voltage: 24V DC

Insulation Resistance:
100 Megohms Min.
at 500V DC

Contact Resistance:
30 milliohms max.

Dielectric Withstanding Voltage:
500V AC for 1 minute

Recommended Minimum
Panel Thickness: 1.5mm

Mechanical Specifications

Insertion Force: 3.0kg Max.
Extraction Force: 0.3kg Min.



Tolerances
X.X ± 0.35
X.XX ± 0.25
Unless Stated Otherwise

REV.	DATE	DESCRIPTION	REV. BY	CHK. BY	DRAWN BY	DATE
A0	01/25/12	New Drawing	S. Vien	H. MA	S. Vien	01/06/12
A1	04/03/12	Release Drawing	S. Vien	H. MA		

KLDPX-0302-x

Panel Mount Power Jack
8.0 Barrel, RoHS Compliant

