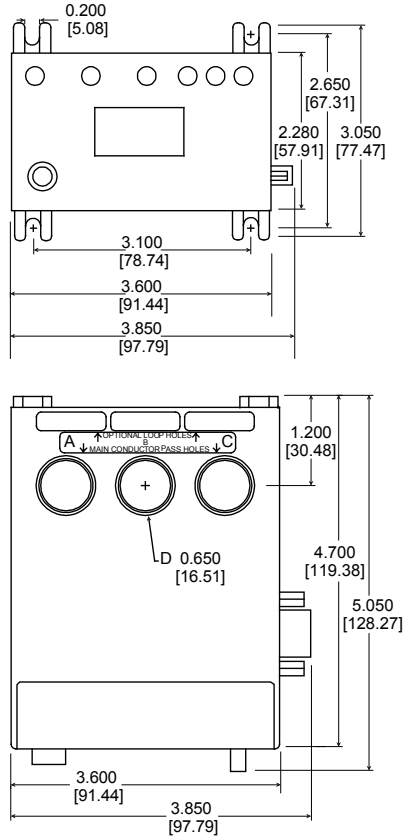


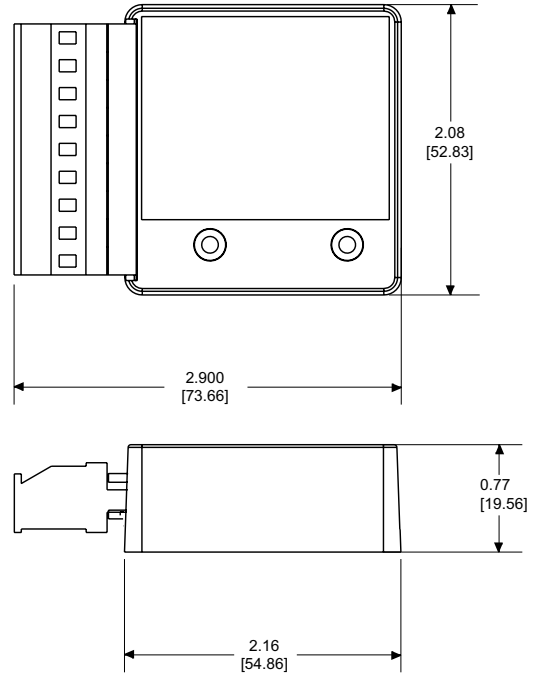
# DIMENSIONAL DRAWINGS

Figure 1



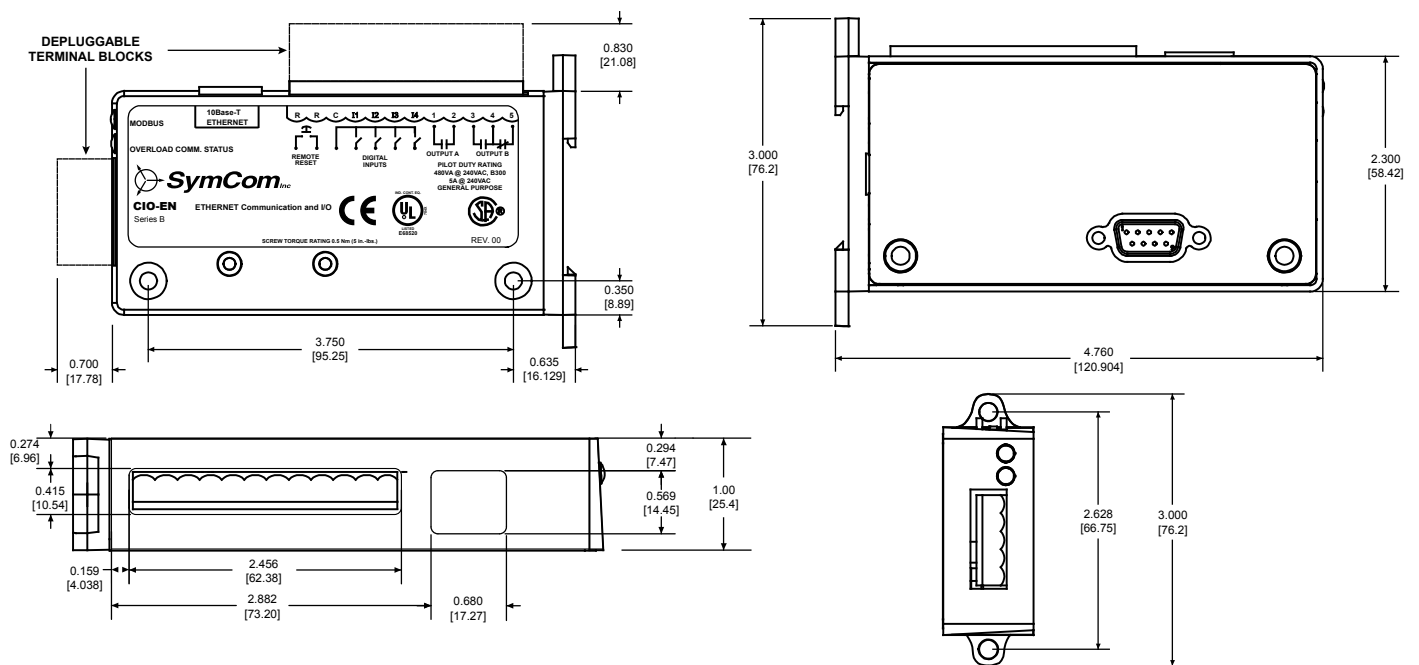
601; 601-CS-D-P1; 777; 777-ACCUPOWER; 777-KW/HP-P2; 77C; 77C-KW/HP

Figure 2



RS485MS-2W; COM 4-20

Figure 3

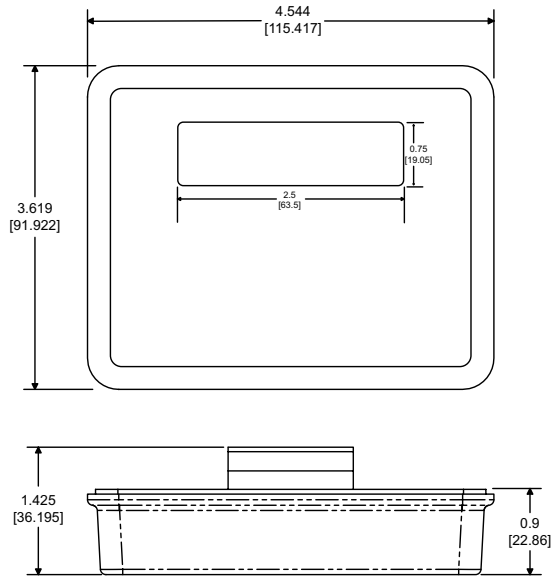


CIO-120-DN-P; CIO-DN-P; CIO-EN; CIO-MB;  
CIO-120-MB; CIO-777-PR

Measurements: inches (millimeters)

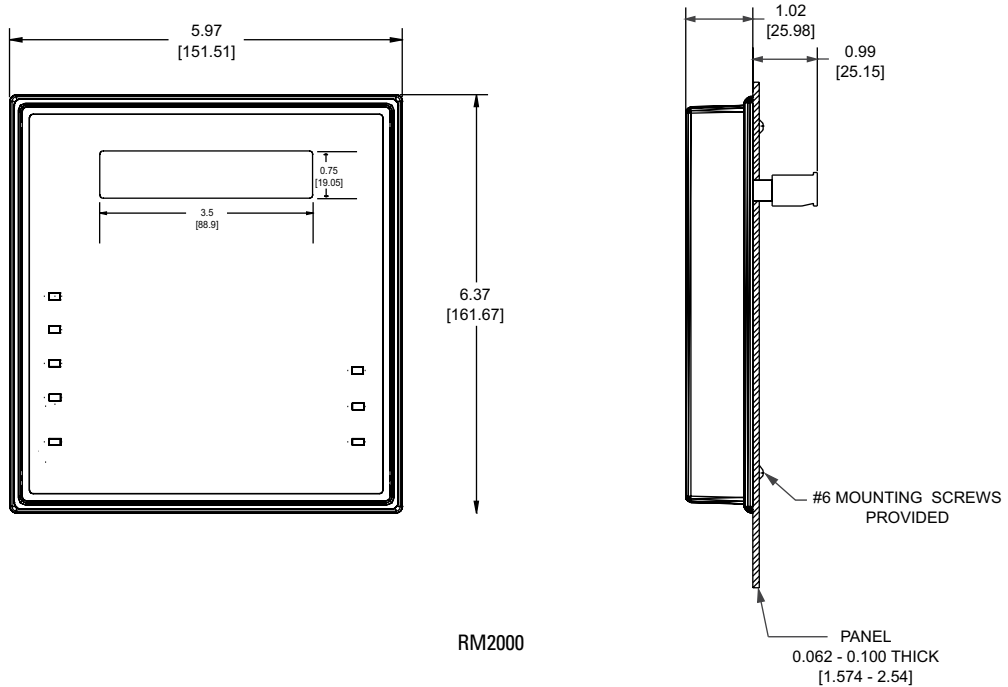
**DIMENSIONAL DRAWINGS**

**Figure 4**



RM1000

**Figure 5**

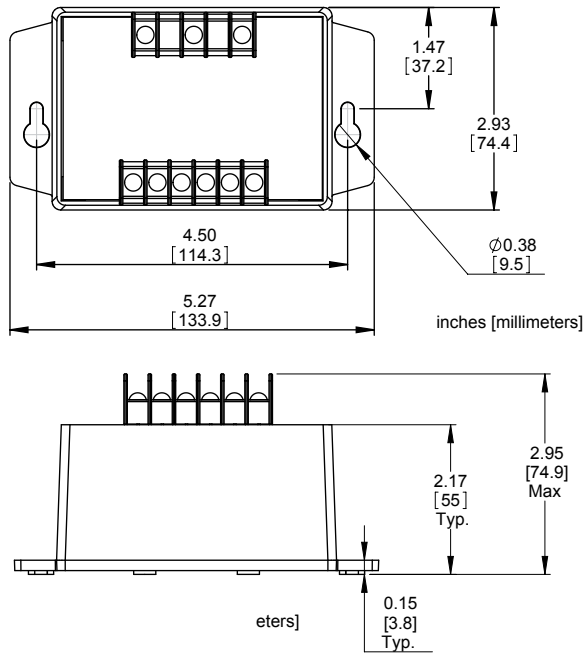


RM2000

Measurements: inches (millimeters)

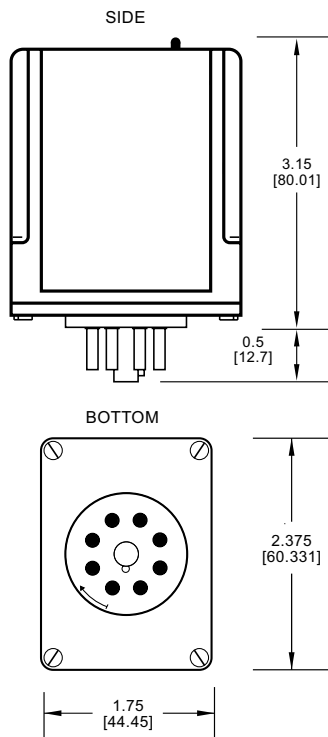
# DIMENSIONAL DRAWINGS

Figure 6



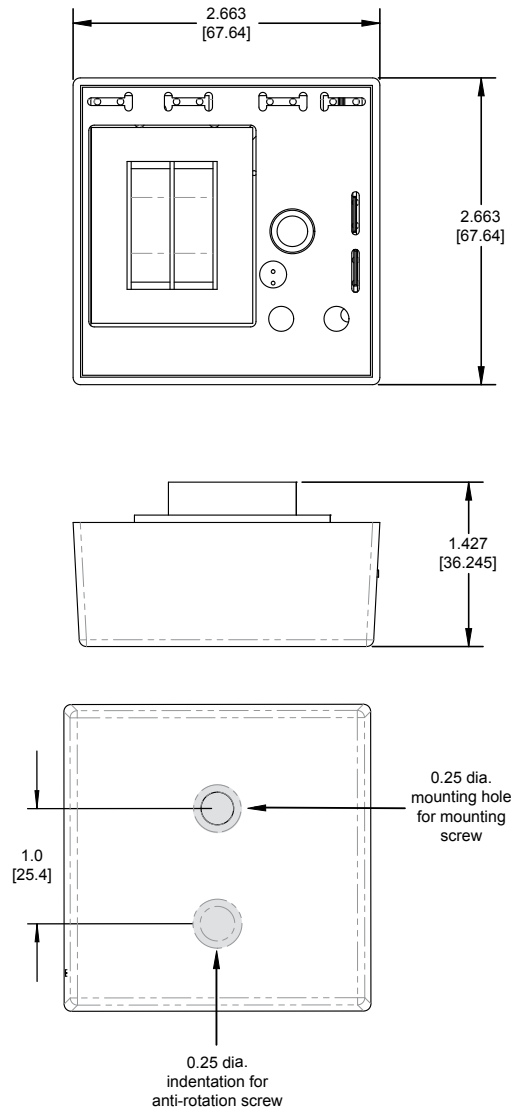
102A; 250A; 350; 355; 455; 50R; 50R-400-ALT; CP5; T10

Figure 8



ACBC-120; ALT; ALT-XXX-X-SW; ISS-101; PC-XXX-LLC; 201-100-SLD; 201A; 201A-AU; 201A-9; 201-XXX-SP; 201-XXX-DPDT; 201-XXX-SP-DPDT

Figure 7

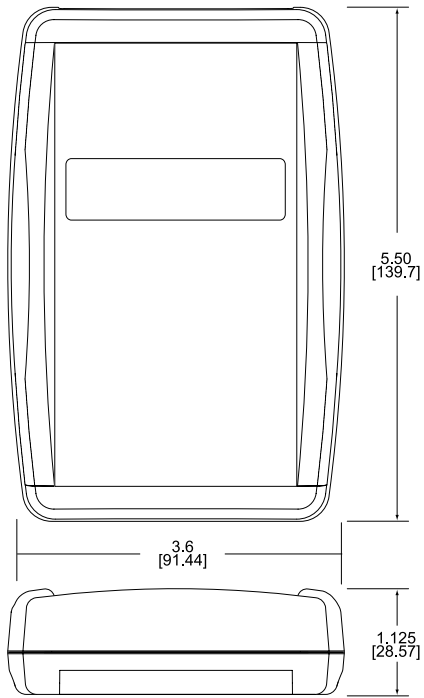


202; 202-200-SP

Measurements: inches (millimeters)

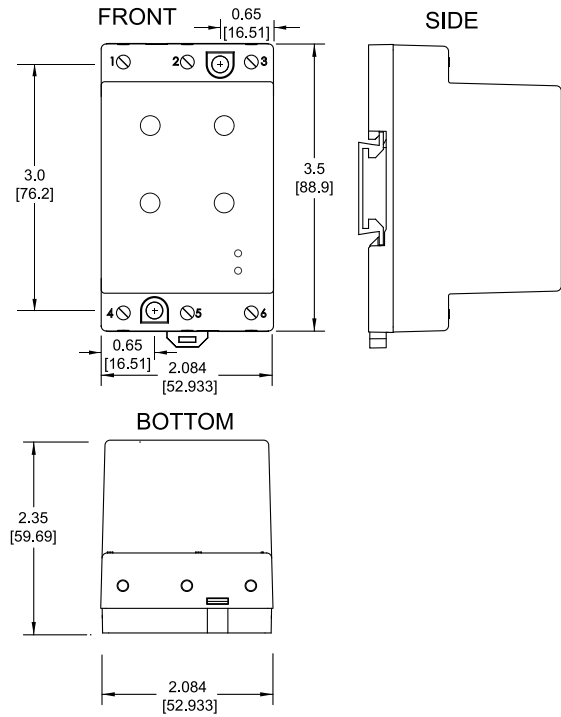
**DIMENSIONAL DRAWINGS**

**Figure 9**



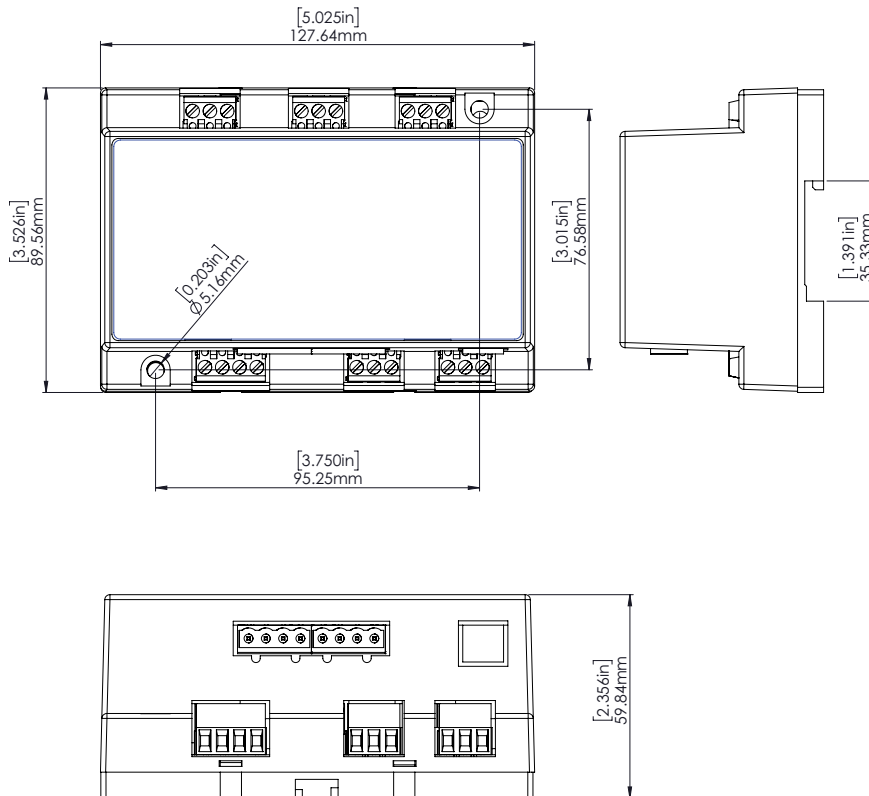
Informer; Informer-MS

**Figure 10**



460; 460-15-100-XXX; 460-XXX-SP; ISS-100; ISS-102; PC-102

**Figure 11**

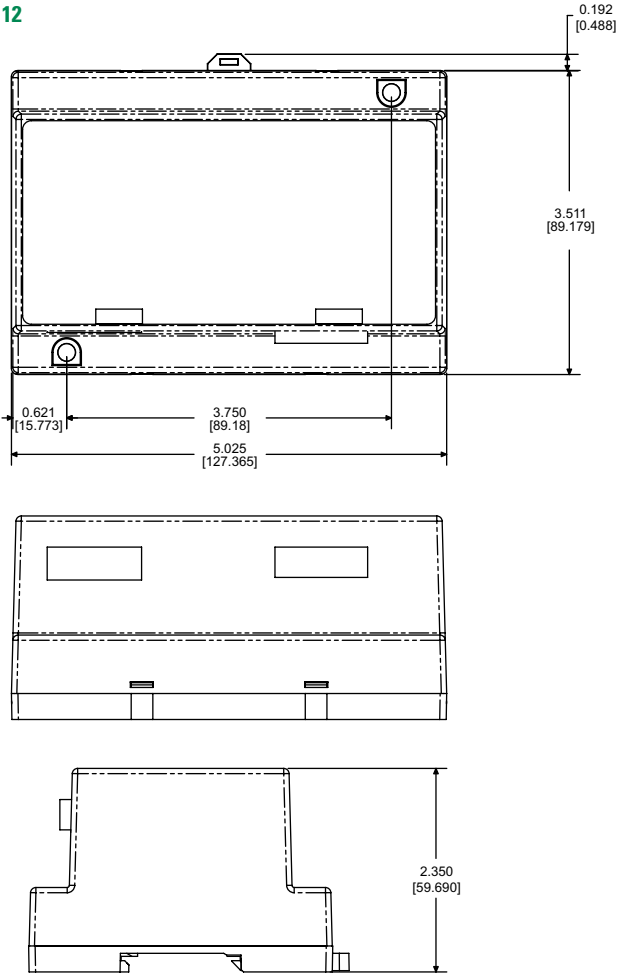


AF0100

Measurements: inches (millimeters)

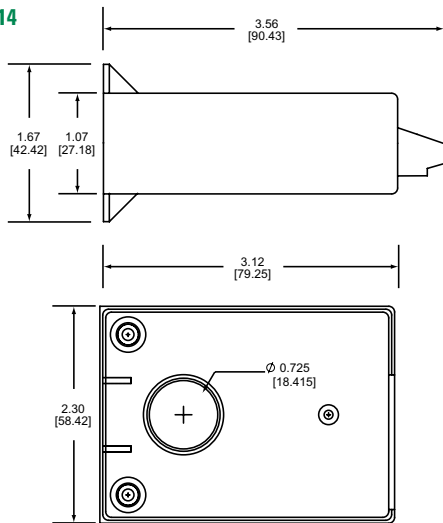
# DIMENSIONAL DRAWINGS

Figure 12



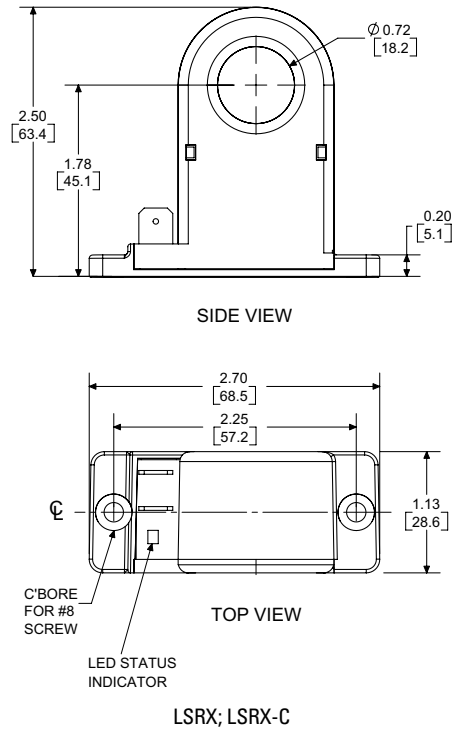
ISS-105; PC-105

Figure 14



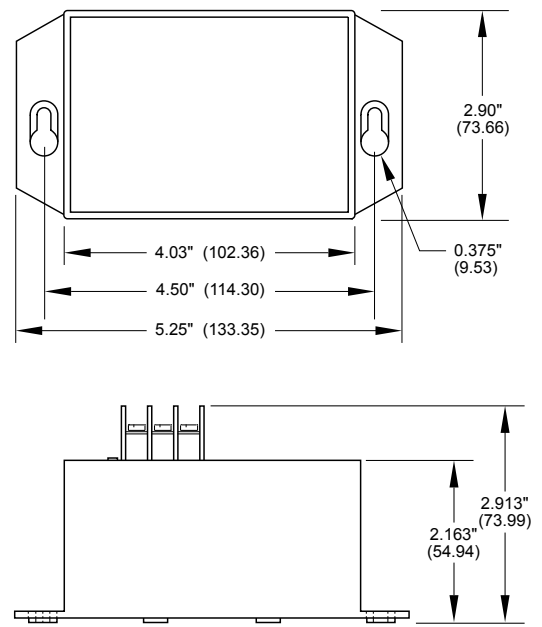
LSR-0; LSR-XXX; LSRU

Figure 13



LSRX; LSRX-C

Figure 15

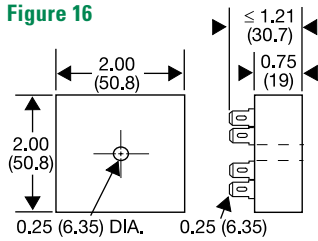


111P; 233P; 233P-1.5; 235P

Measurements: inches (millimeters)

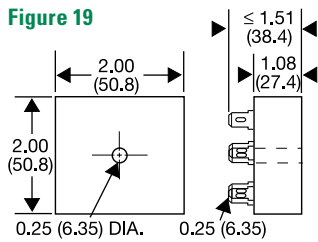
**DIMENSIONAL DRAWINGS**

**Figure 16**



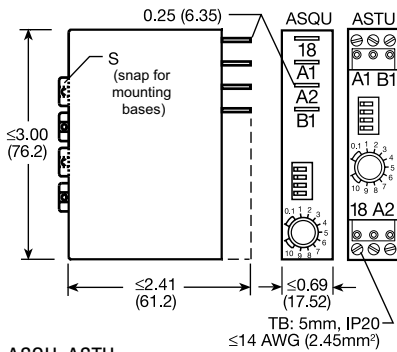
CT; ESD52233; ESDR; FS100 (medium power); FS200; FS300; KR3; KR9; KRDB; KRDI; KRDM; KRDR; KRDS; KRPD; KRPS; KSD1; KSD2; KSD3; KSDB; KSDR; KSDS; KSDU; KSPD; KSPS; KSPU; KVM; T2D120A15M; TA; TAC1; TDU; TDUB; TDUI; TDUS; TL; TMV8000; TS1; TS2; TS441165; TS6; TSA141300; TSB; TSD1; TSD2; TSD3411S; TSD6; TSD7; TSD94110SB; TSSB; TSSR; TSSS; TSS; TSU2000

**Figure 19**



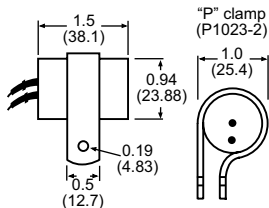
FA; FS; FSU1000\*; PHS\*; PTHF4900DK\*; SIR1; SIR2; SLR1\*; TH1; THC; TCR9C; THD1B410.5S; THD2; THD3C42A0; THD7; THDB; THDS; THS  
\*If unit is rated @ 1A, see Figure 16

**Figure 22**



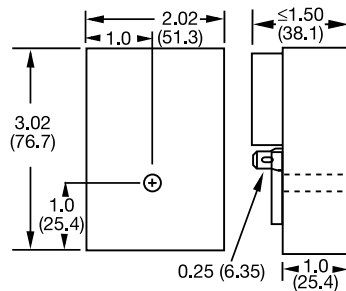
ASQU; ASTU;  
DSQU; DSTU

**Figure 25**



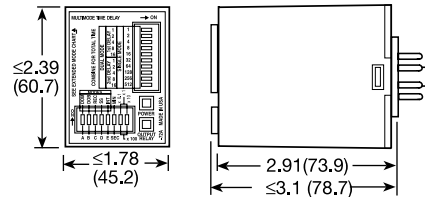
FS100 (low current flasher); FS491

**Figure 17**



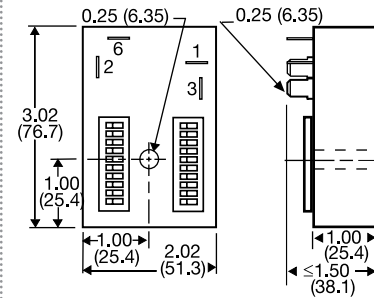
HLVA6I23; HRDB; HRDI; HRDM; HRDR; HRDS; HRIS; HRPS; HRV; RS

**Figure 20**



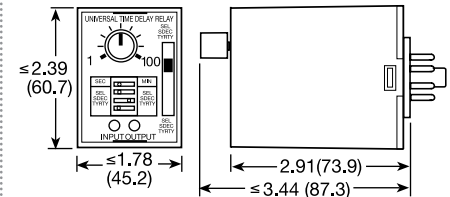
TRDU

**Figure 18**



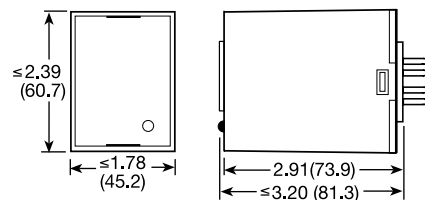
HSPZA22SL

**Figure 21**



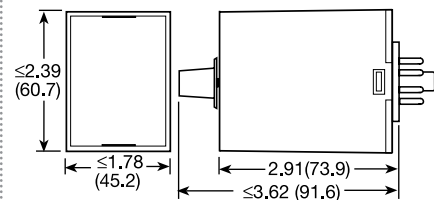
TRU

**Figure 23**



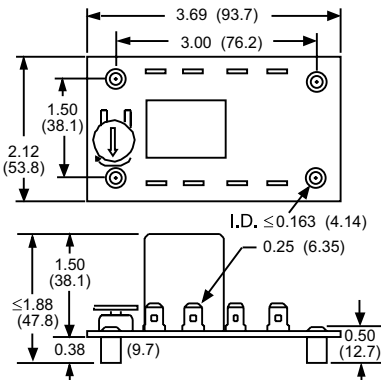
PLM; PLR; TDB; TDBH; TDBL; TDI; TDIH; TDIL; TDM; TDMB; TDMH; TDML; TDR; TDS; TDSH; TDSL

**Figure 24**



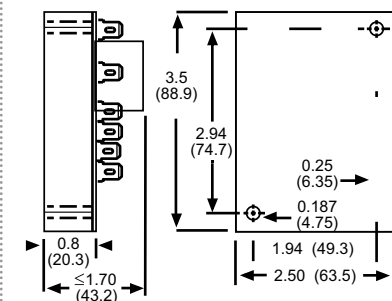
FS500; PRLM; TRB; TRM; TRS

**Figure 26**



ORB; ORM; ORS

**Figure 27**

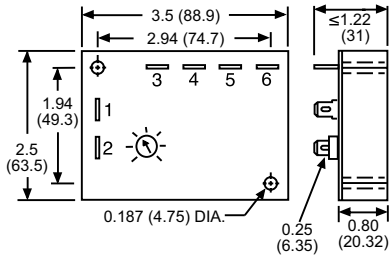


ERD3425A; ERDI; ERDM

Measurements: inches (millimeters)

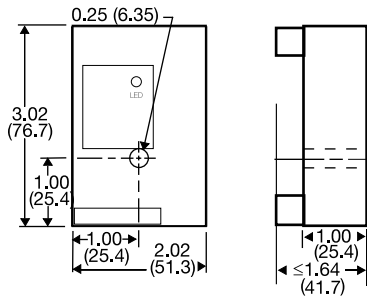
# DIMENSIONAL DRAWINGS

**Figure 28**



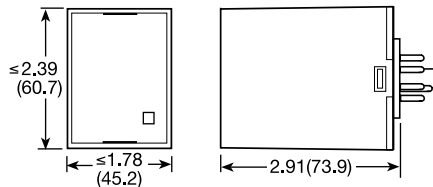
SC3; SC4

**Figure 31**



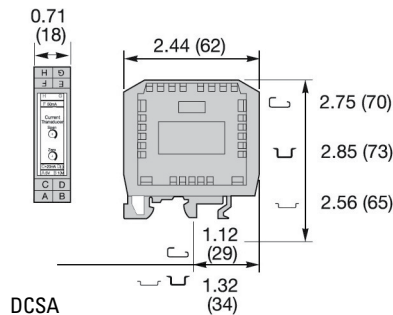
FB9L; HLMU; SCR9L

**Figure 33**



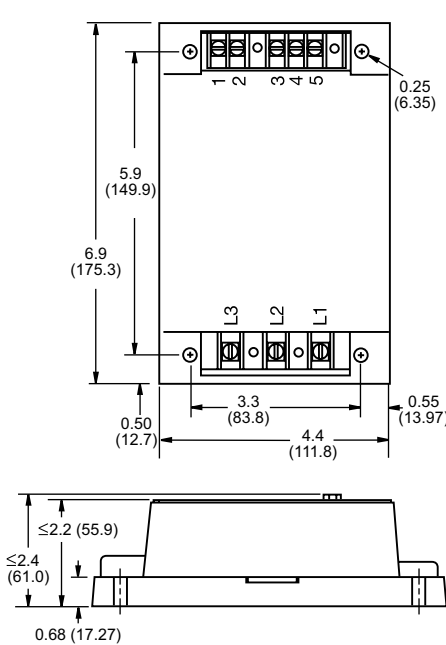
LLC4; LLC6; PLS

**Figure 36**



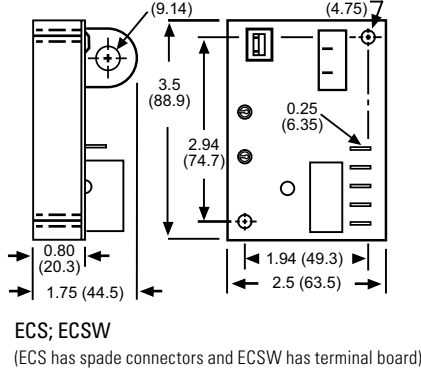
DCSA

**Figure 29**



WWM

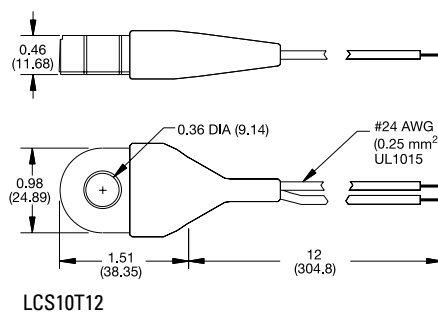
**Figure 34**



ECS; ECSW

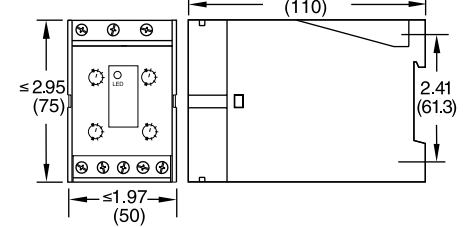
(ECS has spade connectors and ECSW has terminal board)

**Figure 37**



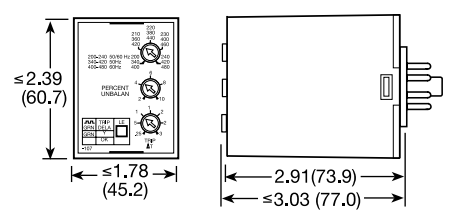
LCS10T12

**Figure 30**



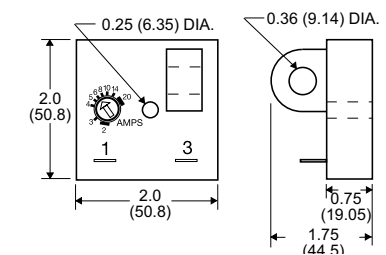
DLMU

**Figure 32**



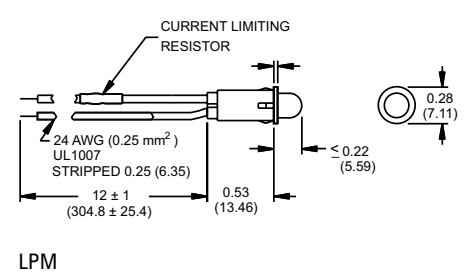
PLMU11

**Figure 35**



TCS; TCSA

**Figure 38**



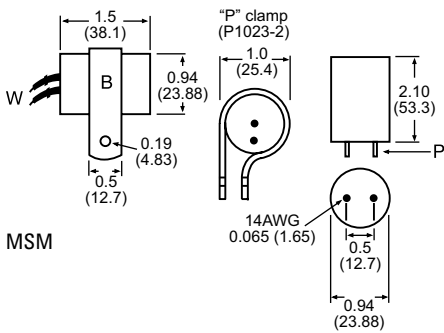
LPM

Measurements: inches (millimeters)

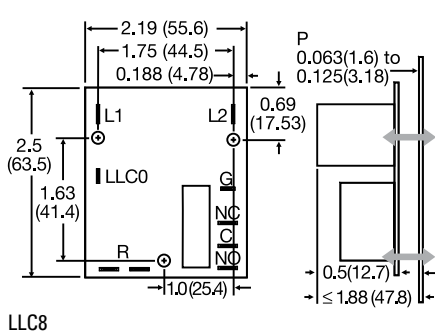
Measurements: inches (millimeters)

# DIMENSIONAL DRAWINGS

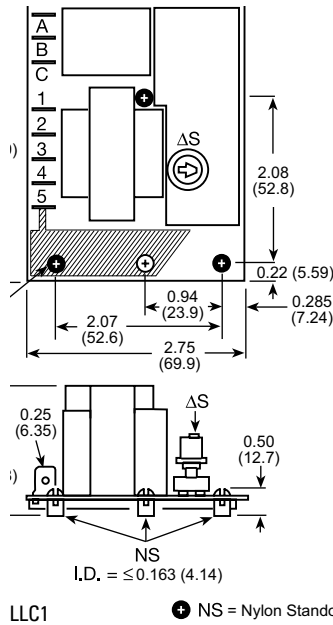
**Figure 39**



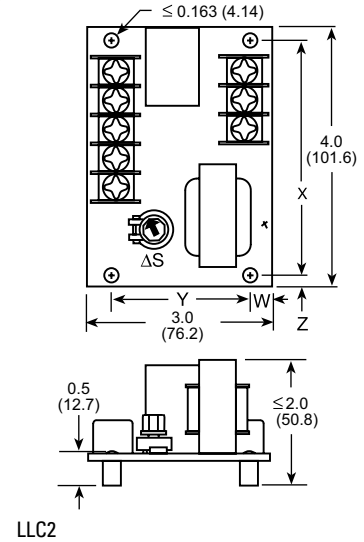
**Figure 42**



**Figure 40**

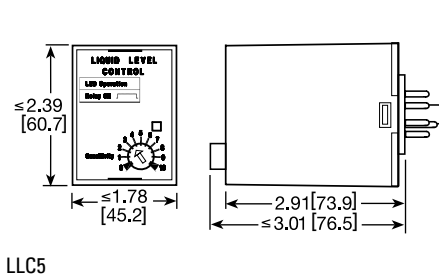


**Figure 41**

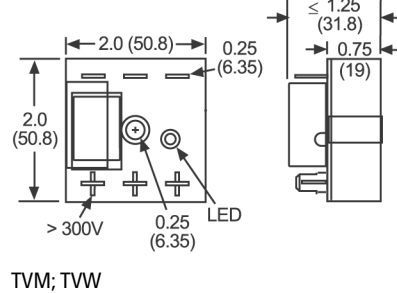


KEY	MODEL NUMBERS ENDING IN:	
	N	C
W	0.440" (11.176 mm)	0.250" (6.350 mm)
X	3.620" (91.948 mm)	3.500" (88.900 mm)
Y	2.120" (53.848 mm)	2.500" (63.500 mm)
Z	0.190" (4.826 mm)	0.250" (6.350 mm)

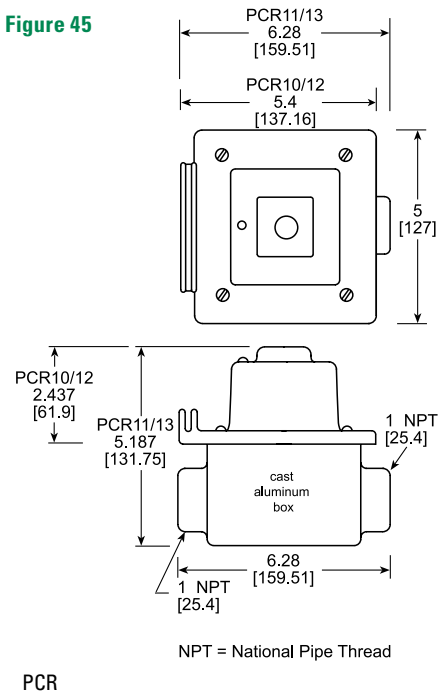
**Figure 43**



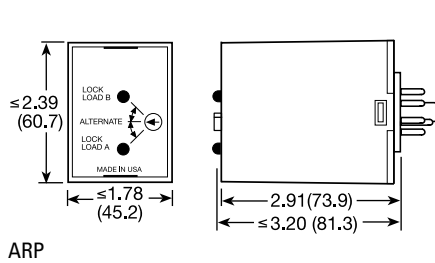
**Figure 44**



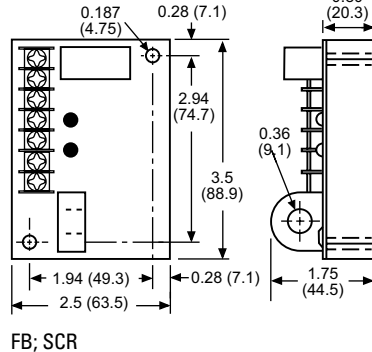
**Figure 45**



**Figure 46**



**Figure 47**



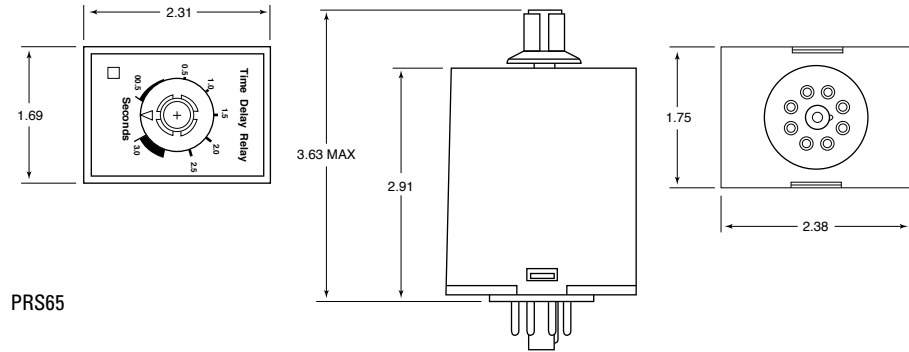
PCR

NPT = National Pipe Thread



# DIMENSIONAL DRAWINGS

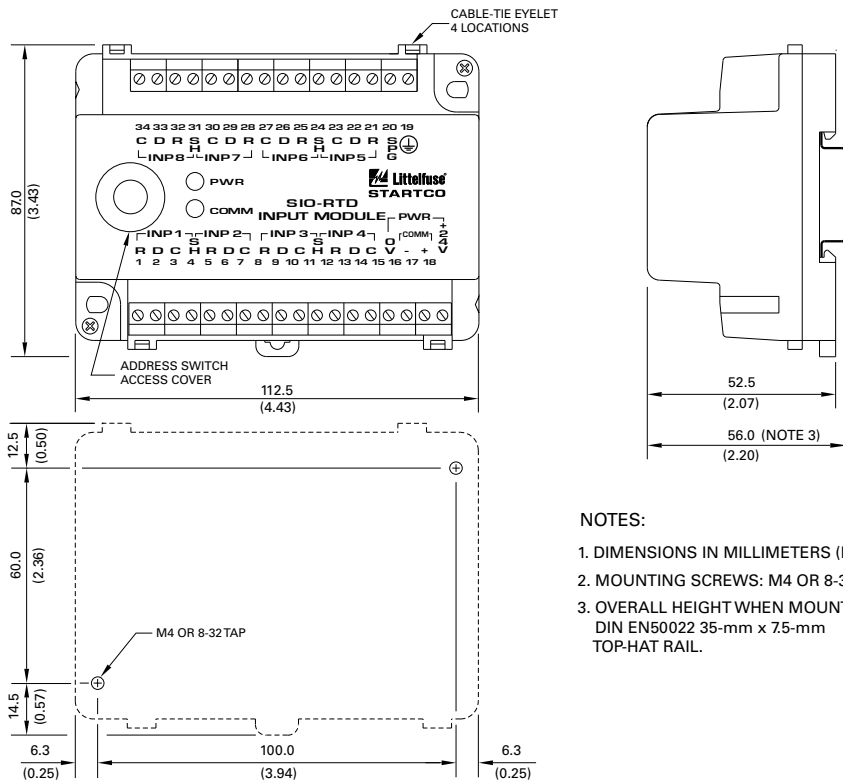
Figure 48



PRS65

Measurements: inches

Figure 49



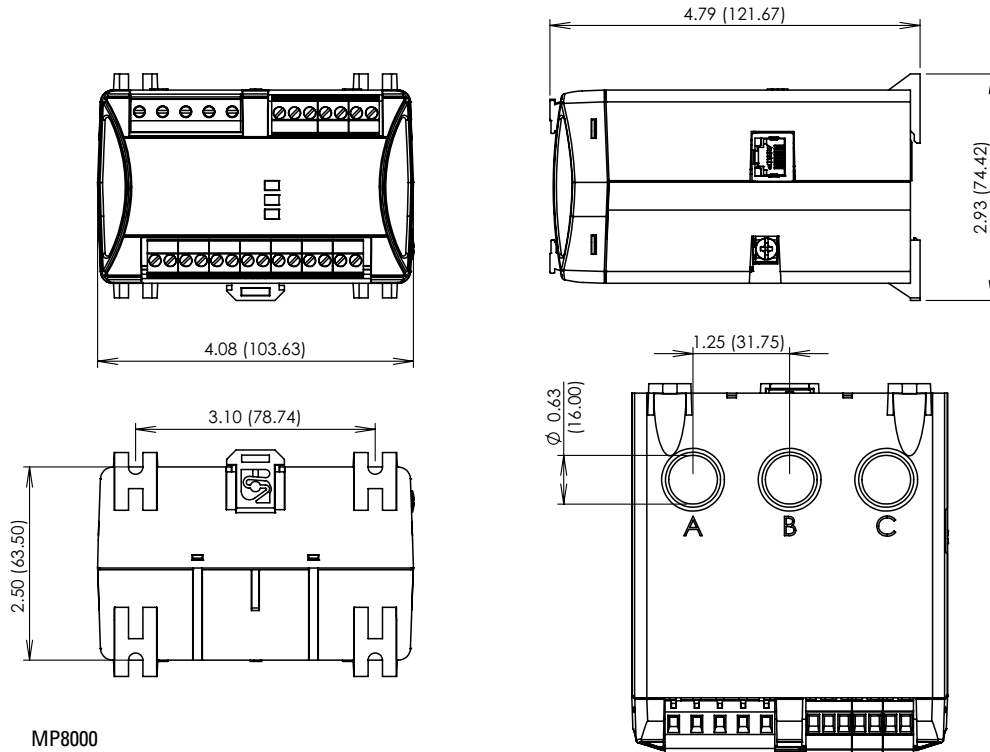
SIO-RTD-02-00

**NOTES:**

1. DIMENSIONS IN MILLIMETERS (INCHES).
2. MOUNTING SCREWS: M4 OR 8-32.
3. OVERALL HEIGHT WHEN MOUNTED ON DIN EN50022 35-mm x 75-mm TOP-HAT RAIL.

**DIMENSIONAL DRAWINGS**

**Figure 50**



Measurements: inches (millimeters)

## ALPHANUMERIC INDEX

102A Series	pg 198	Arc-Flash Protection	pg 14, 73
111-Insider-P / 231-Insider-P	101	ARP Series	157
111P / 233P / 233P-1.5 Series	106	ASQU / ASTU Series	270
201-100-SLD	136	Brackets & Clips	486
201-XXX-DPDT Series	204	CIO-777-PR	259
201-XXX-SP Series	190	CIO-DN-P / CIO-120-DN-P	257
201-XXX-SP-DPDT Series	192	CIO-EN	260
201A Series	200	CIO-MB / CIO-120-MB	255
201A-AU Series	202	COM 4-20	261
202 Series	206	Communication Adapters & Modules	253, 476
202-200-SP Series	194	CP5 Series	168
232-Insider	104	CT Application	502
234-P	108	CT Selection Guide	479
235P	110	CT Series	426
250A Series	208	Current Monitoring / Load Sensing Relays	24
350 Series	210	Current Monitoring Relays & Transducers	167
355 Series	212	Current Transformers	480
455 Series	214	Current Transformers Sizing Chart	482
460 Series	216	D0920	74
460-15-100-LLS	137	DCSA Series (w / LCSC10T12)	185
460-15-100-SLD	139	Dedicated Timers	28, 262
460-XXX-SP Series	196	Dimensional Drawings	507
50R Series	188	DIN-Rail & Mounting Adapters	485
50R-400-ALT	159	DLMU Series	224
601 Series	218	DSQU / DSTU Series	272
601-CS-D-P1	220	ECS Series	175
777 Series	114	ECSW Series	178
777-P2	114	EL3100	44
777-AccuPower	123	EL731	48
777-KW / HP-P2 Series	120	Electrical Accessories	469
777 / 77C Series	118	Enclosures & Watertight Covers	487
77C-KW/HP Series	125	ERD3425A	391
A0220	80, 473	ERDI Series	362
AC / DC Earthed System	48	ERDM Series	275
ACBC-120	130	ESD52233	422
Accessories	467	ESDR Series	393
AC System Monitors / Load Sensors	22, 167	FA / FS Series	455
AF0100	79	FB Series	457
AF0500	77	FB9L	461
Alarm Control / Battery Charger	21, 130	Feeder Protection	14, 69
ALT Series	153	Find the Right Product for Your Application	2
ALT-XXX-1-SW / ALT-XXX-3-SW Series	155	Flashers	39, 439
Alternating Relays	20, 153	Flashers, Beacon Tower	41
ANSI Device Numbers	506	Flashers, Photo Control	41
Appendix – Dimensional Drawings	507	Flashers & Tower Lighting Controls	39, 439

## ALPHANUMERIC INDEX

FPS	pg 71	KRPD Series	pg 424
FPU-32	70	KRPS Series	281
FS100 (low current) Series	442	KSD1 Series	284
FS100 (med power) Series	444	KSD2 Series	368
FS200 Series	446	KSD3 Series	402
FS300 Series	448	KSDB Series	321
FS491	450	KSDR Series	404
FS500 Series	451	KSDS Series	343
FSU1000 Series	440	KSDU Series	286
Generator Ground-Fault Relay	55	KSPD Series	406
GFA300	55	KSPS Series	288
Glossary of Terms	490	KSPU Series	370
Ground Reference Modules	472	KVM Series	243
Ground-Conductor Monitoring	13, 57	LCSC10T12	185, 473
Ground-Fault Circuit Interrupters	53	LCS10T12 / LPM Series	187
Ground-Fault Protection	12, 43	Liquid Level Control	19, 129, 478
High-Tension Couplers	472	LLC1 Series	141
HLMU Series	227	LLC2 Series	143
HLVA6I23	241	LLC4 Series	145
HRDB Series	315	LLC5 Series	147
HRDI Series	364	LLC6 Series	149
HRDM Series	277	LLC8 Series	151
HRDR Series	396	Load Sensors	22
HRDS Series	337	LSR-0	169
HRPS / HRIS Series	317	LSR-XXX Series	170
HRV Series	437	LSRU Series	171
HSPZA22SL	339	LSRX / LSRX-C Series	173
IEEE Device Numbers	506	Motor & Pump Protection	16, 93
Industrial Shock-Block	53	Motor & Pump Protection with Bluetooth®	17, 112
Informer	250, 475	Mounting Adapters & Enclosures	483
Informer-MS	252, 475	MP8000	112
Input Modules	473	MP8100	112
Instrumentation & Metering Transformers	481	MPS	98
Intrinsically Safe Relays/Pump Controllers	21, 160	MPS-469X	100
Introduction to Protection Relays	493	MPU-32	96
ISS-100	160	MPU-32-X69X	100
ISS-101	161	MSM Series	291
ISS-102 Series	163	Multifunction Timers	262
ISS-105 Series	165	Neutral-Grounding Resistor Chart	61
KRD3 Series	398	Neutral-Grounding Resistor Package	66
KRD9 Series	388	NGR	66
KRDB Series	319	NGRM-ENC	67, 487
KRDI Series	366	NGR Monitoring	13, 61
KRDM Series	279	ORB Series	323
KRDR Series	400	ORM Series	293
KRDS Series	341	ORS Series	345

## ALPHANUMERIC INDEX

Overview	pg 489	SE-134C / SE-135	pg 59
Panel Mount Adapters	483	SE-325	62
Personnel Protection	53	SE-330 / SE-330HV	63
PC-102 Series	132	SE-330AU	65
PC-105	133	SE-601	47
PC-XXX-LLC-CZ / PC-XXX-LLC-GM	134	SE-701	50
PCR Series	465	SE-703	51
PGA-1100	81, 469	SE-704	52
PGA-LS10	473	Seal Leak Detectors	18, 129
PGA-LS20	473	Sequencing Controls	453
PGA-LS30	473	Sensing Resistors	474
PGR-3100	45	Shock-Block GFCI	53
PGR-3200	46	SIO-RTD-02-00	128
PGR-4300	45	SIR Series	86
PGR-6100	94	SLR Series	88
PGR-6101-120	95	Sockets	488
PGR-8800	75	Software	468
PHS Series	84	Solidly-Grounded Systems	43, 504
PLM Series	231	Switching Relays & Controls	15, 83
PLMU11	229	T10 Series	274
PLR Series	237	T2D120A15M	428
PLS Series	239	TA Series	430
PRLM Series	295	TAC1 Series	432
Product Selection Guide	11	TCR9C	90
PRS65	347	TCS Series	181
PTHF4900DK	418	TCSA Series	183
Pump Controls & Liquid Level Controls	18, 129	TDB / T DBH / TDBL Series	325
Relay Application	494	TDI / TDIH / TDIL Series	372
Pump Protection	16, 98	TDM / TDMH / TDML Series	297
Relay Software	468	TDMB Series	420
Relay Testing Equipment	472	TDR Series	410
Remote Indication & Meters	473-474	TDS / TDSH / TDSL Series	348
Remote Indication & Monitoring	245, 475	TDU / TDUH / TDUL Series	299
Resistance-Grounded Systems	62, 504	TDUB Series	327
Resistance-Grounding Conversion	503	TDUI / TDUIH / TDUIL Series	374
Resistance Grounding	13, 61	TDUS Series	350
RM1000 Series	246, 475	Termination & Adapters	477
RM2000 Series	248, 475	TH1 Series	301
RS Series	408	THC / THS Series	352
RS485MS-2W	254	THD1B410.5S	303
SB6000 Series	53	THD2 Series	376
SC3 / SC4 Series	453	THD3C42A0	412
SCR Series	459	THD7 Series	378
SCR490D	458	THDB Series	329
SCR9L	463	THDS Series	354
SE-105 / SE-107	58	Time Delay Relays	26, 262

# ALPHANUMERIC INDEX

Timer Function Guide	pg 264
Timers, Factory-Programmable	26
Timers, Multifunction	27
Timing Function Symbols	264
TL Series	434
TMV8000 / TSU2000 Series	305
Tower & Obstruction Lighting Controls	39, 41, 439
Trailing Cable Protection	57
TRB Series	331
TRDU Series	265
TRM Series	307
TRS Series	356
TRU Series	268
TS1 Series	309
TS2 / TS6 Series	380
TS441165	313
TSA141300	436
TSB Series	333
TSD1 Series	311
TSD2 Series	382
TSD3411S	414
TSD6 Series	384
TSD7 Series	386
TSD94110SB	390
TSDB Series	335
TSDR Series	416
TSDS Series	358
TSS Series	360
TVM Series	235
TVW Series	233
Typical Suffixes	506
Ungrounded AC Systems	43
Ungrounded DC System	47
Ungrounded System	504
Voltage Monitoring Relays	22, 167
WVM Series	222

## White Papers & Technical Information

An expanded Technical Application Guide, White Papers, and a library of technical information is available online at **Littelfuse.com/TechnicalCenter**. Littelfuse can help you address application and circuit protection challenges while achieving regulatory compliance.



**Introduction to Protection Relays and Applications**

**Lowering the Limits for Ground-Fault Protection**

**The Importance of Effective Motor and Motor Circuit Protection**

**Ground-Fault Protection with VFDs**

**Selecting an Arc-Flash Relay**

**Why NGRs Need Monitoring**

**Transformer Protection**



## Littelfuse Literature is in the App Store!

Our free Littelfuse Catalogs and Literature App keeps our products and technical resources at your finger tips, wherever you are. Find products and technical specifications you need, quickly and easily!