



Expertise Applied | Answers Delivered



SOLAR PRODUCTS CATALOG



1500 V DC PRODUCTS

OVERVOLTAGE PROTECTION

IN-LINE FUSES

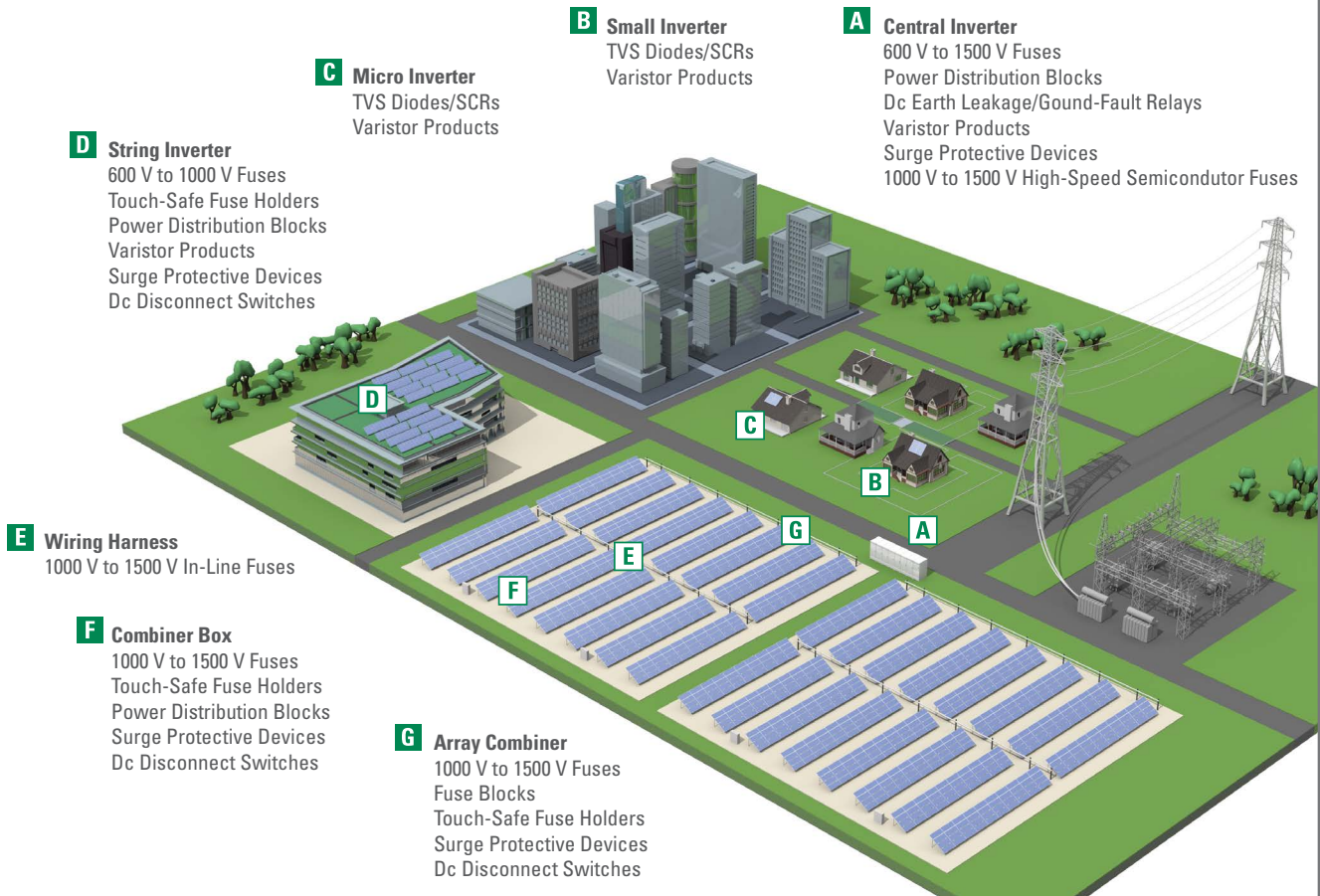
PROTECTION RELAYS

SURGE PROTECTION

SWITCH PRODUCTS

Solar-Rated Products by Application

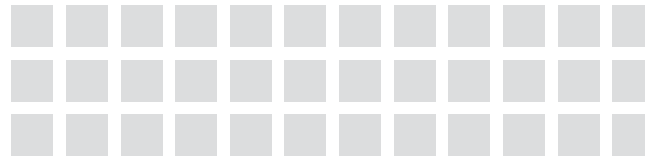
Solar Applications










With over 25 million devices installed in photovoltaic power systems, Littelfuse understands the global challenges of the solar market. Littelfuse offers numerous circuit-protection products that are uniquely suited to protect the equipment and systems subject to the harsh environments of standard photovoltaic installations.



Look for this logo to indicate products that are used in solar applications. Visit our website [Littelfuse.com/Solar](https://www.littelfuse.com/Solar) for the latest updates on approvals, certifications, and new products.



1	1500 V RATED PRODUCTS	
	SPXV String Fuses.....	2
	SPXI In-Line Fuses.....	4
	SPNH Fuses	6
	LFXV15 Series Fuse Block & Cover.....	12
	LFPXV Touch-Safe Fuse Holders.....	15
	LFNH Fuse Block.....	17
2	1000 V RATED PRODUCTS	
	SPFJ High Amperage Fuses.....	21
	SPF String Fuses.....	22
	SPFI In-Line Fuses	23
	LFJ1000 Open-Face Fuse Blocks.....	24
	LPHV POWR-Safe Fuse Holders.....	25
	Bus Bar System.....	26
3	600 V RATED PRODUCTS	
	Bus Bar System.....	26
	LPSC/LPSM POWR-Safe Dead-Front Fuse Holders.....	27
	KLKD 10 x 38 mm (Midget) Fuses.....	28
	POWR-BLOKS Distribution Blocks and Covers	29
4	OVERVOLTAGE & SWITCHING ELECTRONIC PRODUCTS	
	IGBT Power Modules	30
	Transient Voltage Suppression (TVS) Diodes.....	31
	Overvoltage Suppression Varistors (MOV).....	32
5	PROTECTION RELAY PRODUCTS	
	SE-601 Ground-Fault Monitor.....	33
	EL731 Sensitive Earth-Leakage Relay.....	34
6	SURGE PROTECTIVE DEVICE PRODUCTS	
	SPD2 PV Series Surge Protective Device.....	35
7	SWITCH PRODUCTS	
	LS6R Series 1500 V Dc Disconnect Switches	37
	LS6 Series 1000 V Dc Disconnect Switches.....	41



Solar Products

SPXV SERIES IN-LINE SOLAR FUSE

1500 V dc • 1–60 A

REACH    

1



Description

The Littelfuse SPXV solar string fuse has been specifically designed for the protection of photovoltaic (PV) systems. It is available in multiple ampere ratings to match various requirements in a range of applications.

Features/Benefits

- Offers higher amperage protection in less space for increased design flexibility
- Full range, fast-acting fuse helps eliminate common low-overload faults
- Up to 50,000 A interrupting rating

Applications

- Inverters
- Combiner boxes

Recommended Accessories

1–32 Amperes

Fuse Holder: LFPXV0001

Fuse Clips: 125004/125005

35–60 Amperes

Fuse Holder: LFXV15060-BC

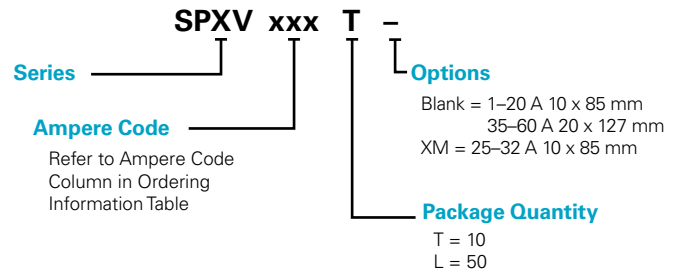
Web Resources

Download technical resources at: Littelfuse.com/spxv

Specifications

Voltage Rating	1500 V dc
Amperage Rating	1, 2, 2.25, 2.5, 3, 3.5, 4, 4.5, 5, 6, 8, 10, 12, 15, 16, 20, 25, 30, 32, 35, 40, 45, 50, 55, 60 A
Interrupting Rating	SPXV 1 A–20 A: 30 kA (50 kA Self-Certified) SPXV 35 A–60 A: 50 kA SPXV-M 25 A–32 A: 50 kA
Time Constant	≤ 1ms
Material	Body: melamine Caps: copper alloy (nickel plated)
Approvals	UL 248-19 Listed (File: E339112)
Applicable Standards	UL 248-1, 248-19 IEC 60269-6
Environmental	RoHS Compliant REACH
Country of Origin	Mexico

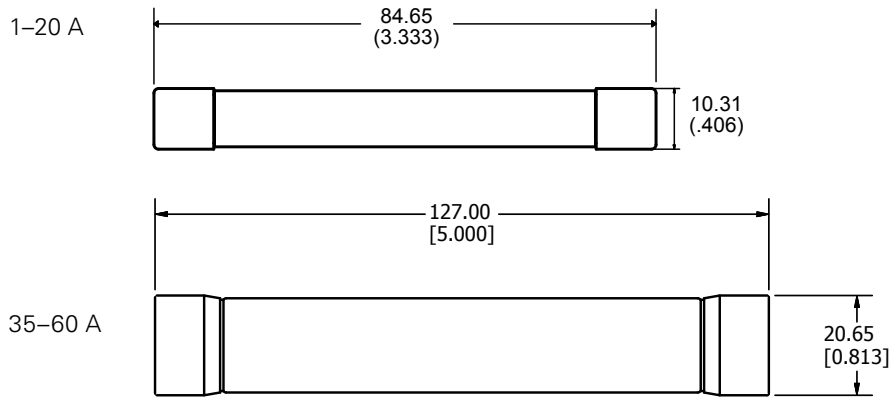
Part Numbering System



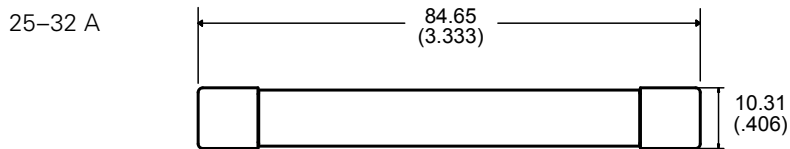
SERIES	AMPERAGE	PACKAGE QUANTITY	CATALOG NUMBER	ORDERING NUMBER
SPXV	6	10	SPXV006	SPXV006.T
SPXV	20	50	SPXV020	SPXV020.L
SPXV	32	10	SPXV032-M	SPXV032.TXM
SPXV	60	10	SPXV060	SPXV060.T



SPXV Dimensions mm (in)



SPXV-M Dimensions mm (in)



Solar Products

SPXI SERIES IN-LINE SOLAR FUSE

1500 V dc • 1–60 A



1

Description

The Littelfuse SPXI solar fuse is specifically designed for the protection of photovoltaic (PV) systems. It integrates into an in-line assembly within a wire harness and can be electrically insulated by either overmolding or using heat-shrink.

Littelfuse offers multiple ampere ratings to match specific requirements in a variety of applications.

Features/Benefits

- Offers higher amperage protection in less space for increased design flexibility
- One-piece cap design, without joints, offers easier wire crimping and more streamlined molding
- No fuse holder required helps save space, time, and money
- 50,000 A interrupting rating

Applications

- Photovoltaic high-capacity homerun, trunk harness, and wire harness

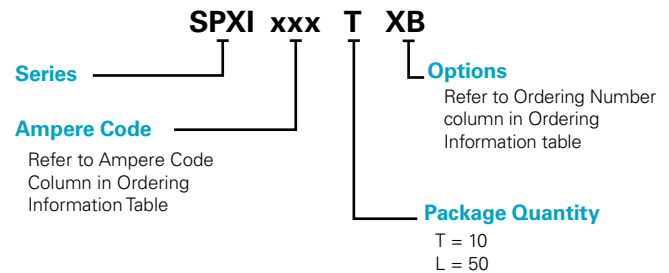
Recommended Crimping Tool

- 10-12 AWG: T&B Sta-Kon ERG4002
- 8 AWG: T&B Sta-Kon ERG4
- 6 AWG: Burndy MRC840AL

Specifications

Voltage Rating	1500 V dc
Amperage Rating	1, 2, 2.25, 2.5, 3.5, 4, 4.5, 5, 6, 8, 10, 12, 15, 16, 20, 25, 30, 32, 35, 40, 45, 50, 55, 60 A
Interrupting Ratings	SPXI 1-30 A and SPXI-B 1-20 A: 30 kA SPXI 35-50 A and SPXI-B 35-60 A: 50 kA SPXI-M and SPXI-BM 25-32A: 50 kA
Time Constant	≤ 1ms
Material	Body: melamine Caps: copper alloy (nickel plated)
Approvals	UL Recognized (File: E339112)
Applicable Standards	UL 248-1, 248-19 IEC 60269-6 (electrically only)
Environmental	RoHS Compliant REACH
Country of Origin	Mexico
US Patent	9,564,281

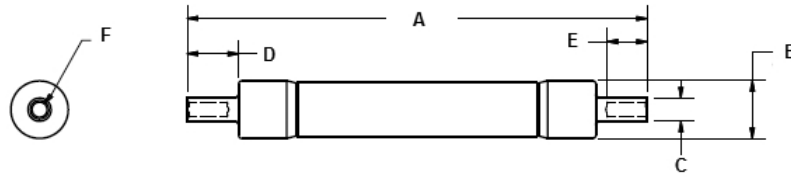
Part Numbering System



Web Resources

Download additional technical information and view the complete solar portfolio: [Littelfuse.com/spxi](https://www.littelfuse.com/spxi)

Dimensions



SERIES	AMPS	DIMENSIONS IN MM (INCHES)						WIRE RANGE
		A	B	C	D	E	F	
SPXI	2.5–4	81.41 (3.205)	10.31 (0.406)	5.59 (0.22)	12.26 (0.483)	9.53 (0.375)	3.56 (0.14)	10-12 AWG (6-4 mm ²)
	4.5–20	110.06 (4.333)	10.31 (0.406)	5.59 (0.22)	12.26 (0.483)	9.53 (0.375)	3.56 (0.014)	10-12 AWG (6-4 mm ²)
	25–30	110.06 (4.333)	13.72 (0.54)	5.59 (0.22)	12.26 (0.483)	9.53 (0.375)	3.56 (0.014)	10-12 AWG (6-4 mm ²)
	35–50	158.04 (6.222)	20.65 (0.813)	6.7 (0.264)	14.25 (0.561)	10.25 (0.404)	4.7 (0.185)	8 AWG (10mm ²)
SPXI-B	2.5–4	85.4 (3.362)	10.31 (0.406)	6.7 (0.264)	14.25 (0.561)	10.25 (0.404)	4.7 (0.185)	8 AWG (10mm ²)
	4.5–20	114.05 (4.49)	10.31 (0.406)	6.7 (0.264)	14.25 (0.561)	10.25 (0.404)	4.7 (0.185)	8 AWG (10mm ²)
	35–60	163.58 (6.44)	20.65 (0.813)	8.5 (0.335)	17.02 (0.67)	13.72 (0.54)	5.5 (0.217)	6 AWG
SPXI-M	25–32	110.06 (4.333)	10.31 (0.406)	5.59 (0.22)	12.26 (0.483)	9.53 (0.375)	3.56 (0.014)	10-12 AWG (6-4 mm ²)
SPXI-BM	25–32	114.05 (4.49)	10.31 (0.406)	6.7 (0.264)	14.25 (0.561)	10.25 (0.404)	4.7 (0.185)	8 AWG (10mm ²)

Solar Products

SPNH SERIES SOLAR FUSE

1500 V dc • 50–400 A • NH Style



Description

The SPNH series has been designed to meet the emerging circuit protection needs for 1500 volt photovoltaic systems. These fuses provide full range protection for all potential overcurrent conditions that exist in PV applications. Suitable for PV inverter protection and array combiner applications.

Features/Benefits

- Compact NH XL sizes
- Low watt loss design
- 1500 V dc rating for high efficiency designs
- Designed to protect against a full range of overcurrents

Applications

- Inverters
- Re-combiner boxes
- Array/Re-combiner application
- PV Inverter dc input protection

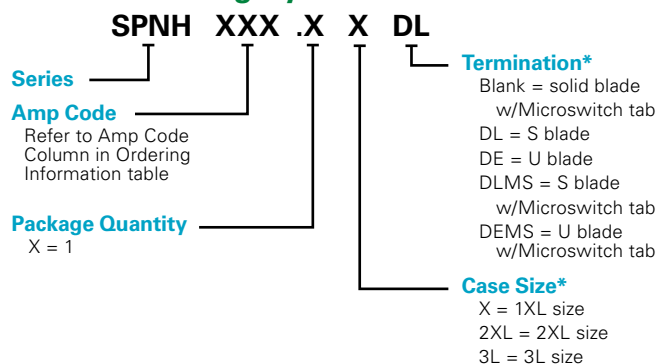
Web Resources

- Download technical documents: Littelfuse.com/spnh

Specifications

Voltage Rating	1500 V dc
Amperage Rating	50, 63, 80, 100, 125, 160, 200, 250, 315, 350, 400
Interrupting Rating	30 kA
Time Constant	≤ 2 ms
Material	Body: ceramic End Bells: copper alloy
Approvals	UL 248-19 Listed (File: E339112)
Applicable Standards	UL 248-1, 248-19 IEC 60269-6
Environmental	RoHS Compliant

Part Numbering System



SERIES	AMP	PACKAGE QUANTITY	CATALOG NUMBER	ORDERING NUMBER
SPNH	50	1	SPNH050	SPNH050.X
SPNH	200	1	SPNH200	SPNH200.X
SPNH	400	1	SPNH400	SPNH400.XXDLMS

*Solid blade option for 1XL case size does not require a case or termination designator for the part number.

Recommended Accessories

1XL Case Size

Fuse Holder: LFNH152001CST
Fuse Terminal Covers: LFNH15200FBC

2XL Case Size

Fuse Holder: LFNH154001CST
Fuse Terminal Covers: LFNH15400FBC

3L Case Size

Fuse Holder: LFNH156301CST
Fuse Terminal Covers: LFNH15630FBC

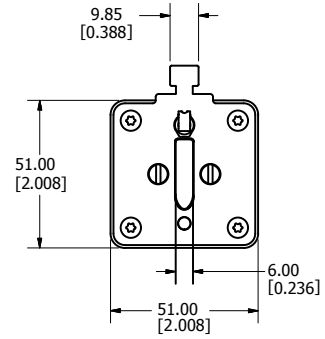
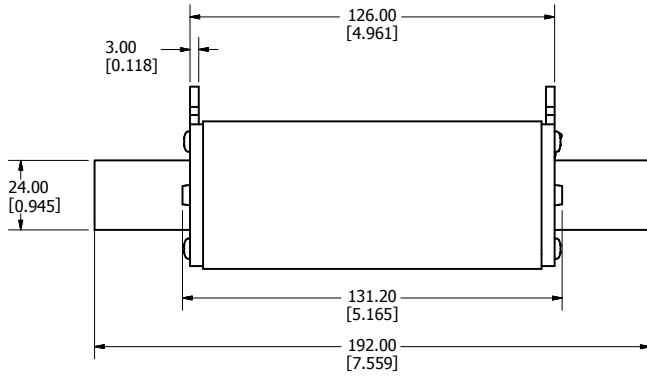
Microswitch

MSSPNH1500X

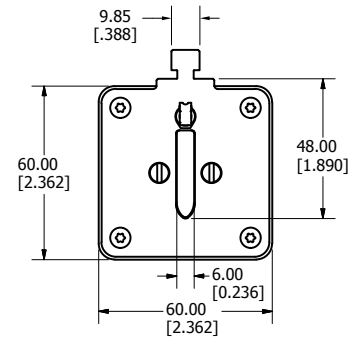
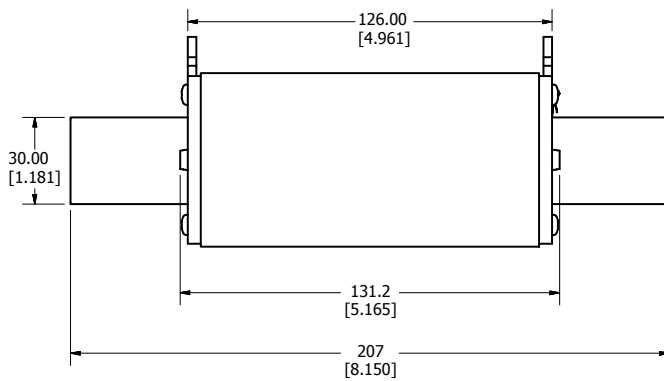


Dimensions Millimeters (in)

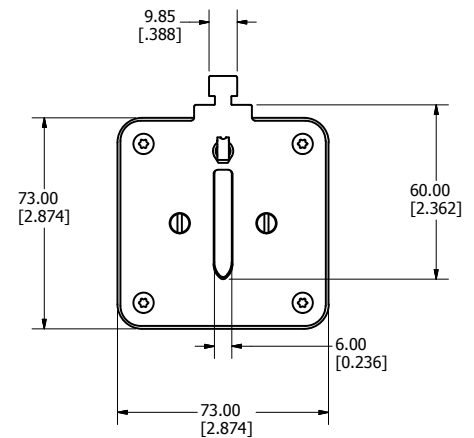
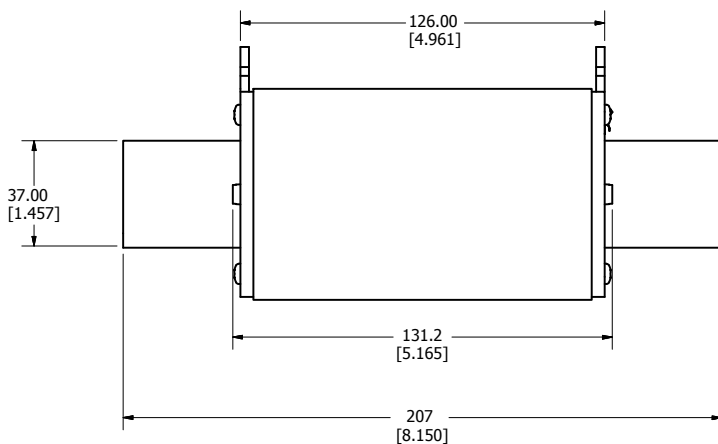
Size: 1 XL w/ Microswitch Tab



Size: 2 XL w/ Microswitch Tab



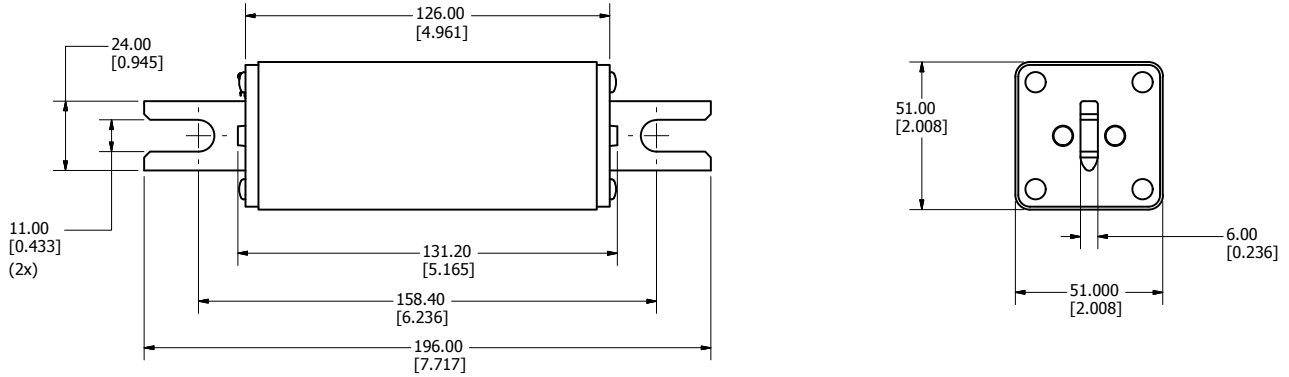
Size: 3 L w/ Microswitch Tab



Dimensions Millimeters (in)

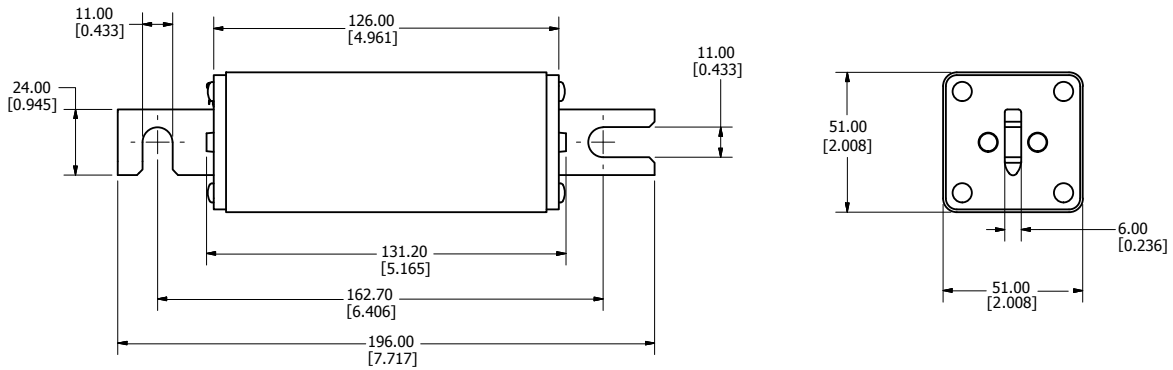
Size: 1XL DE Blade

Recommended Torque: 44 Nm*



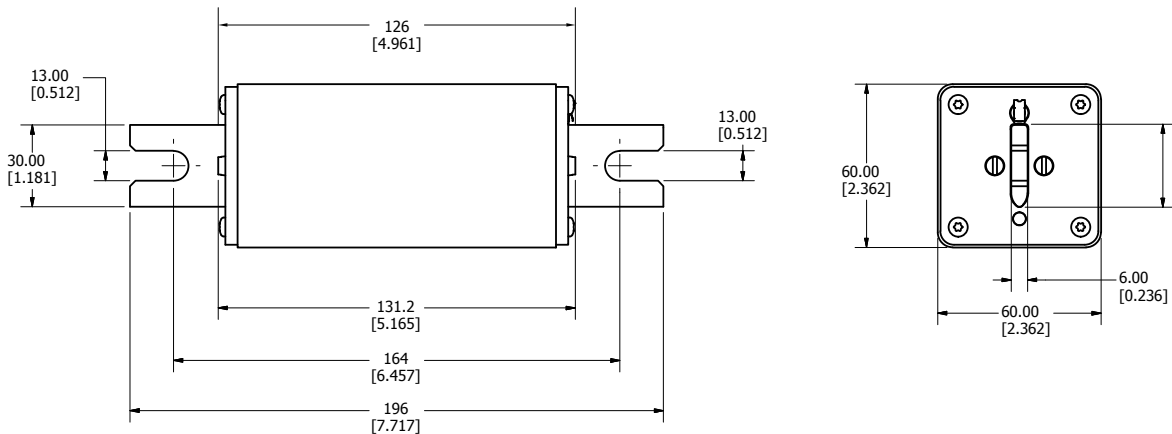
Size: 1XL DL Blade

Recommended Torque: 44 Nm*



Size: 2 XL DE Blade

Recommended Torque: 77 Nm*

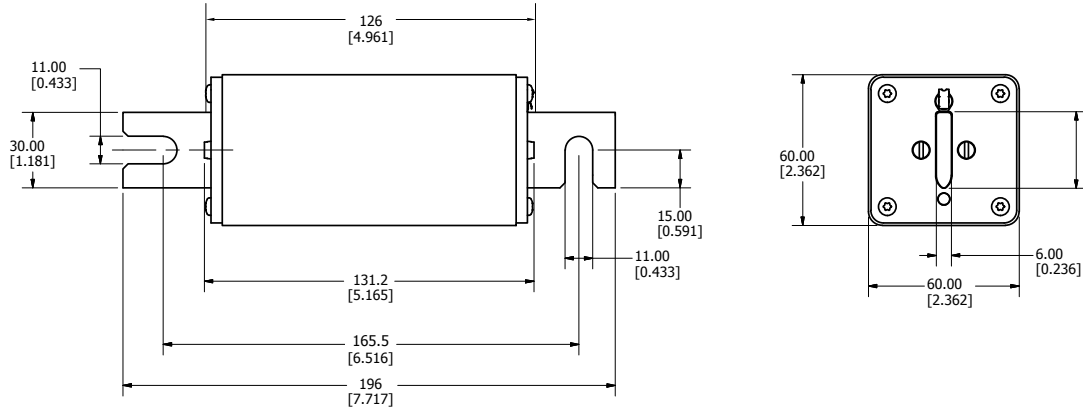


*recommended torque values are for grade 8 steel hardware

Dimensions Millimeters (in)

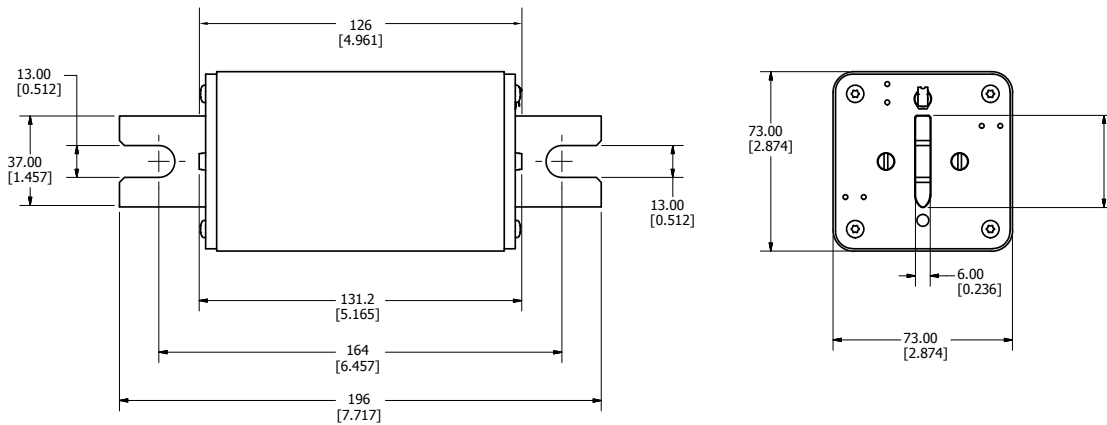
Size: 2 XL DL Blade

Recommended Torque: 44 Nm*



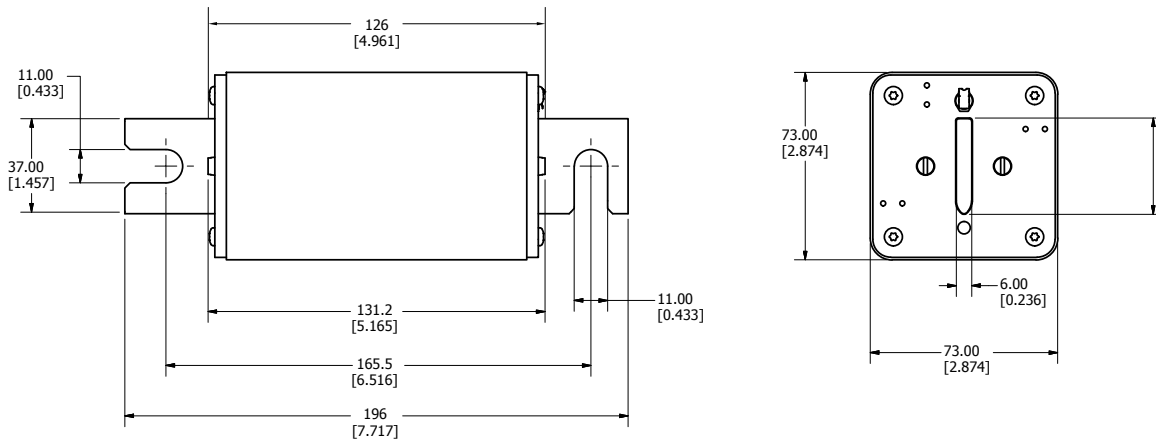
Size: 3 L DE Blade

Recommended Torque: 77 Nm*



Size: 3 L DL Blade

Recommended Torque: 44 Nm*

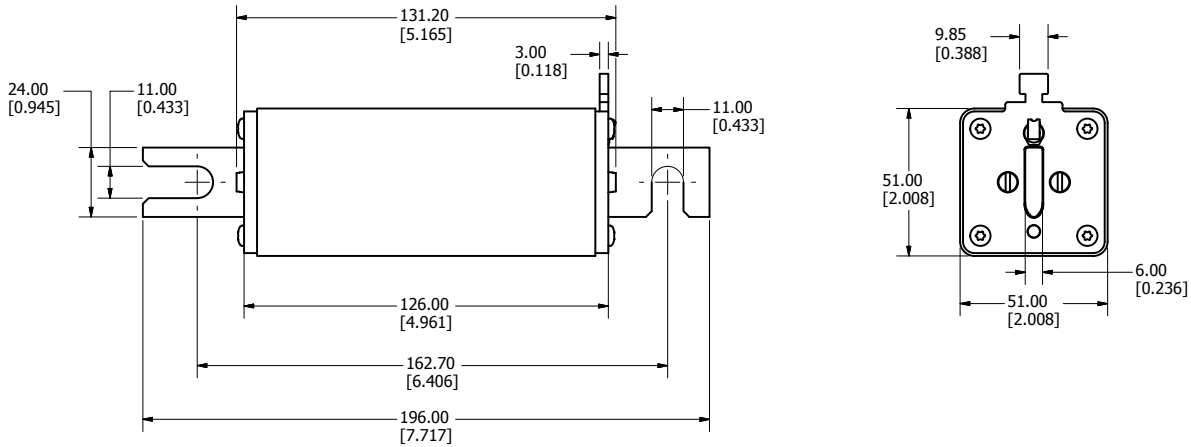


*recommended torque values are for grade 8 steel hardware

Dimensions Millimeters (in)

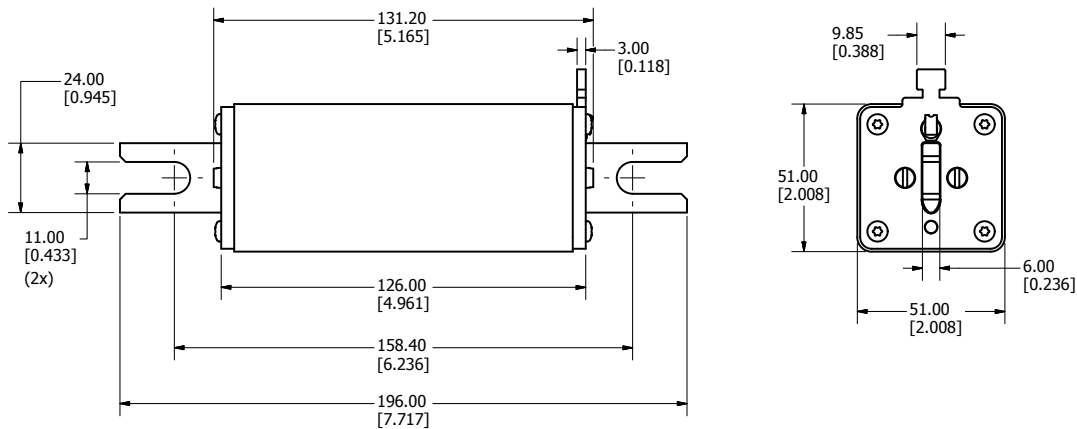
Size: 1 XL DL Blade w/ Microswitch Tab

Recommended Torque: 44 Nm*



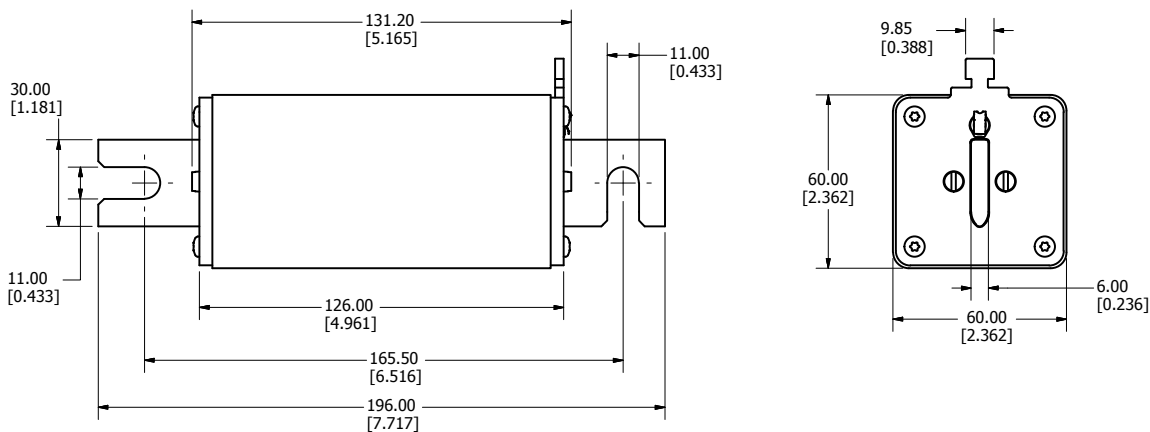
Size: 1 XL DE Blade w/ Microswitch Tab

Recommended Torque: 44 Nm*



Size: 2 XL DL Blade w/ Microswitch Tab

Recommended Torque: 44 Nm*

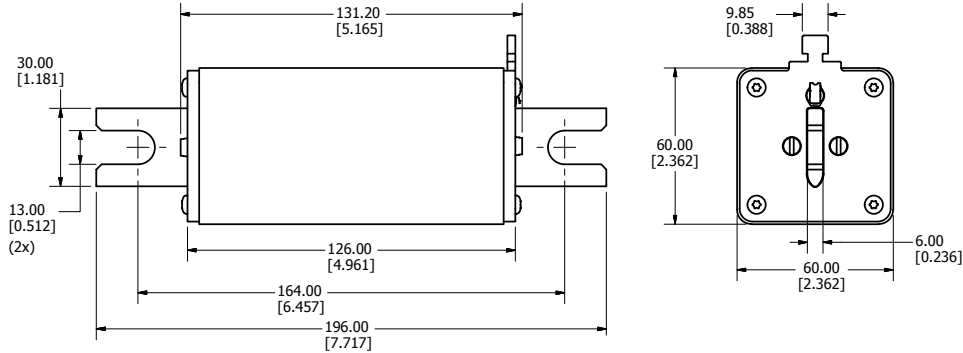


*recommended torque values are for grade 8 steel hardware

Dimensions Millimeters (in)

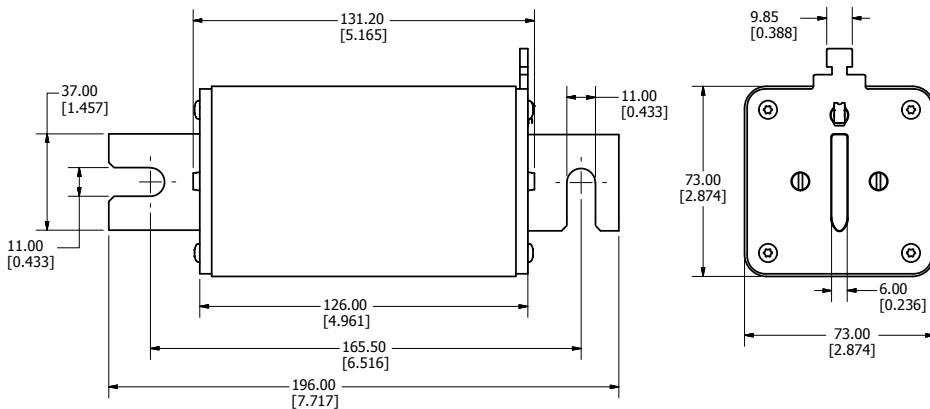
Size: 2 XL DE Blade w/ Microswitch Tab

Recommended Torque: 77 Nm*



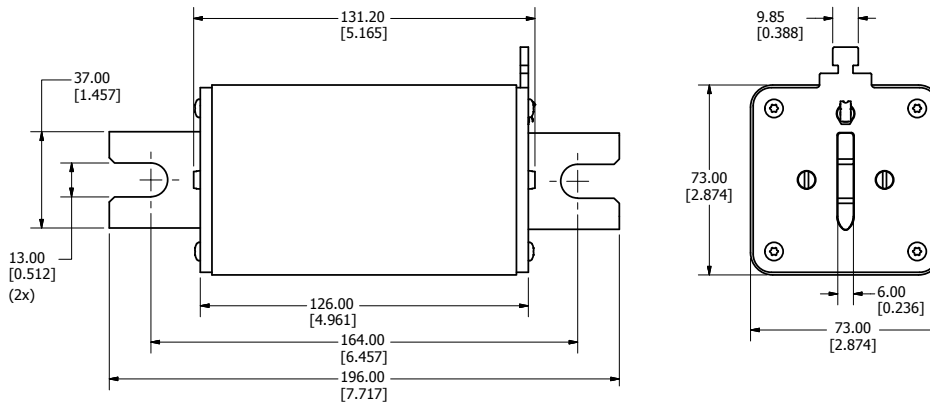
Size: 3 L DL Blade w/ Microswitch Tab

Recommended Torque: 44 Nm*



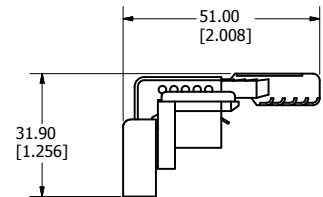
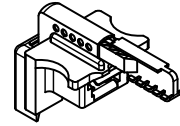
Size: 3 L DE Blade w/ Microswitch Tab

Recommended Torque: 77 Nm*



*recommended torque values are for grade 8 steel hardware

Microswitch MSSPNH1500X



1

Solar Products

LFXV15 SERIES FUSE BLOCK & COVER

1500 V • 35–60 A

REACH    

1



Description

The Littelfuse LFXV15 series fuse block and cover is designed to hold 1500 V size 20 x 127 mm fuses rated 35–60 amperes. Suitable for photovoltaic systems (string and high-capacity combiner boxes) with fault currents up to 50 kA.

With available ampere ratings up to 60 A, more strings can be pre-combined in harnesses to reduce the number of inputs into combiner boxes, thereby decreasing installation time and labor costs.

Features/Benefits

- Dead-front cover design offers personnel protection
- Ventilated design keeps the fuse running cooler, even at high ambient temperatures and current ratings, to increase fuse longevity
- Narrower width accommodates more blocks in a panel to maximize space
- Designed for easy fuse removal and replacement to minimize maintenance time. No tools required
- 35 mm DIN-rail mounting option for quick assembly and installation
- Accepts both wire and busbar for added flexibility

Recommended Fuses

Littelfuse SPXV 20 x 127 mm fuses rated 35–60 amperes.

Ordering Information

VOLTAGE (V dc)	AMPERE RATING	POLES	FUSE BLOCK & COVER ORDERING NUMBER	CONNECTOR TYPE	DRIVE	TORQUE	WIRE RANGE	WIRE TYPE	
1500	60	1	LFXV15060-BC*	Box Lug	3/16 Inch Hex	5.6 N-m (50 lb-in)	2–4 AWG (35–25 mm ²)	CU only	Stranded
						2.8 N-m (25 lb-in)	6–14 AWG (16–2.5 mm ²)		

*For replacement only: Fuse Block LFXV150601C or Cover LFXV15060FBC

Specifications

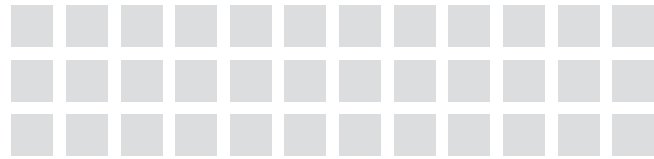
Voltage Ratings	1500 V dc
Amperage Rating	60 A
Withstand Rating	50 kA
Power Dissipation	24.1W Maximum
Fuse Size	20 x 127 mm
Material	Thermoplastic
	Fuse Clip: Tin-plated copper alloy
	Screws: Tin-plated aluminum
Operating Temperature	-55 °C to +125 °C
Flammability Rating	UL94 V-0
Temperature Stability	Base: 130 °C
	Cover: 140 °C
Approvals	Block: UL 4248-19 Listed (File E345481)
	Cover: UL Listed Fuse Accessory (File E184929)
Environmental	RoHS compliant, Lead (Pb) free, REACH
Recommended DIN Rail	TH 35-7.5 per IEC 60715

WIRE TYPE	
75 °C or 90 °C CU Only Stranded	UL Class B and Class C wire IEC Class 5 Flexible Wire (self-certified)

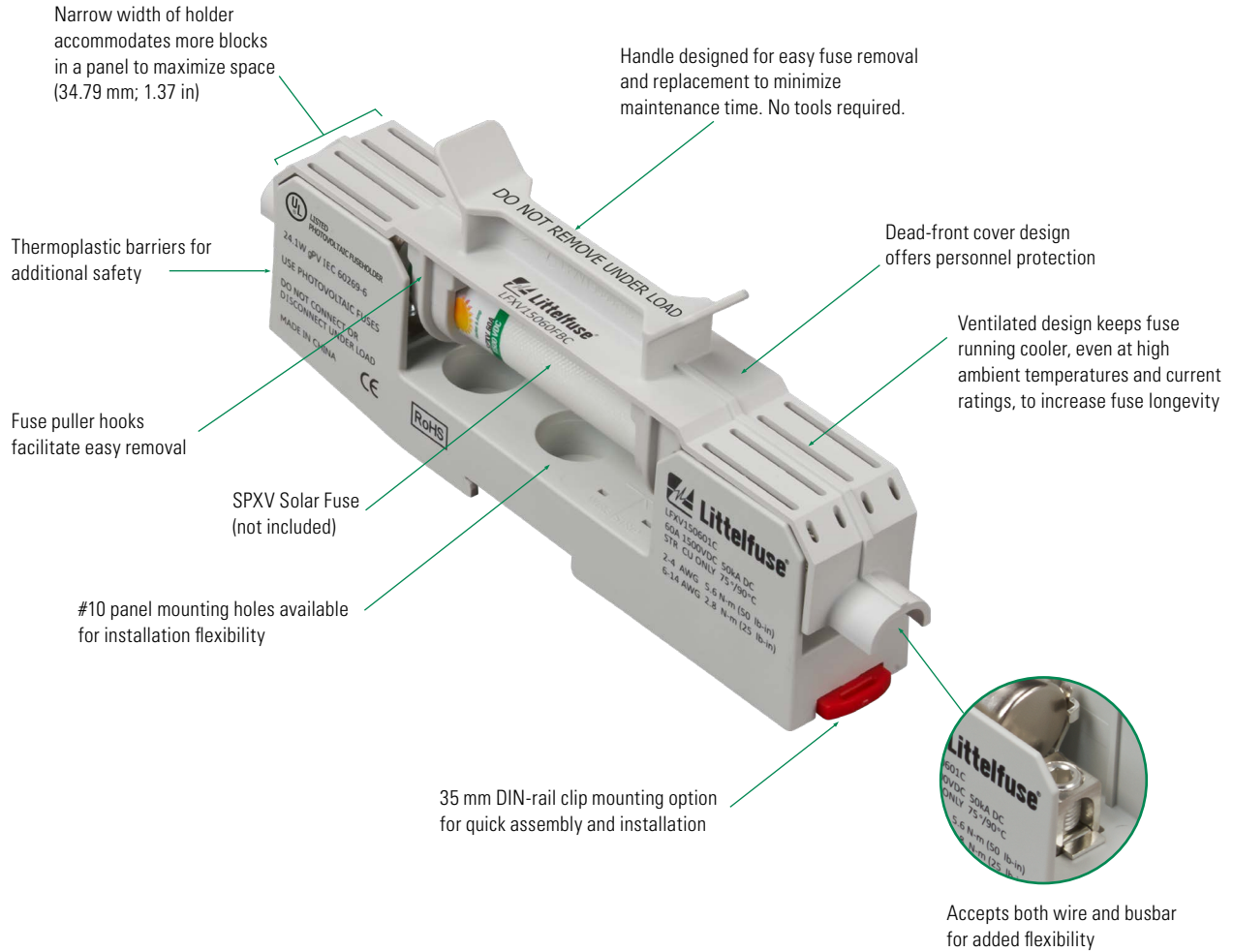
BUSBAR SPECIFICATIONS			
TERMINAL	THICKNESS	WIDTH	TORQUE
Maximum	0.250 in (6.35 mm)	0.290 in (7.37 mm)	25 lb-in (2.8 N-m)
Minimum	0.125 in (3.18 mm)	0.200 in (5.08 mm)	25 lb-in (2.8 N-m)

Web Resources

Download the complete datasheet and other technical documents: [Littelfuse.com/LFXV15](https://www.littelfuse.com/LFXV15)



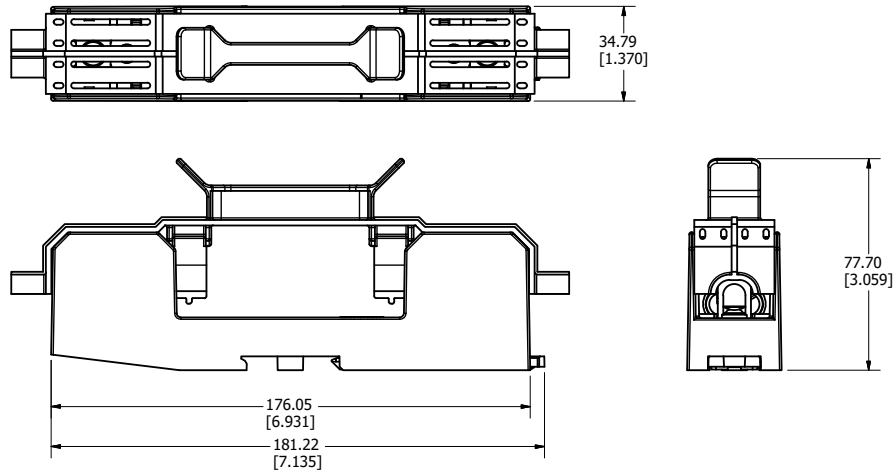
LFXV15 Features & Benefits



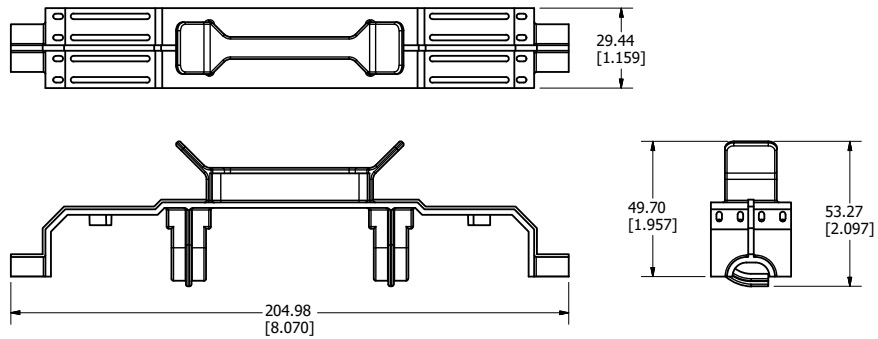
1

Dimensions Millimeters (in)

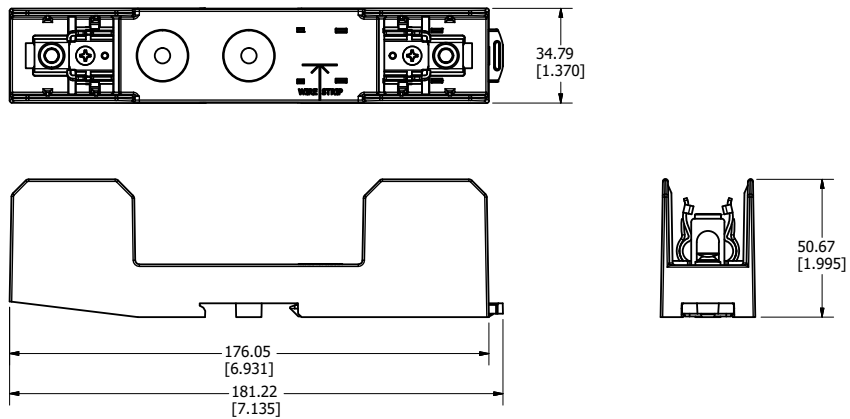
Fuse Block & Cover Assembly: LFXV15060-BC



Fuse Cover: LFXV15060FBC



Fuse Block: LFXV150601C



Solar Products

LFPXV TOUCH-SAFE FUSE HOLDERS

1500 V • 30 A



Description

The Littelfuse LFPXV fuse holder is designed to hold 1500 V 10x85 mm fuses.

Features/Benefits

- Finger-safe design offers personnel protection
- No fuse pullers or tools required for fuse removal
- 35 mm DIN-rail mountable
- Evaluated for use with copper alloy busbars
- Compact design

Recommended Fuses

Littelfuse SPXV/SPXV-S Fuses

Web Resources

Download the complete datasheet and other technical documents: Littelfuse.com/LFPXV

Ordering Information

SERIES	VOLTAGE (V dc)	POLES	CATALOG NUMBER	ORDERING NUMBER	PACK QTY	TERMINAL INFORMATION			
						TERMINAL TYPE	NUMBER OF WIRES	WIRE SIZE	TORQUE
LFPXV	1500	1	LFPXV001	LFPXV0001Z	20	Box Lug	1	4-14 AWG (25-2.5 mm ²)	24-28 lb-in (2.71-3.16 N-m)
							1	16-18 AWG (1.5-0.75 mm ²)	18-22 lb-in (2.03-2.49 N-m)
							2*	6-14 AWG (16-2.5 mm ²)	26-30 lb-in (2.94-3.69 N-m)
							2*	16-18 AWG (1.5-0.75 mm ²)	20-24 lb-in (2.26-2.71 N-m)

*Must be the same cross-sectioned size

Specifications

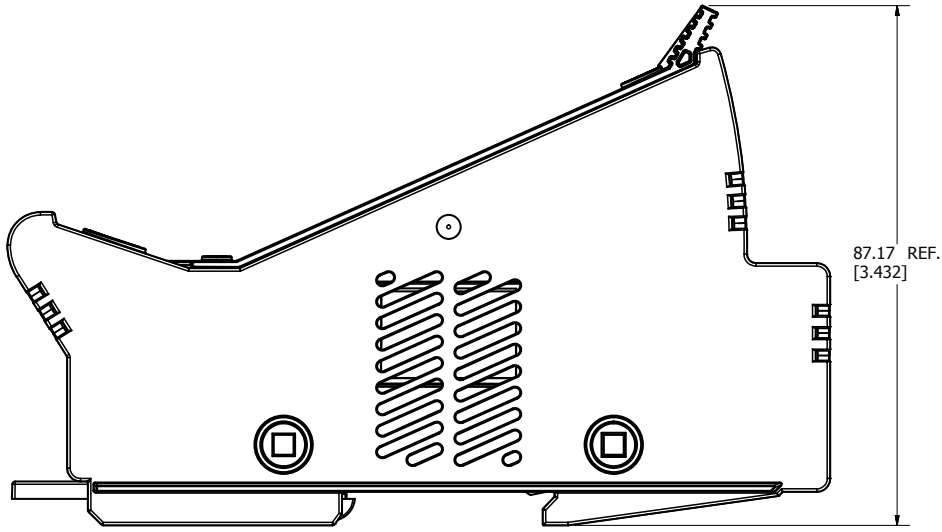
Voltage Ratings	1500 V dc
Amperage Rating	30 A UL, 32 A Littelfuse self-certified
SCCR Rating	50 kA
Power Dissipation	8W maximum
Fuse Type	10 x 85 mm
Material	Thermoplastic
	Fuse Clip: Silver-plated copper alloy
	Screws: Zinc-plated steel
Operating Temperature	-55 °C to +125 °C
Flammability Rating	UL94 V-0
Temperature Stability	Body: 130 °C Carrier: 140 °C
Approvals	UL 4248-19 Listed (File: E345481) IEC 60269-6
Environmental	RoHS compliant, Lead (Pb) free, REACH
Recommended DIN Rail	TH 35-7,5 per IEC 60715

MATERIAL AND TEMP RATING	WIRE TYPE
75 °C or 90 °C CU Only Stranded	UL Class B and Class C wire
	AlphaWire PV Series Photovoltaic Wire
	IEC Class 5 Flexible Wire

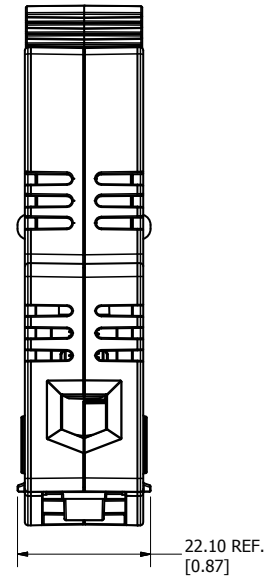
BUSBAR SPECIFICATIONS			
TERMINAL	THICKNESS	WIDTH	TORQUE
Maximum	0.188 in (4.78 mm)	0.290 in (7.37 mm)	24-28 lb-in (2.71-3.16 N-m)
Minimum	0.125 in (3.18 mm)	0.200 in (5.08 mm)	

1

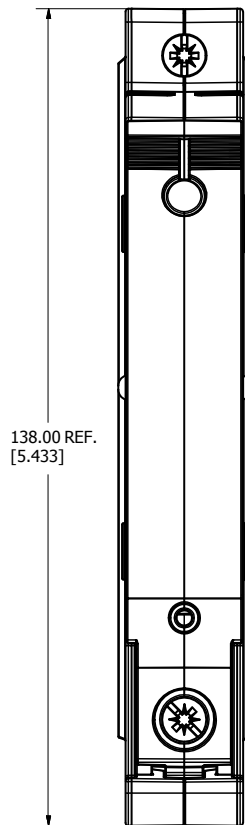
Dimensions Millimeters (in)



Side View



Top View



Front View



Description

The LFNH series fuse block is specifically designed for the Littelfuse SPNH 1500 V solar fuse. It meets UL electrical requirements, is available in multiple case sizes and has an optional cover to enclose the lugs.

Features/Benefits

- Narrow width increases space savings
- Range of amperages to match all SPNH fuse options

Specifications

Voltage Rating	1500 V dc
Ampere Rating	200, 400, 630 A
Interrupt Rating	30 kA
Termination Type	Stud Mount
Base Temp Rating	
Approvals	UL4248-1 UL4248-19 FILE: E345481 Vol. 2
Environmental	RoHS Compliant
Material	Fuse Clip: Silver-Plated Copper Spring: Zinc-Plated Steel Mounting Plate: Zinc-Plated Steel Insulator: Ceramic

Recommended Fuses

SPNH Series

Web Resources

For sample requests, downloadable CAD drawings, dimensions and other technical information:

Littelfuse.com/LFNH

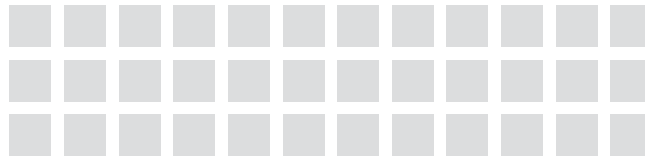
For a comprehensive overview of solar market solutions, visit:

Littelfuse.com/solar

Ordering Information

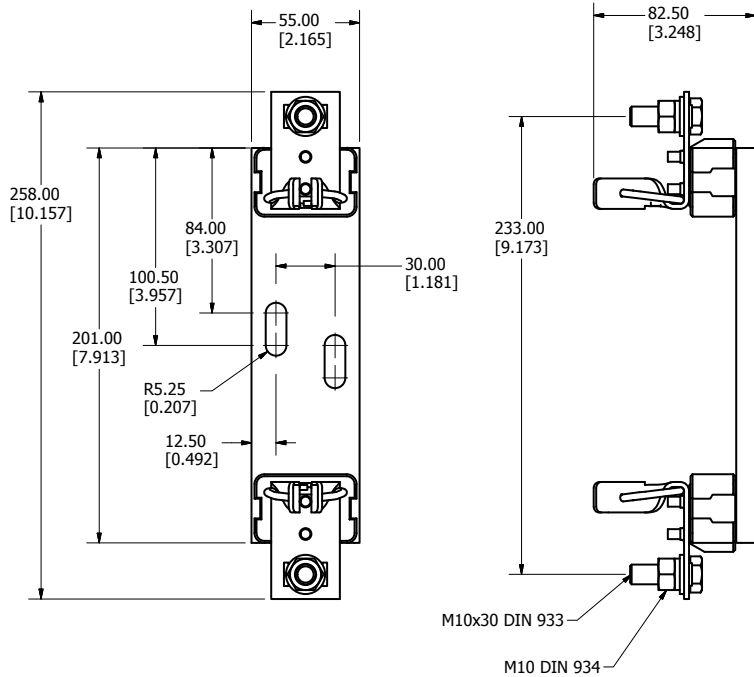
AMPERAGE	ORDERING NUMBER	FUSE SIZE	RECOMMENDED TORQUE		TERMINAL COVER ORDERING NUMBER*
			TERMINAL	BASE	
200	LFNH152001CST	NH1XL	283 in-lb (32 N-m)	132 in-lb (15 N-m)	LFNH15200FBC
400	LFNH154001CST	NH2XL	283 in-lb (32 N-m)	132 in-lb (15 N-m)	LFNH15400FBC
630	LFNH156301CST	NH3L	283 in-lb (32 N-m)	132 in-lb (15 N-m)	LFNH15630FBC

*Terminal covers sold separately

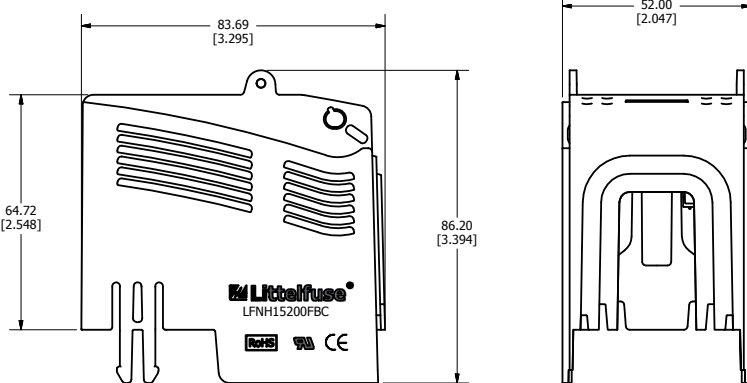


1

Dimensions Millimeters (in)



Fuse Block
LFNH152001CST



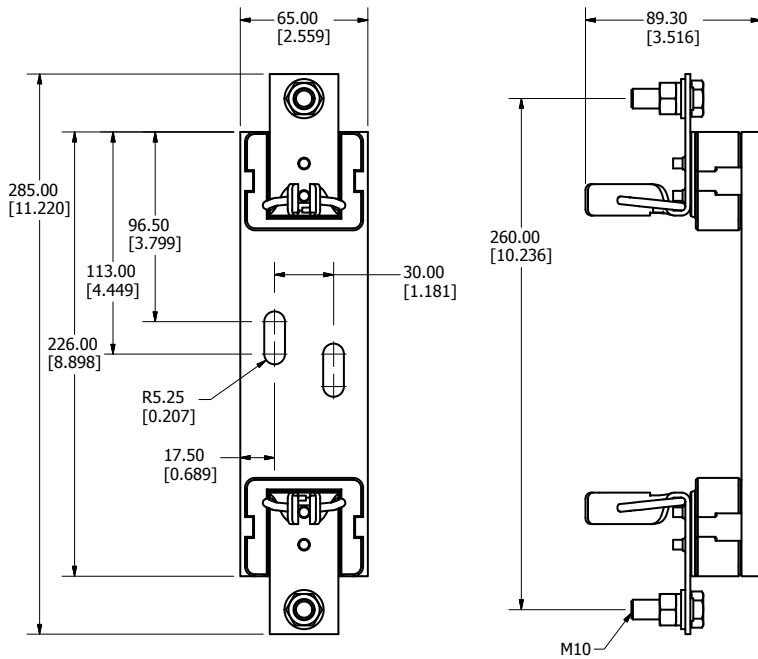
Fuse Terminal Cover
LFNH15200FBC

Specifications

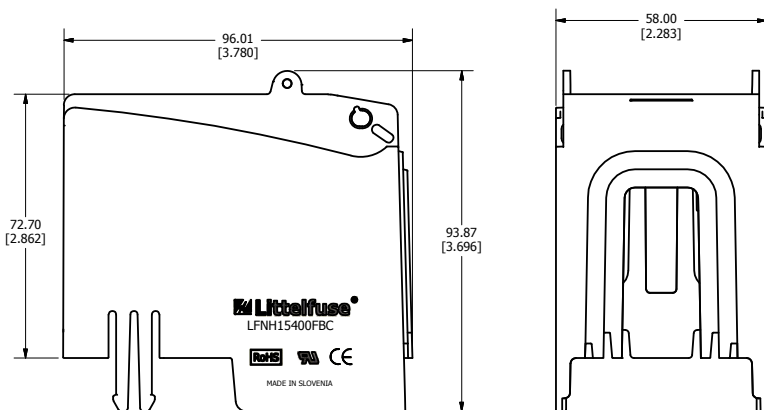
Voltage Rating:	1500 V
Ampere Rating:	200 amperes
Flammability Rating:	UL 94 V-0
Material:	V0-rated Nylon
Packaging:	Sold in pairs



Dimensions Millimeters (in)



Fuse Block
LFNH154001CST



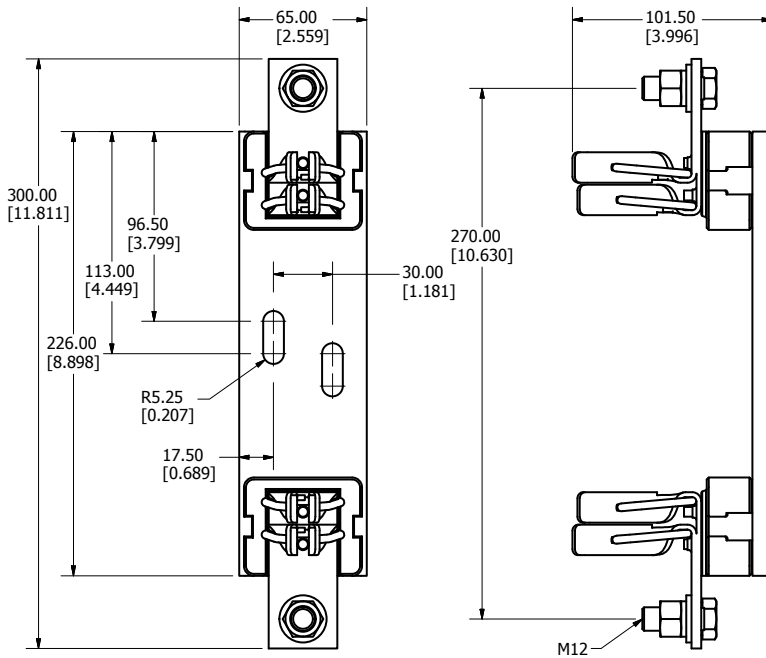
Fuse Terminal Cover
LFNH15400FBC

Specifications

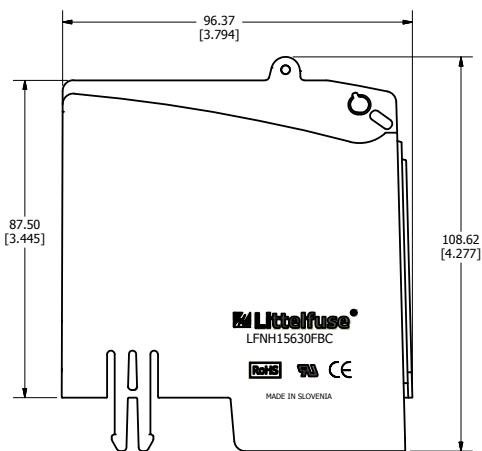
- Voltage Rating:** 1500 V
- Ampere Rating:** 400 amperes
- Flammability Rating:** UL 94 V-0
- Material:** V0-rated Nylon
- Packaging:** Sold in pairs

1

Dimensions Millimeters (in)



Fuse Block
LFNH156301CST



Fuse Terminal Cover
LFNH15630FBC

Specifications

- Voltage Rating:** 1500 V
- Ampere Rating:** 630 amperes
- Flammability Rating:** UL 94 V-0
- Material:** V0-rated Nylon
- Packaging:** Sold in pairs

Solar Products

SPFJ SERIES SOLAR FUSE

1000 V dc • 70–450 A



Description

The SPFJ series is the smallest 1000 V dc 70–450 A photovoltaic (PV) fuse available in the market. The SPFJ series is manufactured in Class J case sizes that allows for both fuse holder and busbar mounting configuration. The SPFJ meets both UL and IEC requirements.

Features/Benefits

- Meets UL and IEC photovoltaic standards
- Small footprint reduces panel size
- Flexibility of fuse holder or busbar mounting
- Higher amperage solar fuses in standard sizes
- UL Listed branch and feeder circuit rated
- Class J case sizes for the 125–450 A ratings

Applications

- Inverters
- Re-combiner boxes

Recommended Fuse Holder

LFJ1000 Solar Series

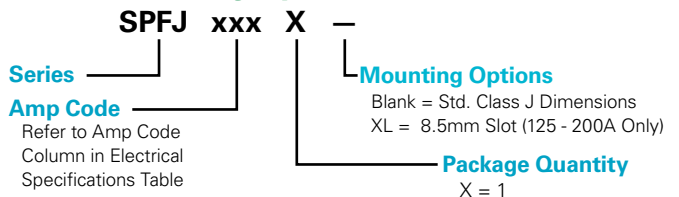
Web Resources

Download technical documents: Littelfuse.com/spfj

Specifications

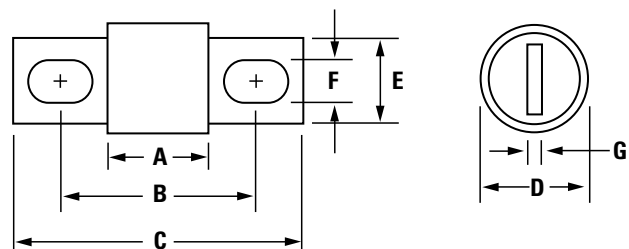
Voltage Rating	1000 V dc 600 V ac (125–450 A)
Amperage Rating	70, 80, 90, 100, 125, 160, 200, 250, 300, 350, 400, 450
Interrupting Rating	Ac: 200 kAIC (125–450 A) Dc: 70–200 A: 20 kAIC 250–400 A: 10 kAIC 450 A: 20 kAIC
Time Constant	≤ 1 ms
Material	Body: Melamine End Bells: Copper Alloy
Approvals	UL 248-19 Listed (File: E339112) UL 248-8, Class J (125–450 A) cULus (125–450 A) IEC 60269-6 (125–450 A)
Environmental	RoHS Compliant
Country of Origin	Mexico

Part Numbering System



SERIES	AMPERAGE	PACKAGE QUANTITY	CATALOG NUMBER	ORDERING NUMBER
SPFJ	70	1	SPFJ070	SPFJ070.X
SPFJ	200	1	SPFJ200	SPFJ200.XXL

Dimensions Inches (mm)



AMPERAGE	DIMENSIONS IN INCHES (MM)						
	A	B	C	D	E	F	G
70–100	3.02 (76.5)	4.38 (111.3)	5.75 (146.1)	1.5 (38.1)	1.125 (28.3)	.335 (8.5)	.189 (4.8)
125–200	3.02 (76.5)	4.38 (111.3)	5.75 (146.1)	1.5 (38.1)	1.125 (28.3)	.281 (7.1)*	.189 (4.8)
250–400	3.37 (85.7)	5.25 (133.4)	7.125 (181.0)	2.0 (50.8)	1.63 (41.3)	.406 (10.3)	.252 (6.4)
450	3.75 (95.3)	5.98 (152.0)	8.0 (203.2)	2.5 (63.5)	2.0 (50.8)	.531 (13.5)	.374 (9.5)

* SPFJ L option = 8.5 mm (UL 248-19 approval only)

Solar Products

SPF SERIES SOLAR FUSES

1000 V dc • 1–30 A



2



Description

The SPF Solar Protection Fuse series has been specifically designed for the protection of photovoltaic (PV) systems. This family of midget-style fuses (10 x 38 mm) can safely protect PV modules and conductors from reverse-overcurrent conditions.

As PV systems have grown in size, so have the corresponding voltage requirements. This increase in system voltage has typically been intended to minimize power loss associated with long conductor runs. Standard circuit protection devices are not designed to completely protect photovoltaic panels. However, the SPF series is UL Listed to safely interrupt faulted circuits up to this demanding voltage level.

Littelfuse offers 14 ampere ratings to match specific requirements in a variety of applications.

Features/Benefits

- Meets UL and IEC photovoltaic standards
- UL 248-19 Listed 1000 V dc maximum
- 1-30 A ratings available
- 20,000 A Interrupting Rating - 1 A - 20 A
- 50,000 A Interrupting Rating - 25 A - 30 A
- Both PCB mount and dead-front holder options available

Applications

- Inverters
- Combiner boxes
- Battery charge controllers

Recommended Accessories

Fuse Holder: LPHV 1000 V dc POWR-Safe Series
 Fuse Clips: 125004/125005

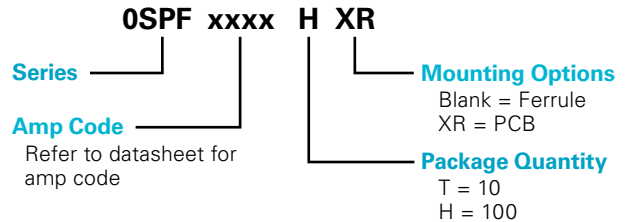
Web Resources

Download technical documents: littelfuse.com/spf

Specifications

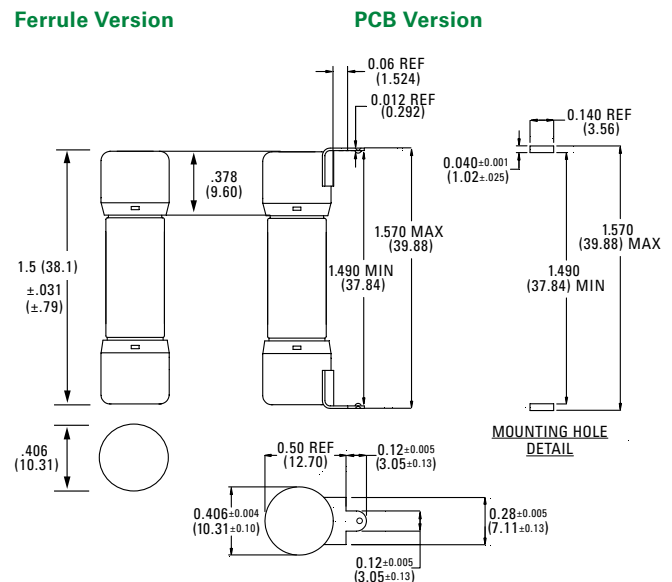
Voltage Rating	1000 V dc
Amperage Rating	1, 2, 3, 3.5, 4, 5, 6, 8, 10, 12, 15, 20, 25, 30
Max. Interrupting Rating	20 kA - 1 A - 20 A 50 kA - 25 A - 30 A
Time Constant	≤ 2 ms
Material	Body: Melamine Caps: Copper Alloy
Approvals	UL 248-19 Listed (File: E339112) IEC 60269-6 (1-30 A) CSA Certified (File: 029862_0_000)
Environmental	RoHS Compliant
Country of Origin	Mexico

Part Numbering System



SERIES	AMPERAGE	PACKAGE QUANTITY	MOUNTING METHOD	CATALOG NUMBER	ORDERING NUMBER
SPF	2	10	FERRULE	SPF002	0SPF002.T
SPF	3.5	10	FERRULE	SPF03.5	0SPF03.5T
SPF	30	100	PCB TABS	SPF030R	0SPF030.HXR

Dimensions Inches (mm)



Solar Products

SPFI SERIES IN-LINE SOLAR FUSE

1000 V dc • 2–30 A



Description

The Littelfuse SPFI solar fuse is designed to integrate into an in-line assembly within a wire harness. The fuse provides photovoltaic (PV) protection that meets UL 248-19 for photovoltaic applications. The SPFI can be electrically insulated by either overmolding or using approved heat-shrink.

Features/Benefits

- UL 248-19 Recognized
- Meets IEC 60269-6 electrical performance requirements
- 20,000 A Interrupting Rating
- No fuse holder required

Applications

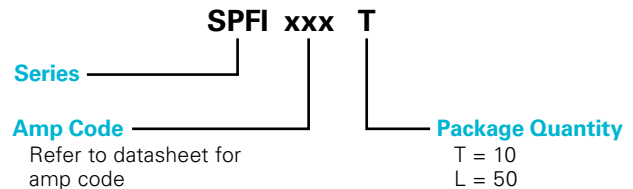
- Photovoltaic wire harness

Specifications

Voltage Rating	1000 V dc
Amperage Rating	2, 2.5, 3, 3.5, 4, 5, 6, 8, 10, 12, 15, 20, 25, 30 A
Interrupting Rating	20 kA
Time Constant	≤ 1 ms
Material	Body: Melamine Caps: Copper Alloy (Nickel Plated)
Approvals	UL 2579 Recognized (File: E339112)
Environmental	RoHS Compliant REACH
Country of Origin	Mexico
US Patent	9,564,281

2

Part Numbering System



SERIES	AMPERAGE	PACKAGE QUANTITY	CATALOG NUMBER	ORDERING NUMBER
SPFI	2	10	SPFI002	SPFI002.T
SPFI	3.5	10	SPFI03.5	SPFI03.5T
SPFI	20	50	SPFI020	SPFI020.L

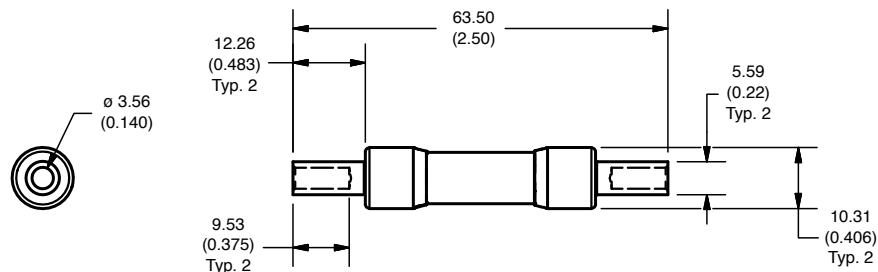
Web Resources

Downloadable CAD drawings and other technical information:
littelfuse.com/spfi

Recommended Crimping Tool

T&B Sta-Kon ERG4002

Dimensions mm (in)



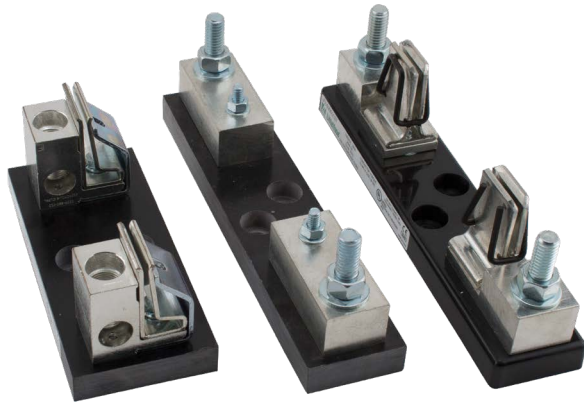
Solar Products

LFJ1000 SERIES SOLAR FUSE BLOCK

1000 V dc • Clip-to-Box • Stud-to-Stud • Clip-to-Stud



2



Clip-to-Box

Stud-to-Stud

Clip-to-Stud



Description

The LFJ1000 series fuse block is specifically designed for the Littelfuse SPFJ 1000 V Solar Fuse. It meets UL electrical requirements, is available in multiple amperages, and comes in a variety of fuse mounting and termination configuration: fuse clip to box lug, fuse stud to wire stud and fuse clip to wire stud.

Features/Benefits

- Narrow width increases space savings
- Range of amperages to match all SPFJ fuse options
- Box lug termination style accommodates a wide range of cable sizes
- Stud-mounted option increases convenience
- Approval for use with copper or aluminum lugs allowing for design flexibility

Ordering Information

(Clip-to-Box Lug 1000 V)

AMPERAGE	ORDERING NUMBER	INTERRUPT RATING	WIRE RANGE STANDARD (METRIC)	WIRE TYPE		RECOMMENDED TORQUE
200	LFJ102001C	20 kA	250 kcmil - #6 (127 mm ² - 16 mm ²)	Cu/Al	Solid/ Stranded	275 in-lb (31.1 N-m)
400	LFJ104001C	10 kA	350 kcmil - 1/0 (177 mm ² - 55 mm ²)			275 in-lb (31.1 N-m)
450	LFJ104501C	20 kA	500 kcmil - #4 (253 mm ² - 25 mm ²)			375 in-lb (42.4 N-m)

(Stud-to-Stud 1000 V)

AMPERAGE	ORDERING NUMBER	INTERRUPT RATING	RECOMMENDED TORQUE		MAX. BUSBAR THICKNESS	RECOMMENDED BASE TORQUE	
			FUSE	TERMINAL		BOLT SIZE	TORQUE
200	LFJ102001STST	20 kA	65 in-lb (7.3 N-m)	200 in-lb (22.6 N-m)	.774" (19.66 mm)	1/4" 5/16"	30-40 in-lb 40-50 in-lb
400	LFJ104001STST	10 kA	170 in-lb (19.2 N-m)	200 in-lb (22.6 N-m)	.555" (14.10 mm)		
450	LFJ104501STST	20 kA	300 in-lb (33.9 N-m)	300 in-lb (33.9 N-m)	.570" (14.18 mm)		

(Clip-to-Stud 1000 V)

AMPERAGE	ORDERING NUMBER	INTERRUPT RATING	RECOMMENDED TORQUE	MAX. BUSBAR THICKNESS	RECOMMENDED BASE TORQUE	
			TERMINAL		BOLT SIZE	TORQUE
200	LFJ102001CST	20 kA	200 in-lb (22.6 N-m)	.774" (19.66 mm)	1/4" 5/16"	30-40 in-lb 40-50 in-lb
400	LFJ104001CST	10 kA	200 in-lb (22.6 N-m)	.555" (14.10 mm)		
450	LFJ104501CST	20 kA	300 in-lb (33.9 N-m)	.570" (14.18 mm)		

Specifications

Voltage Rating	1000 V dc
Ampere Rating	200, 400, 450 A
Flammability Rating	UL 94 V-0
Termination Type	Box Lug or Stud Mount
Base Temp Rating	130 °C
Approvals	UL 4248-18 Listed File: E345481 Vol. 1 RoHS Compliant
Environmental	

Recommended Fuses

SPFJ Solar Series

Web Resources

Sample requests, downloadable CAD drawings, dimensions and other technical information:

Littelfuse.com/LFJ1000

For a comprehensive overview of solar market solutions visit:

Littelfuse.com/solar

Solar Products

LPHV POWR-SAFE FUSE HOLDERS

1000 V dc



Description

The Littelfuse LPHV fuse holder is designed to house 1000 V fuses. It is not designed for load break but is ideal for isolating photovoltaic (PV) module strings for maintenance and meets UL requirements for 1000 V solar fuse protection.

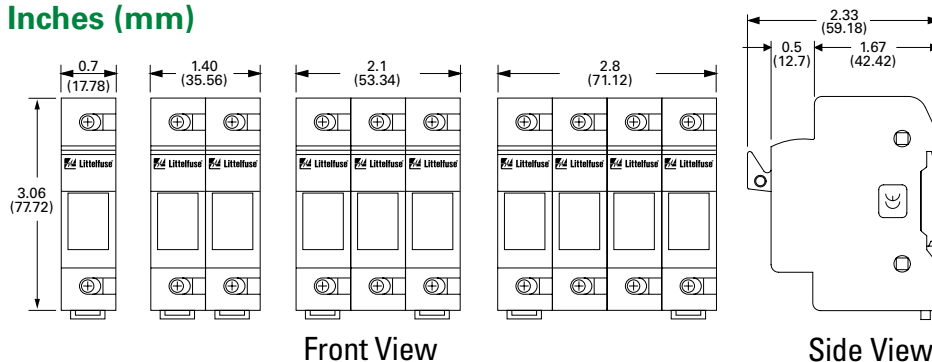
Features/Benefits

- Touch-safe design offers protection when replacing fuses
- Compact design
- 35 mm DIN-rail mountable
- Available in 1-, 2-, 3- and 4-pole configurations
- No fuse pullers or tools required for fuse removal

Ordering Information

SERIES	POLES	CATALOG NUMBER	ORDERING NUMBER	TERMINAL TYPE	WIRE TYPE	WIRE RANGE	TERMINAL TORQUE	ROHS
LPHV	1	LPHV001	LPHV0001Z	Pressure Plate	75 °C or 90 °C CU Only	#8-14 AWG (2-10 mm ²) / [#10-14 AWG (2-6 mm ²)]	17.7 in-lbs (2 N-m)	•
LPHV	2	LPHV002	LPHV0002Z					•
LPHV	3	LPHV003	LPHV0003Z					•
LPHV	4	LPHV004	LPHV0004Z					•

Dimensions Inches (mm)



Specifications

Voltage Rating	1000 V dc
Amperage Rating	30 A
SCCR Rating	20 kA
Power Dissipation	4 W Maximum
Fuse Type	10 X 38 mm up to 1000 V dc
Material	Thermoplastic
Flammability Rating	UL 94 V-0
Approval	Self-certified 1000 V dc IEC 60269-2, -4, -6
Environmental	RoHS compliant, Lead (Pb) Free

Multi-Pole Assembly Kit

Kits are used to create multi-pole holders from 1-pole LPHV fuse holders. Please contact factory for more information.

ORDERING NUMBER	DESCRIPTION
CYHP001	20 Connector Pincers & 10 Handle Pins
CYHP002	Connector Pincer Only
CYHP003	Handle Pin Only

Web Resources

Sample requests, downloadable CAD drawings and other technical information: Littelfuse.com/lphv

More information about solar applications: Littelfuse.com/solar

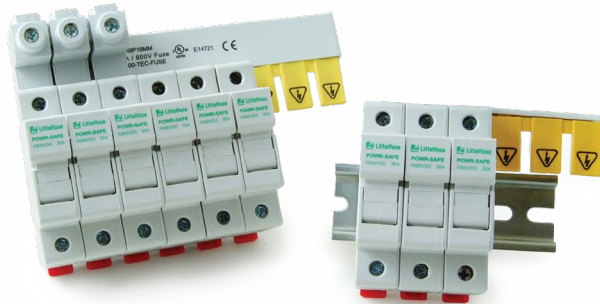
Recommended Fuses

10 x 38 mm 1000 V dc Fuses
SPF 1000 V Series
FLU 1000 V Series

Solar Products

BUS BAR SYSTEM

POWR-BAR Distribution



Description

A key objective for panel designers is safe distribution of power to multiple fuse holders in a compact design. The Littelfuse UL 508 Listed bus bar system eliminates most wire terminations in a timesaving package. A power distribution block and associated conductors are no longer needed to feed multiple POWR-safe fuse holders.

Features/Benefits

- Touch-safe design offers protection when replacing fuses
- Compact design
- 35mm DIN-rail mountable
- Available in one and three phase configurations
- Can be cut down to optimal size

Recommended Fuse Holders

Littelfuse LFPSM / LFPSC / LPSM / LPSC (600 V)
Littelfuse LPHV (1000 V)

Web Resources

Download technical documents: Littelfuse.com/busbar

Specifications

Voltage Ratings 600 V ac/dc
1000 V dc*

Current Ratings

CROSS SECTION (mm ²)	18 mm ²	25 mm ²
END FED	80 A	100 A
CENTER FED	160 A	200 A

SCCR 10 kA, 100 kA¹
Conductor Copper
Pitch 17.8 mm
Approvals UL 508 Listed (File E328654)
Environmental RoHS Compliant
Lead (Pb) free

*1 Phase 18 mm² rated 1000 V dc up to 160 A when center fed
 1 Phase 25 mm² rated 1000 V dc up to 200 A when center fed
¹When protected directly upstream by Class J 175 amperes max (18 mm² bus bar) and Class J 200 amperes max (25 mm² bus bar).

Ordering Information

1 PHASE, 18 mm ²			1 PHASE, 25 mm ²		
ORDERING NUMBER	POLES	LENGTH (mm)	ORDERING NUMBER	POLES	LENGTH (mm)
1PH3P18mm	3	50	1PH3P25mm	3	50
1PH4P18mm	4	79	1PH4P25mm	4	79
1PH6P18mm	6	104	1PH6P25mm	6	104
1PH9P18mm	9	155	1PH9P25mm	9	155
1PH12P18mm	12	208	1PH12P25mm	12	208
1PH15P18mm	15	270	1PH15P25mm	15	270
1PH57P18mm	57	1009	1PH57P25mm	57	1009

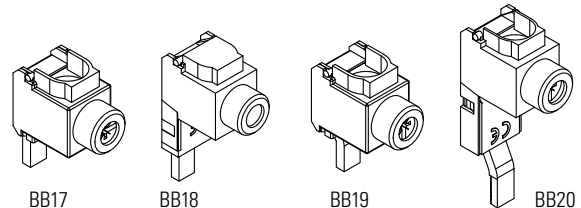
3 PHASE, 18 mm ²			3 PHASE, 25 mm ²		
ORDERING NUMBER	POLES	LENGTH (mm)	ORDERING NUMBER	POLES	LENGTH (mm)
3PH6P18 mm	6	104	3PH6P25 mm	6	104
3PH9P18 mm	6	158	3PH9P25 mm	9	158
3PH12P18 mm	12	214	3PH12P25 mm	12	214
3PH15P18 mm	15	266	3PH15P25 mm	15	266
3PH57P18 mm	57	1009	3PH57P25 mm	57	1009

Endcaps are standard with all 3 phase configurations except 57-pole. Endcaps are not needed for the 1 phase configurations from the factory or if the copper bus is trimmed per the supplied instructions. Power feed lugs and protective covers are extra.

Accessories

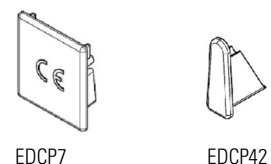
Power Feed Lug

PART NUMBER	AMPERAGE RATING	VOLTAGE (ac/dc)	WIRE RANGE	WIRE TYPE	TORQUE
BB17	115	1000	#10 - 1/0 AWG	CU	50 lb-in
BB18	115	1000	#10 - 1/0 AWG	CU	50 lb-in
BB19	115	1000	#10 - 1/0 AWG	CU	50 lb-in
BB20	115	1000	#10 - 1/0 AWG	CU	50 lb-in



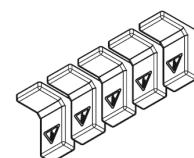
Endcaps

PART NUMBER	PHASE	QUANTITY
EDCP42	Single	50
EDCP7	Three	50



Pole Protective Covers

PART NUMBER	QUANTITY
CTPT5	5



Solar Products

LPSC / LPSM POWR-SAFE FUSE HOLDERS

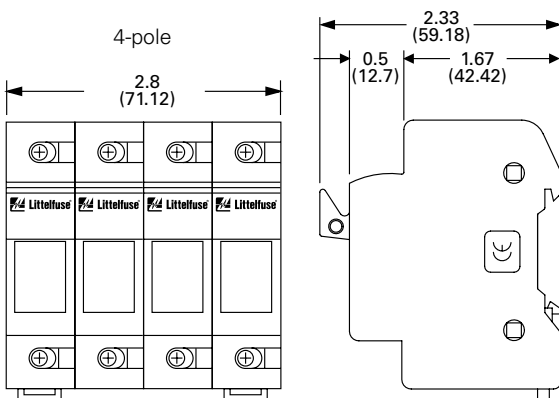
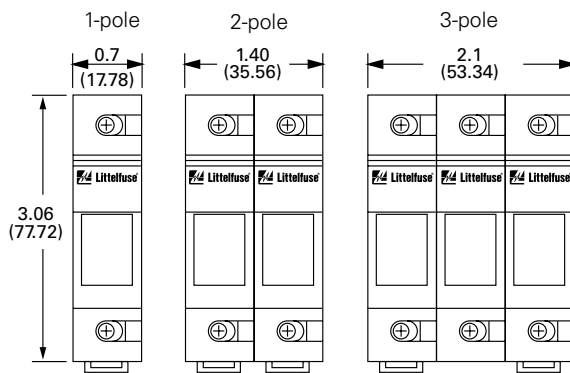
600 V



Description

Littelfuse POWR-Safe dead front holders provide optimum protection to personnel for Class CC and midget-style fuses.

Dimensions Inches (mm)



Features/Benefits

- Indicating and non-indicating options available
- 1-, 2-, 3- and 4-pole configurations
- Easy installation and fuse removal with no additional pullers or tools required
- 35 mm DIN-rail mountable
- Ventilated design for cooler operation

Specifications

Voltage Rating	600 V ac/dc
Ampere Rating	30 A
Interrupting Rating	200 kA (Class CC) 100 kA (midget)
Terminal Type	Pressure plate
Suggested Torque	17.7 in-lbs
Wire Range	#8-#14 CU
Material	Thermoplastic
Flammability Rating	UL 94 V-0
Approvals	UL Listed (LPSC File: E14721) UL Recognized (LPSM File: E14721) CSA Certified (LPSC/LPSM File: LR7316)
Environmental	RoHS compliant, Lead (Pb) Free

Ordering Information

INDICATING		NON-INDICATING		FUSE TYPE	POLES
CATALOG NUMBER	ORDERING NUMBER	CATALOG NUMBER	ORDERING NUMBER		
LPSC001ID	LPSC0001ZXID	LPSC001	LPSC0001Z	Class CC	1
LPSC002ID	LPSC0002ZXID	LPSC002	LPSC0002Z	Class CC	2
LPSC003ID	LPSC0003ZXID	LPSC003	LPSC0003Z	Class CC	3
LPSC004ID	LPSC0004ZXID	LPSC004	LPSC0004Z	Class CC	4
LPSM001ID	LPSM0001ZXID	LPSM001	LPSM0001Z	Midget	1
LPSM002ID	LPSM0002ZXID	LPSM002	LPSM0002Z	Midget	2
LPSM003ID	LPSM0003ZXID	LPSM003	LPSM0003Z	Midget	3
LPSM004ID	LPSM0004ZXID	LPSM004	LPSM0004Z	Midget	4

Multi Pole Assembly Kit Ordering No. CYHP0001Z-KIT
(Kit contains 20 connector pincers & 10 handle pins)

Web Resources

Download CAD drawings and other technical information:

littelfuse.com/lpsc

littelfuse.com/lpsm

Recommended Fuses

Class CC
Midget-style (10 x 38 mm)

Solar Products

KLKD SERIES 10 X 38 FUSES

600 V ac/V dc • 1/10–30 A • Fast Acting



3

Description

The KLKD fuse series is fast-acting with a high dc voltage rating. This family of midget-style fuses (10 x 38 mm) is used in solar combiner boxes and in circuits with dc fault currents up to 50,000 amperes. KLKD fuses are available in standard and board-mount configurations.

In addition, the KLKD series has been designed to meet both the UL and IEC photovoltaic (PV) fuse standards.

Littelfuse offers a wide range of ampere ratings to match specific requirements in a variety of applications.

Features/Benefits

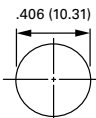
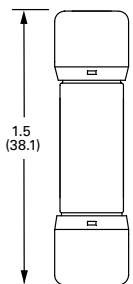
- Designed to UL and IEC photovoltaic specifications
- 1/10 - 30 A ratings available
- 50,000 A Interrupting Rating
- Available in ferrule or PCB mount options
- 1-5 A meets UL 1741 GFDI requirements

Applications

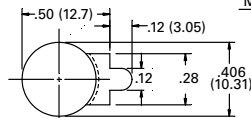
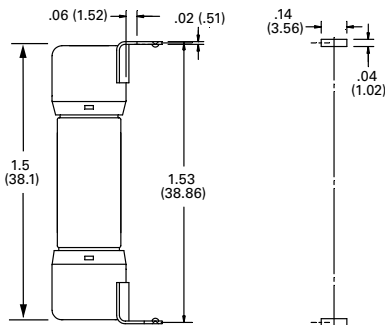
- Combiner boxes and inverters
- Power supplies
- Desktop meters

Dimensions Inches (mm)

Ferrule Version



PCB 1-Tab

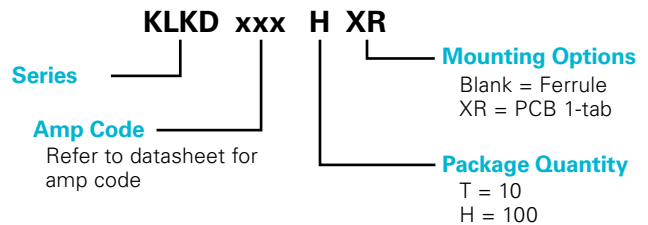


MOUNTING HOLE DETAIL

Specifications

Voltage Rating	600 V ac/V dc
Amperage Rating	1/10, 1/8, 2/10, 1/4, 3/10, 1/2, 3/4, 1, 1 1/2, 2, 2 1/2, 3, 3 1/2, 4, 5, 6, 7, 8, 9, 10, 12, 15, 20, 25, 30
Interrupting Ratings	AC: 100 kA 200 kA Littelfuse self-certified DC: 1/10-30: 10 kA (UL 2579) 1/10-30: 50 kA (UL 248-14)
Material	Body: Melamine / Caps: Copper Alloy
Operating Temperature	See rating curve
Approvals	UL 2579 Listed (File: E339112) IEC 60269-6 (2-25 A) VDE Certified (No. 40033094) UL 248-14 Listed (File: E10480) CSA Certified Ferrule only (File: LR29862)
Environmental	RoHS Compliant
Country of Origin	Mexico

Part Numbering System



SERIES	AMPERAGE	PACKAGE QUANTITY	MOUNTING METHOD	CATALOG NUMBER	ORDERING NUMBER
KLKD	1/8	10	FERRULE	KLKD.125	KLKD.125T
KLKD	5	100	FERRULE	KLKD005	KLKD005.H
KLKD	15	10	PCB 1-TAB	KLKD015R	KLKD015.TXR

Recommended Fuse Holders

Littelfuse LPSM and LFPSM dead-front series
Littelfuse L60030M open-face series

Web Resources

Download CAD drawings and other technical information:
littelfuse.com/klkd

Distribution Blocks • Splicer Blocks • Covers



Description

POWR-BLOKS power distribution blocks offer a safe, convenient way of splicing cables, providing a fixed junction tap-off point or splitting primary power into secondary circuits. Lx2xxx-DIN series offers integral DIN-rail mount and an optional hinged safety cover.

Optional power distribution block covers provide protection against accidental shorting between poles caused by loose wires, tools, or other conductive material. They also protect personnel from accidentally contacting energized connectors.

Applications

Typical applications include heating, air conditioning and refrigeration systems, elevator systems, material handling equipment, control panels, motor controls, switchgear, and anywhere power needs to be distributed to more than one load.

Hinged Plastic Covers



Connectors

Box lug connectors are designed for use with a single or multiple, solid or class B or C stranded conductor. For UL approved use of more than one conductor per connector opening, contact Littelfuse Technical Service. Manufacturers of cable terminations can furnish crimp-on sleeves for fine stranded conductors which permit these conductors to be used with box lugs.

Ampere Ratings

The ampere rating per pole for power distribution blocks is based on the line ampacity of 75 °C insulated conductors per NEC* Table 310.16. If 60 °C insulated conductors are used, load must not exceed the ampacity of 60 °C conductors. Use of conductors rated in excess of 75 °C is permitted (for example 90 °C), however, load must not exceed the ampacity of 75 °C conductors.

Specifications

Voltage Rating	600 V
Current Rating	Based on NEC Table 310.16, using 75 °C copper wire
SCCR	Consult factory
Material	Phenolic rated at 150 °C and Thermoplastic rated at 125 °C (LD1400 and LS1300 series only)
Connector	Aluminum: Highly conductive aluminum, tin plated Copper: Highly conductive copper, tin plated
Flammability Rating	UL 94 V-0
Approvals	UL Recognized - OLD/OLS Series (File: E171395) LFD/LFS Series (File: E309688) CSA Certified - OLD/OLS Series (File: LR700111) LFD/LFS Series (File: 007316_0_000) UL Listed - OLD57xxxx (File: E482231)
Environmental	RoHS compliant, Lead (Pb) free

Web Resources

For dimension, CAD and 3-D drawings, visit:
littelfuse.com/powrbloks

Clear Plastic Covers



*NEC is a trademark of its respective owner

Solar Products

TVS (TRANSIENT VOLTAGE SUPPRESSION) DIODES



RoHS HF

What Are Voltage Transients?

Voltage transients are unwanted short duration surges of electrical energy. They may result from the sudden release of previously stored energy, and can come from internal and external sources. If the voltage magnitude of the transient is large enough, circuit component damage or malfunction of the circuit may result.

Transients can occur either repeatedly or as random impulses. Repeatable transients are frequently caused by the operation of other system components, such as motors, generators or the switching of reactive circuit components. Random transients, are often caused by lightning, electrostatic discharge (ESD), and other outdoor environment events.

SOURCE	VOLTAGE	CURRENT	RISE-TIME	DURATION
Lightning	25 kV	20 kA	10 μ s	50 ms
Load Switching	600 V	500 A	50 μ s	500 ms
Electromagnetic Pulse (EMP)	1 kV	300 kV	20 ns	1 ms
Electrostatic Discharge (ESD)	15 kV	30 A	1–5 ns	100 ns

Transient Voltage Suppression Diodes

TVS Diodes are used to protect semiconductor components from high-voltage transients. Their p-n junctions have a larger cross-sectional area than those of a normal diode, allowing them to conduct large currents to ground without sustaining damage. Littelfuse supplies TVS Diodes with peak power ratings from 200 W to 30 kW, and reverse standoff voltages from 5 V to 512 V. For more information visit Littelfuse.com/tvsdiodes

TVS and Solar Inverter Protection

Integration of Transient Voltage Suppression (TVS) components within solar system designs help to prevent the damaging effects of transient events and assure compliance to safety and reliability standards. Solar power inverters are vulnerable to transient voltage effects and its direct connection to other system components allows transient voltage transfer. For example:

- Lightning-induced transient events may pass through the solar array and outdoor cabling to the inverter
- Transients originating from the outside utility power grid may pass through the main circuit panel and cabling to the inverter
- Startup of motorized equipment enables vulnerabilities produced by repeated load changes
- Electrostatic discharge events generated internally and externally to the system may pass between the inverter and sensitive electronic control equipment

It is important to build surge protection in the inverter and at other locations before damaging transients may reach sensitive equipment.

4

SERIES NAME	PHOTO	PACKAGE TYPE	REVERSE STANDOFF VOLTAGE (V _R)	PEAK PULSE POWER RANGE (P _{PP} 10/1000 μ s)	PEAK PULSE CURRENT (I _{PP} 8/20 μ s)	OPERATING TEMPERATURE	HF	ROHS
SURFACE MOUNT - STANDARD APPLICATION (200-5000 W)								
SMF		SOD-123	5.0-85	200 W	–	-67 °F to +302 °F (-55 °C to +150 °C)	•	•
SMAJ		DO-214AC	5.0-440	400 W	–		•	•
P4SMA		DO-214AC	5.8-468	400 W	–		•	•
SMA6J		DO-214AC	5.0-12	600 W	–		•	•
SMA6L		DO-221AC	5.0-85	600 W	–		•	•
SACB		DO-214AA	5.0-50	500 W	–		•	•
SMBJ		DO-214AA	5.0-440	600 W	–		•	•
P6SMB		DO-214AA	5.8-468	600 W	–		•	•
1KSMB		DO-214AA	5.8-153	1000 W	–		•	•
SMCJ		DO-214AB	5.0-440	1500 W	–		•	•
1.5SMC		DO-214AB	5.8-468	1500 W	–		•	•
4.0SDJ		DO-214AB	24.0	4000W	–		•	•
SMDJ		DO-214AB	5.0-220	3000 W	–		•	•
5.0SMDJ		DO-214AB	12-170	5000 W	–		•	•
AXIAL LEADED - STANDARD APPLICATION (400-5000 W)								
P4KE		DO-41	5.8-468	400 W	–	-67 °F to +347 °F (-55 °C to +175 °C)	•	•
SA		DO-15	5.0-180	500 W	–		•	•
SAC		DO-15	5.0-50	500 W	–		•	•
P6KE		DO-15	5.8-512	600 W	–		•	•
1.5KE		DO-201	5.8-512	1500 W	–		•	•
LCE		DO-201	6.5-90	1500 W	–		•	•
3KP		P600	5.0-220	3000 W	–		•	•
5KP		P600	5.0-250	5000 W	–		•	•
AXIAL LEADED - HIGH POWER (15000-30000 W; 1-15 kA)								
15KPA		P600	17-280	15000 W	–	-67 °F to +347 °F (-55 °C to +175 °C)	•	•
20KPA		P600	20-300	20000 W	–		•	•
30KPA		P600	28-288	30000 W	–		•	•
AK1		Radial Lead	76.0	–	1000 A	-67 °F to +302 °F (-55 °C to +150 °C)	•	•
AK3		Radial Lead	15-430	–	3000 A		•	•
AK6		Radial Lead	30-430	–	6000 A		•	•
AK10		Radial Lead	15-530	–	10000 A		•	•
AK15		Radial Lead	58-76	–	15000 A		•	•

Solar Products

OVERVOLTAGE SUPPRESSION VARISTORS



Protection Application and Needs

Description:

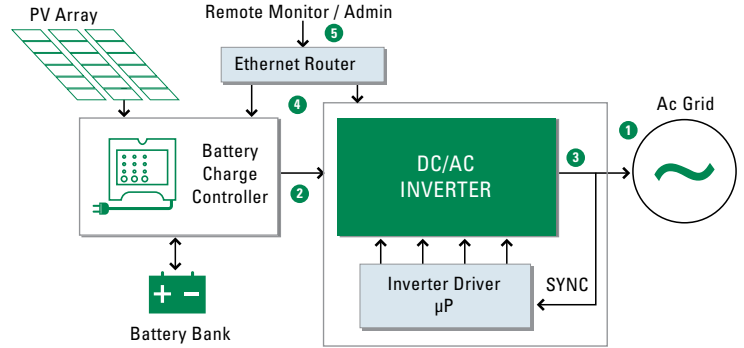
Microprocessor-controlled inverter with the ac output synchronized to the ac grid stores energy in utility company and maximizes photovoltaic (PV) array energy output.

Threats:

- Power surges on ac or dc input and ac output
- ESD threats through the communication network

Solutions:

1. **Ac Input:** Fuse / MOV / GDT
2. **Dc Input:** Dc-rated fuse / Unidirectional TVS / MOV
3. **Ac Output:** Fuse / TVS / MOV
4. **Local Ethernet:** MLV / SPA
5. **Outside Ethernet:** SEP series SIDACTor® device



Example: Hybrid Solar Inverter Configuration

4

Varistor Products

Varistors possess characteristics that divert transient currents away from sensitive components. Littelfuse offers two types: Miniature surface mount Multi-Layer Varistors (MLVs) for small electronics applications and Metal Oxide Varistors (MOVs) for higher energy applications. For more information visit Littelfuse.com/varistor

SERIES NAME	PHOTO	OPERATING V AC RANGE	OPERATING V DC RANGE	PEAK CURRENT RANGE ² (A)	PEAK ENERGY RANGE (J)	OPERATING TEMPERATURE	MOUNT/ FORM FACTOR	DISC SIZE	AGENCY APPROVALS							
									UR	CSA	VDE	CECC	ROHS	HF		
SURFACE MOUNT MLV / MOV																
ML		2.7-107	5.5-120	4-500	0.02-2.5	-55 to +125 °C	Surface Mount	Not Applicable								
CH		14-275	18-369	100-400	1.0-8.0	-55 to +125 °C	Surface Mount	Not Applicable	•							
SM7		115-510	369-675	1200	10-40	-55 to +85 °C	Surface Mount	Not Applicable	•							
SM20		20-320	26	2000-6500	20-150		Surface Mount	Not Applicable	•							
RADIAL LEADED MOV																
UltraMOV™		130-625	170-825	1750-10000	12.5-720			7, 10, 14, 20 mm	•	•	•	•	•	•	•	•
UltraMOV™ 25S		115-750	150-970	22000	230-890			25 mm	•	•	•	•	•	•	•	•
C-III		130-660	—	3500-9000	40-530	-55 to +85 °C	Radial Leaded	10, 14, 20 mm	•	•	•	•	•	•	•	•
LA		130-1000	175-1200	1200-6500	11-360			7, 10, 14, 20 mm	•	•	•	•	•	•	•	•
ZA		4-460	5.5-615	50-6500	0.1-52			5, 7, 10, 14, 20 mm	•		•	•	•	•	•	•
THERMALLY PROTECTED MOV																
SMOV™ 25S		115-750	150-970	20000	170-670	-45 to +75 °C	Industrial Packaged Radial Leads	25 mm	•							•
SMOV™ 34S		115-750	150-970	40000	280-1200	-45 to +75 °C	Industrial Packaged Radial Leads	34 mm	•							•
TMOV® 25S		115-750	150-970	20000	170-670			25 mm	•		•	•	•	•	•	•
TMOV® 34S		115-750	150-970	40000	235-1050	-55 to +85 °C	Radial Leaded	34 mm	•		•	•	•	•	•	•
TMOV®/iTMOV®		115-750	150-970	6000-10000	35-480			14, 20 mm	•		•	•	•	•	•	•

Solar Products

SE-601 SERIES (PGR-2601)

Dc Ground-Fault Monitor



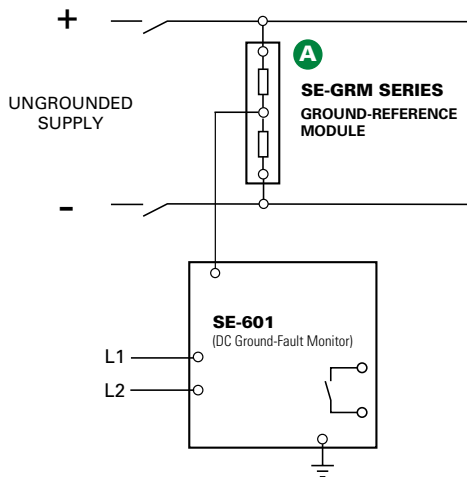
Description

The SE-601 is a microprocessor-based ground-fault relay for ungrounded dc systems. It provides sensitive ground-fault protection without the problems associated with nuisance tripping. Ground-fault current is sensed using an SE-GRM Series Ground-Reference Module—a resistor network that limits ground-fault current to 25 mA. The SE-601 is used on ungrounded dc systems ranging from industrial 24 V dc control circuits to 1000 V dc solar and transportation systems.

Features & Benefits

FEATURES	BENEFITS
Adjustable pickup (1-20 mA)	Ten settings provide a wide range of low-level protection
Adjustable time delay (50 ms-2.5 s)	Adjustable trip delay allows quick protection or delayed response
Output contacts	Form A and Form B output contacts for operation of separate annunciation and trip circuits
Analog output (0-5 V)	Provides means for connecting to a meter (PGA-0500) or a control system
Non-volatile trip memory	Retains trip state when de-energized to simplify troubleshooting
Selectable contact operating mode	Selectable fail-safe or non-fail-safe operating modes allow connection to shunt or undervoltage breaker coil
Microprocessor-based	No calibration required saves on maintenance cost

Simplified Circuit Diagram



Ordering Information

ORDERING NUMBER	CONTROL POWER
SE-601-OU	120/240 V ac/V dc
SE-601-OD	12/24 V dc
SE-601-OT	48 V dc

ACCESSORIES	REQUIREMENT
SE-GRM SERIES	Required
PGA-0500	Optional
PMA-55	Optional
PMA-60	Optional

Note: For optional conformal coating please consult factory.

Accessories

A **SE-GRM Series Ground-Reference Module**
Required accessory, used to connect the SE-601 dc Ground-Fault Monitor to the dc bus.

PGA-0500 Analog % Current Meter
Optional panel-mounted analog meter displays ground-fault current as a percentage of 22 mA.

Specifications

IEEE Device Numbers	Dc Overcurrent Relay (76G)
Input Voltage	See ordering information
Dimensions	H 75 mm (3.0"); W 55 mm (2.2"); D 115 mm (4.5")
Trip Level Settings	1-20 mA
Trip Time Settings	0.05-2.5 s
Output Contacts	Isolated Form A and Form B
Contact Operating Mode	Selectable fail-safe or non-fail-safe
Test Button	Local
Reset Button	Local and remote
Analog Output	0-5 V
Conformally Coated	Consult factory
Approvals	CSA certified, UL Listed (E340889), CE (European Union), C-Tick (Australian)
Warranty	5 years
Mounting	DIN, surface (standard) Panel (with PMA-55 or PMA-60 adapter)

Ac/Dc Sensitive Earth-Leakage Relay

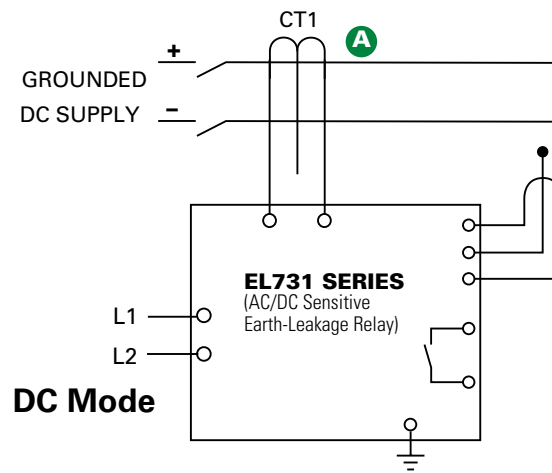
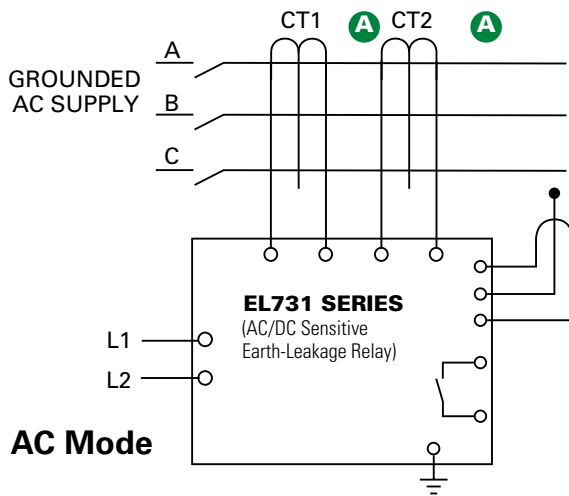


Description



The EL731 is a microprocessor-based ac/dc Sensitive Earth-Leakage Relay that offers complete coverage for all frequencies from 0 to 6,000 Hz. Two CTs are required for the entire frequency range, or one CT can be used for only low- or high-frequency detection. An RTD/PTC sensor input allows over-temperature protection for a motor or drive. The EL731 offers metering, password-protected alarm and trip settings and optional network communications. It is primarily used to add low-level ground-fault protection to variable-speed drives, and to dc circuits.

Simplified Circuit Diagram



Ordering Information

ORDERING NUMBER	CONTROL POWER	COMMUNICATIONS
EL731-00-X0	120/240 V ac/V dc	None
EL731-01-X0	120/240 V ac/V dc	DeviceNet*
EL731-02-X0	120/240 V ac/V dc	Profibus*
EL731-03-X0	120/240 V ac/V dc	EtherNet/IP*
EL731-04-X0	120/240 V ac/V dc	Modbus* TCP
EL731-10-X0	48 V dc & 24 V ac	None
EL731-11-X0	48 V dc & 24 V ac	DeviceNet
EL731-12-X0	48 V dc & 24 V ac	Profibus
EL731-13-X0	48 V dc & 24 V ac	EtherNet/IP
EL731-14-X0	48 V dc & 24 V ac	Modbus TCP
EL731-20-X0	24 V dc	None
EL731-21-X0	24 V dc	DeviceNet
EL731-22-X0	24 V dc	Profibus
EL731-23-X0	24 V dc	EtherNet/IP
EL731-24-X0	24 V dc	Modbus TCP

Note: When building a part number, replace the "X" with "1" for AS/NZS 2081:2011 Compliant product, "0" otherwise.
 *DeviceNet, Profibus, EtherNet/IP and Modbus TCP are trademarks of their respective owners.

Accessories

EFCT Series Earth-Fault Current Transformer
 Required zero-sequence current transformer specifically designed for low-level detection.

AC700-CUA Series Communication Adapter
 Optional network-interface and firmware-upgrade communications adapters field-install in EL731.

AC700-SMK DIN-rail & Surface-mount Adapter
 EL731 plugs into adapter for back-plane mounting.

ACCESSORIES	REQUIREMENT
EFCT Series CT	One Required
AC700-CUA Series Com. Unit	Optional
AC700-SMK Surface-Mount Kit	Optional
AC700-CVR-00 Watertight Cover (IP66) for Panel-Mount Applications	Optional
PGA-0520 Analog Meter	Optional

Solar Products

SPD2 PV SERIES

Class 2 (IEC)/Type 2 (EN)/Type 1CA (UL)
Pluggable Multi-Pole Surge Protective Device
for PV Systems

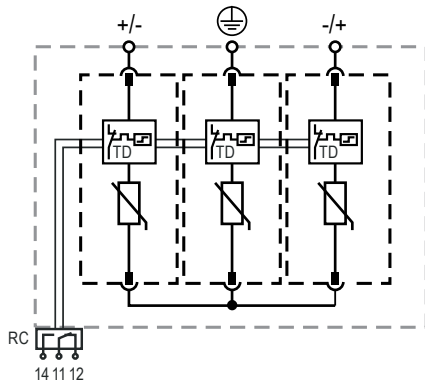


Description

Surge protective devices (SPDs) provide equipment protection from transient overvoltage events lasting micro-seconds. By limiting the overvoltage to the equipment during these events, costly damage and downtime can be mitigated.

The surge protective devices for solar string box and inverter applications are available in 1100 and 1500 V dc in the 3+0 configuration.

Internal Configuration



Legend

- Protective Earth
- RC Optional Remote Contact
- TD Thermal Disconnection

Features & Benefits

FEATURES	BENEFITS
Capability to clamp and withstand high-energy transients	Ensures low-residual voltage during high-energy surge events and higher nominal discharge current to prevent disruption, downtime, and degradation or damage to equipment
No additional overcurrent protection devices required in UL applications	Reduces the number of components and costs required for protection
Compact footprint	Increases panel design flexibility
Visual life indicator	Quick visual determines module replacement status to avoid loss of protection
Pluggable modules	Fast and simple to replace, minimizing maintenance and downtime. No tools required
Thermal protection	Eliminates catastrophic failure
IP20 protection rating	Finger-safe design increases worker protection

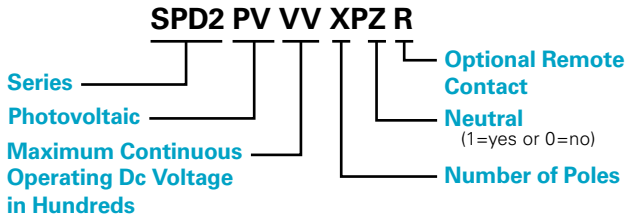
Module & Base Ordering Information

Ordering Number	IEC Electrical						UL Electrical				Single Unit Weight
	Maximum Continuous Operating Dc Voltage (U_{CPV})	Nominal Discharge Current (8/20 μ s) (I_n)	Maximum Discharge Current (8/20 μ s) (I_{max})	Total Discharge Current (I_{Total})	Voltage Protection Level (U_p)	Short-Circuit Current Rating (I_{SCPV})	Maximum Permitted Dc Voltage (U_{pVdc})	Voltage Protection Rating (VPR)	Nominal Discharge Current (8/20 μ s) (I_n)	Short-Circuit Current Rating (SCCR)	
SPD2-PV11-3PO SPD2-PV11-3PO-R	1100 V	20 kA	40 kA	50 kA	4200 V	9 kA	1100 V	3000 V	20 kA	50 kA	333 g (0.734 lb)
SPD2-PV15-3PO SPD2-PV15-3PO-R	1500 V	15 kA	40 kA	40 kA	4800 V	9 kA	1500 V	4000 V	20 kA	65 kA	363 g (0.800 lb)

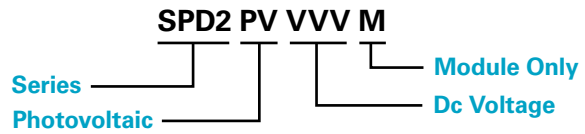
Solar Products

SPD2 PV SERIES

Module & Base Part Numbering System



Module Only Part Numbering System



Replacement Module Ordering Information

Ordering Number	IEC Electrical						UL Electrical				Single Unit Weight
	Maximum Continuous Operating Dc Voltage (U_{CPV})	Nominal Discharge Current (8/20 μ s) (I_n)	Maximum Discharge Current (8/20 μ s) (I_{max})	Total Discharge Current (I_{Total})	Voltage Protection Level (U_p)	Short-Circuit Current Rating (I_{SCPV})	Maximum Permitted Dc Voltage (U_{pVdc})	Voltage Protection Rating (VPR)	Nominal Discharge Current (8/20 μ s) (I_n)	Short-Circuit Current Rating (SCCR)	
SPD2-PV550-M	1100 V	20 kA	40 kA	50 kA	4200 V	9 kA	1100 V	3000 V	20 kA	50 kA	61 g (0.134 lb)
SPD2-PV750-M	1500 V	15 kA	40 kA	40 kA	4800 V	9 kA	1500 V	4000 V	20 kA	65 kA	71 g (0.157 lb)

Specifications

Mode of Protection	(+) - PE, (-) - PE, (+) - (-)
Nominal Discharge Current (8/20 μs) (I_n)	20 kA
Maximum Discharge Current (8/20 μs) (I_{max})	Up to 40 kA
Protective Elements	High Energy MOV
Response Time (t_A)	< 25 ns
Number of Ports	1
Mechanical & Environmental	
Operating Temperature Range (T_a)	-40 °C to +80 °C (-40 °F to +185 °F)
Permissible Operating Humidity (RH)	5% to 95%
Altitude (max)	4,000 m (13,123 ft)
Terminal Screw Torque (M_{max})	4.5 Nm (39.9 lbf-in)
Conductor Cross Section (max)	35 mm ² (2 AWG) (Solid, Stranded)/ 25 mm ² (4 AWG) (Flexible)
Mounting	35 mm DIN Rail, EN60715
Degree of Protection	IP20 (built-in)
Housing Material	Thermoplastic: Extinguishing Degree UL 94 V-0
Thermal Protection	Yes

Operating State/Fault Indication	Green Flag/No Green Flag
Remote Contact Switching Capacity	Ac: 250 V/1 A, 125 V/1 A; Dc: 48 V/0.5 A, 24 V/0.5 A, 12 V/0.5 A
Remote Contact Conductor Cross Section (max)	1.5 mm ² (16 AWG) (Solid)
Standards Passed	EN 50539-11:2013+A1:2014 UL 1449 4th Edition; E320116

Product Dimensions	
3TE Module and Base	H 90.7 mm (3.57"); W 53.8 mm (2.11"); D 66.1 mm (2.60")
1TE Replacement Module	H 45.0 mm (1.77"); W 18.0 mm (0.71"); D 57.2 mm (2.25")
Package Dimensions	
3TE Module and Base	H 102.0 mm (4.01"); W 64.0 mm (2.52"); D 110.0 mm (4.33")
1TE Replacement Module	H 102.0 mm (4.01"); W 28.0 mm (1.10"); D 110.0 mm (4.33")

Warranty – Visit www.littelfuse.com/warranty for details.

Solar Products

LS6R0250 1500 V DC SERIES DISCONNECT SWITCH

1500 V dc • 250 A • 1 Pole
1500 V dc • 250 A • 2 Pole (750 V dc per pole)

REACH EAC CE IEC UL RoHS



2 Pole (Type CB)
Dc Ungrounded

1 Pole (Type 4D)
Dc Grounded with handle attached



Description

The Littelfuse LS6R dc series is an energy-efficient, compact disconnect switch that quickly breaks or resumes the flow of current safely to prevent shock hazards when trying to isolate circuits or repair systems.

Features/Benefits

- The patented operation system minimizes damage caused by arcs upon disconnection to increase product reliability and longevity
- Streamline design eliminates the need for external bridging links (jumpers) to lower heat dissipation for increased energy efficiency, decreased installation and maintenance time, and reduced footprint for added design flexibility
- High-level disconnection insulation provides a barrier to stop conduction when switch is in off position for added safety
- The self-cleaning blade contacts eliminate performance degradation (from increased electrical resistance over time) to ensure consistent behavior across the product's lifespan
- The internally-located "sandwich-type" 2-contact symmetrical design mitigates the electromagnetic force of repulsion to offer enhanced functionality in short-circuit conditions
- Meets UL 94 flammability requirements with self-extinguishing/non-flammable materials to prevent fires

Applications

- Solar/PV systems: combiner boxes, recombiner boxes and inverters
- Energy storage systems: disconnection of batteries, containerized batteries
- Oil & gas: dc drives
- Railway: earthing switches and battery disconnection
- UPS: switching and isolation of batteries

Specifications

UL 98B Standards

Total Voltage Rating	1500 V dc
Amperage Rating	250 A
SCCR Rating	10 kA
Ambient Temperature	-20 to 50 °C (-4 to 122 °F)

IEC 60947-3 Standards

Insulation Voltage Rating Ui	1500 V dc
Impulse Withstand Voltage	

Rating Uimp	12 kV
Operational Current DC21B Rating	250 A / 1500 V dc

Other Characteristics

Power Losses at 250 A	2 Pole (CB): 4.13 watts/pole 1 Pole (4D): 4.13 watts total
------------------------------	---

Maximum Busbar

Connection Range	2 bars x 4 mm (.16") H x 30 mm (1.18") L
-------------------------	--

Number of Circuits/Switches

1

Mechanical Operations

8,000

Tightening Torque

212 lbf-in (24 N·m)

Material

Plastic housing

Silver-plated copper terminals

Screws

UL 94 V-0

UL 98B & UL 94

UL Guide WHVA

UL Listed E511898

NEC Article 690 for PV systems

IEC-60947-3

CE

EAC

RoHS compliant

REACH

Spain

Country of Origin

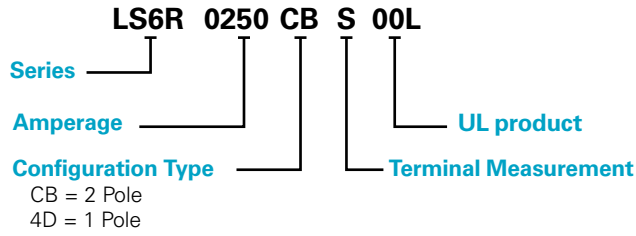
Recommended Accessories

- **Panel Handle with Shaft LDSSA11**
For closed panel door access
- **Direct Handle LDSI11**
For open panel door access
- **Auxiliary Contact LD5LAU01**
Remotely indicates switch position

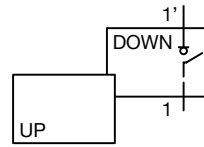
Solar Products

LS6R0250 1500 V DC SERIES DISCONNECT SWITCH

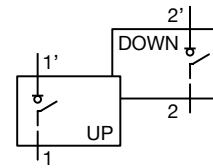
Part Numbering System



Configuration



Type 4D (1 Pole)



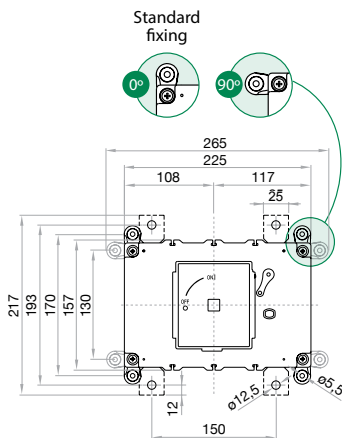
Type CB (2 Pole)

Ordering Information

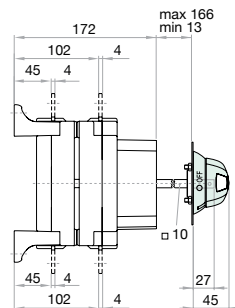
DC DISCONNECT SWITCH						
SERIES	TOTAL VOLTAGE	AMPERAGE	INSTALLATION	CONFIGURATION	POLES	SINGLE UNIT WEIGHT
LS6R02504DS00L	1500 V dc	250 A	Grounded	Type 4D	1	4.5 kg
LS6R0250CBS00L	1500 V dc	250 A	Ungrounded	Type CB	2	4.5 kg

Dimensions Millimeters

Dc Disconnect Switch

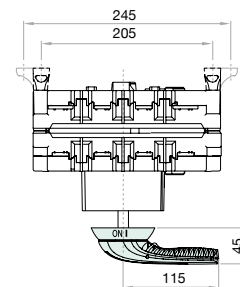


Switch - Side View



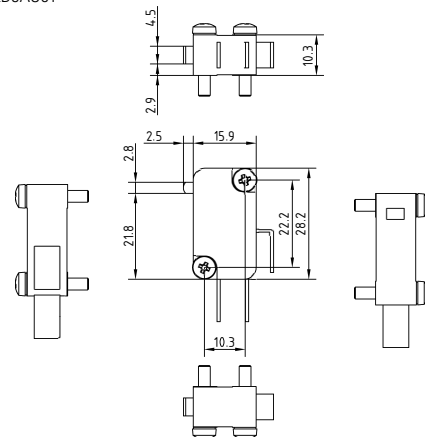
Panel Handle with Shaft

LDSSA11



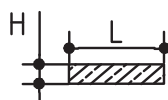
Auxiliary Contact

LD5AU01



Busbar

BUSBAR H MAX (CU)		BUSBAR L MAX (CU)		COPPER BAR M (TERMINAL TORQUE) (+5 % -10 %)	
MM	INCH	MM	INCH		
4	5/32	36	1 3/16	M12	
				N•M	LB. INCH
				24	212



Solar Products

LS6R0400 1500 V DC SERIES DISCONNECT SWITCH

1500 V Dc • 400 A • 1 Pole
1500 V Dc • 400 A • 2 Pole (750 V dc per pole)

REACH EAC CE IEC UL RoHS



2 Pole (Type CB)
Dc Ungrounded



1 Pole (Type 4D)
Dc Grounded with handle attached



Description

The Littelfuse LS6R dc series is an energy-efficient, compact disconnect switch that quickly breaks or resumes the flow of current safely to prevent shock hazards when trying to isolate circuits or repair systems.

Features/Benefits

- The patented operation system minimizes damage caused by arcs upon disconnection to increase product reliability and longevity
- Streamline design eliminates the need for external bridging links (jumpers) to lower heat dissipation for increased energy efficiency, decreased installation and maintenance time, and reduced footprint for added design flexibility
- High-level disconnection insulation provides a barrier to stop conduction when switch is in off position for added safety
- The self-cleaning blade contacts eliminate performance degradation (from increased electrical resistance over time) to ensure consistent behavior across the product's lifespan
- The internally-located "sandwich-type" 2-contact symmetrical design mitigates the electromagnetic force of repulsion to offer enhanced functionality in short-circuit conditions
- Meets UL 94 flammability requirements with self-extinguishing/non-flammable materials to prevent fires

Applications

- Solar/PV systems: combiner boxes, recombiner boxes and inverters
- Energy storage systems: disconnection of batteries, containerized batteries
- Oil & gas: dc drives
- Railway: earthing switches and battery disconnection
- UPS: switching and isolation of batteries

Specifications

UL 98B Standards

Total Voltage Rating	1500 V dc
Amperage Rating	400 A
SCCR Rating	10 kA
Ambient Temperature	-20 to 50 °C (-4 to 122 °F)

IEC 60947-3 Standards

Insulation Voltage Rating Ui	1500 V dc
Impulse Withstand Voltage	

Rating Uimp	12 kV
Operational Current DC21B Rating	400 A / 1500 V dc

Other Characteristics

Power Losses at 400 A	2 Pole (CB): 10.58 watts/pole 1 Pole (4D): 10.58 watts total
------------------------------	---

Maximum Busbar

Connection Range	2 bars x 4 mm (.16") H x 32 mm (1.26") L
-------------------------	--

Number of Circuits/Switches

1

Mechanical Operations

8,000

Tightening Torque

212 lbf-in (24 N·m)

Material

Plastic housing

Silver-plated copper terminals

Screws

UL 94 V-0

UL 98B & UL 94

UL Guide WHVA

UL Listed E511898

NEC Article 690 for PV systems

IEC-60947-3

CE

EAC

RoHS compliant

REACH

Spain

Country of Origin

--

--

--

--

--

--

--

--

--

--

--

--

--

--

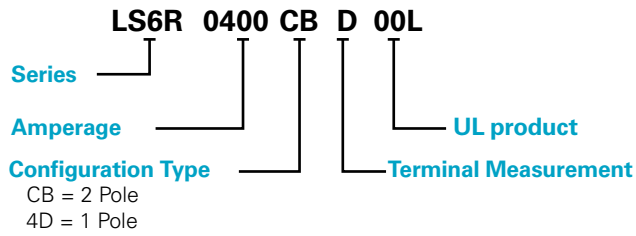
--

--

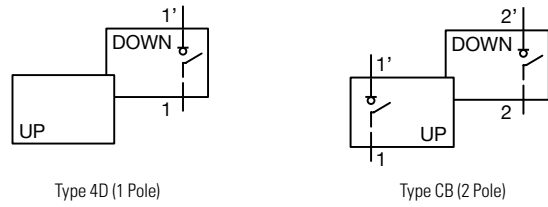
Solar Products

LS6R0400 1500 V DC SERIES DISCONNECT SWITCH

Part Numbering System



Configuration

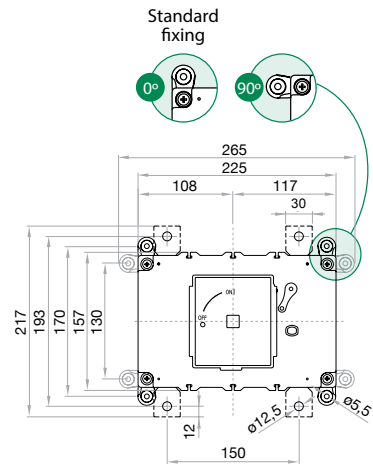


Ordering Information

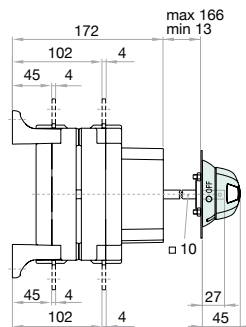
DC DISCONNECT SWITCH						
SERIES	TOTAL VOLTAGE	AMPERAGE	INSTALLATION	CONFIGURATION	POLES	SINGLE UNIT WEIGHT
LS6R04004DD00L	1500 V dc	400 A	Grounded	Type 4D	1	4.5 kg
LS6R0400CBD00L	1500 V dc	400 A	Ungrounded	Type CB	2	4.5 kg

Dimensions Millimeters

Dc Disconnect Switch

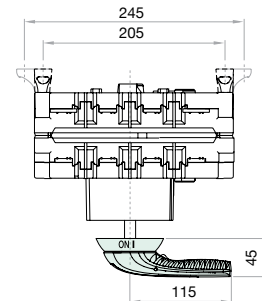


Switch - Side View



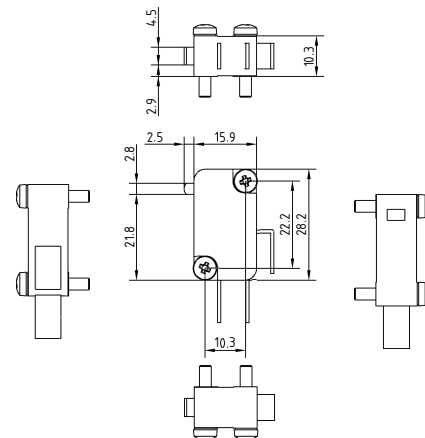
Panel Handle with Shaft

LDSSA11



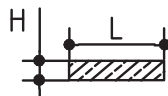
Auxiliary Contact

LD5AU01



Busbar

BUSBAR H MAX (CU)		BUSBAR L MAX (CU)		COPPERBAR M (TERMINAL TORQUE) (+5% -10%)	
MM	INCH	MM	INCH		
4	5/32	32	1¼	M12	
				N•M	24
				LB.INCH	212



Solar Products

LS60250 1000 V DC SERIES DISCONNECT SWITCH

1000 V dc • 250 A • 1 Pole
1000 V dc • 250 A • 2 Pole (500 V dc per pole)

REACH ENE CE IEC UL RoHS



2 Pole (Type 2E)
Dc Ungrounded



1 Pole (Type 1M)
Dc Grounded with Handle Attached



Description

The Littelfuse LS6 dc series is an energy-efficient, compact disconnect switch that quickly breaks or resumes the flow of current safely to prevent shock hazards when trying to isolate circuits or repair systems.

Features/Benefits

- Streamline design eliminates the need for external bridging links (jumpers) to lower heat dissipation for increased energy efficiency, decreased installation and maintenance time, and reduced footprint for added design flexibility
- High-level disconnection insulation provides a barrier to stop conduction when switch is in off position for added safety
- The self-cleaning blade contacts eliminate performance degradation (from increased electrical resistance over time) to ensure consistent behavior across the product's lifespan
- The internally-located "sandwich-type" 2-contact symmetrical design mitigates the electromagnetic force of repulsion to offer enhanced functionality in short-circuit conditions
- Meets UL 94 flammability requirements with self-extinguishing/non-flammable materials to prevent fires

Applications

- Solar/PV systems: combiner boxes, recombiner boxes and inverters
- Energy storage systems: disconnection of batteries, containerized batteries
- Oil & gas: dc drives
- Railway: earthing switches and battery disconnection
- UPS: switching and isolation of batteries

Specifications

UL 98B Standards

Total Voltage Rating	1000 V dc
Amperage Rating	250 A
SCCR Rating	10 kA
Ambient Temperature	-20 to 50 °C (-4 to 122 °F)

IEC 60947-3 Standards

Insulation Voltage Rating U_i	1500 V dc
Impulse Withstand Voltage Rating U_{imp}	12 kV
Operational Current DC21B Rating	250 A/1000 V dc

Other Characteristics

Power Losses at 250 A	2 Pole (2E): 10.08 watts/pole 1 Pole (1M): 19.59 watts total
-----------------------	---

Minimum Connection

Wire Range/AWG 400 kcmil/MCM (203 mm²)

Maximum Connection

Wire Range/AWG 500 kcmil/MCM (253 mm²)

Number of Circuits/Switches

1

Mechanical Operations

8,000

Tightening Torque

159 lbf-in (18 N·m)

Material

Plastic housing
Silver-plated copper terminals

Base Mounting

Screws

Flammability Rating

UL 94 V-0

Approvals

UL 98B & UL 94
UL Guide WHVA
UL Listed E511898
NEC Article 690 for PV systems
IEC-60947-3
CE
EAC

Environmental

RoHS compliant
REACH

Country of Origin

Spain

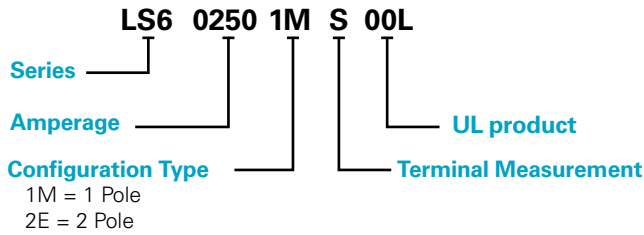
Recommended Accessories

- Panel handle with shaft LDSSA11 for closed panel door access
- Direct handle LDSI11 for open panel door access
- Auxiliary contacts LD5LAU01 remotely indicate switch position
- Phase barriers LDRSF11 (Type 1M) and LDRSF13 (Type 2E) isolate sections to eliminate arcing between the phases
- Terminal lug LDRTL11W safely connects electrical and mechanical devices (phase barriers must be used in order to maintain the required clearance)
- Terminal shrouds LDRCU13W offer protection against direct contact after wiring
- Spacers LDREL11W increase distance between switch and mounting plate

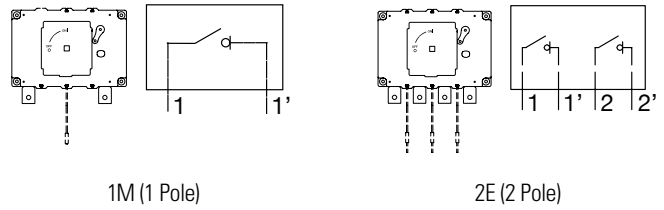
Solar Products

LS60250 1000 V DC SERIES DISCONNECT SWITCH

Part Numbering System



Configuration

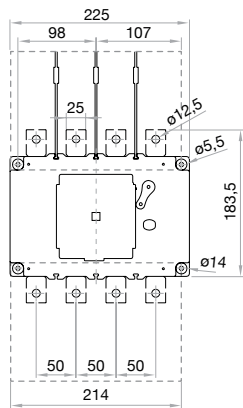


Ordering Information

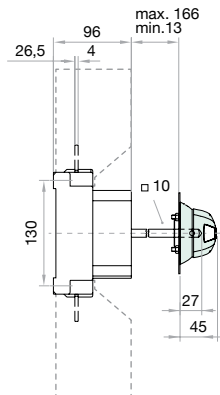
DC DISCONNECT SWITCH						
SERIES	TOTAL VOLTAGE	AMPERAGE	INSTALLATION	CONFIGURATION	POLES	SINGLE UNIT WEIGHT
LS602501MS00L	1000 V dc	250 A	Grounded	Type 1M	1	2 kg
LS602502ES00L	1000 V dc	250 A	Ungrounded	Type 2E	2	3 kg

Dimensions Millimeters

Dc Disconnect Switch

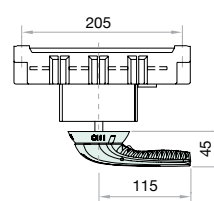


Switch + Direct Handle - Side View



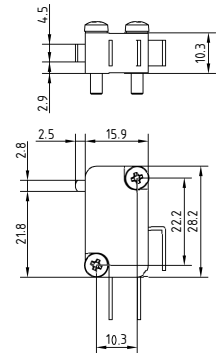
Panel Handle with Shaft

LDSSA11




Auxiliary Contact

LD5AU01

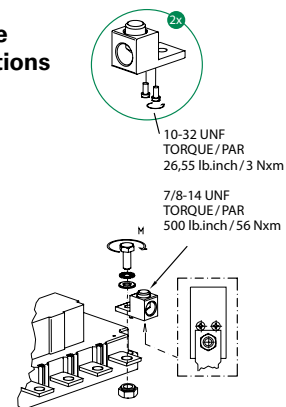


7

Terminal Lug Measurements

LDRTL11W				
3/0 85 MM ² MIN. --- 400 KCMIL 240 MM ² MAX.	CONDUCTOR TEMPERATURE RATING		COPPER WIRE ONLY M (TERMINAL TORQUE) (+5% -10%)	
			N•M	LB.INCH
	75 °C	M10	18	159

Torque and Cable Capacity Instructions



Solar Products

LS60400 1000 V DC SERIES DISCONNECT SWITCH

1000 V dc • 400 A • 1 Pole
1000 V dc • 400 A • 2 Pole (500 V dc per pole)

REACH ENE CE IEC UL RoHS



2 Pole (Type 2E)
Dc Ungrounded

1 Pole (Type 1M)
Dc Grounded with Handle Attached



Description

The Littelfuse LS6 dc series is an energy-efficient, compact disconnect switch that quickly breaks or resumes the flow of current safely to prevent shock hazards when trying to isolate circuits or repair systems.

Features/Benefits

- Streamline design eliminates the need for external bridging links (jumpers) to lower heat dissipation for increased energy efficiency, decreased installation and maintenance time, and reduced footprint for added design flexibility
- High-level disconnection insulation provides a barrier to stop conduction when switch is in off position for added safety
- The self-cleaning blade contacts eliminate performance degradation (from increased electrical resistance over time) to ensure consistent behavior across the product's lifespan
- The internally-located "sandwich-type" 2-contact symmetrical design mitigates the electromagnetic force of repulsion to offer enhanced functionality in short-circuit conditions
- Meets UL 94 flammability requirements with self-extinguishing/non-flammable materials to prevent fires

Applications

- Solar/PV systems: combiner boxes, recombiner boxes and inverters
- Energy storage systems: disconnection of batteries, containerized batteries
- Oil & gas: dc drives
- Railway: earthing switches and battery disconnection
- UPS: switching and isolation of batteries

Specifications

UL 98B Standards

Total Voltage Rating	1000 V dc
Amperage Rating	400 A
SCCR Rating	10 kA
Ambient Temperature	-20 to 50 °C (-4 to 122 °F)

IEC 60947-3 Standards

Insulation Voltage Rating Ui	1500 V dc
Impulse Withstand Voltage	

Rating Uimp 12 kV

Operational Current DC21B Rating 400 A/1000 V dc

Other Characteristics

Power Losses at 400 A	2 Pole (2E): 18.4 watts/pole 1 Pole (1M): 36.11 watts total
------------------------------	--

Minimum Connection

Wire Range / AWG 300 kcmil/MCM (152 mm²)

Maximum Connection

Wire Range / AWG 350 kcmil/MCM (177 mm²)

Number of Circuits/Switches 1

Mechanical Operations 8,000

Tightening Torque 212 lbf-in (24 N·m)

Material

Plastic housing
Silver-plated copper terminals
Screws

Base Mounting

Flammability Rating UL 94 V-0

Approvals

UL 98B & UL 94
UL Guide WHVA
UL Listed E511898
NEC Article 690 for PV systems
IEC-60947-3
CE
EAC

Environmental

RoHS compliant
REACH

Country of Origin

Spain

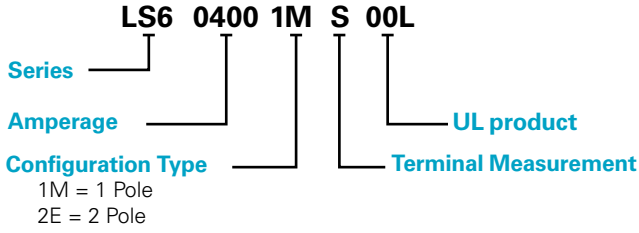
Recommended Accessories

- Panel handle with shaft LDSLA21** for closed panel door access
- Direct handle LDLSI21** for open panel door access
- Auxiliary contacts LD5LAU01** remotely indicate switch position
- Phase barriers LDRSF21 (Type 1M) and LDRSF23 (Type 2E)** isolate sections to eliminate arcing between the phases
- Terminal lug LDRTL22W** safely connects electrical and mechanical devices (phase barriers must be used in order to maintain the required clearance)
- Terminal shrouds LDRCU23W** offer protection against direct contact after wiring
- Spacers LDREL21W** increase distance between switch and mounting plate

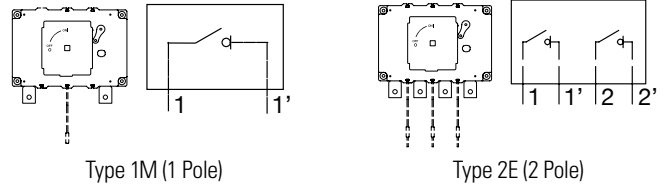
Solar Products

LS60400 1000 V DC SERIES DISCONNECT SWITCH

Part Numbering System



Configuration

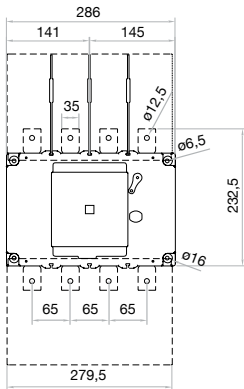


Ordering Information

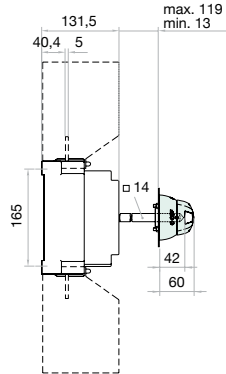
DC DISCONNECT SWITCH						
SERIES	TOTAL VOLTAGE	AMPERAGE	INSTALLATION	CONFIGURATION	POLES	SINGLE UNIT WEIGHT
LS604001MS00L	1000 V dc	400 A	Grounded	Type 1M	1	2 kg
LS604002ES00L	1000 V dc	400 A	Ungrounded	Type 2E	2	3 kg

Dimensions Millimeters

Dc Disconnect Switch

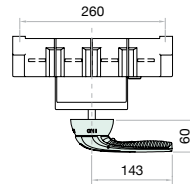


Switch + Direct Handle - Side View



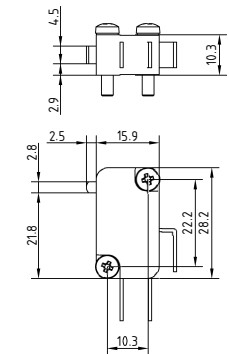
Panel Handle with Shaft

LDSL21



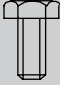
Auxiliary Contact

LD5AU01

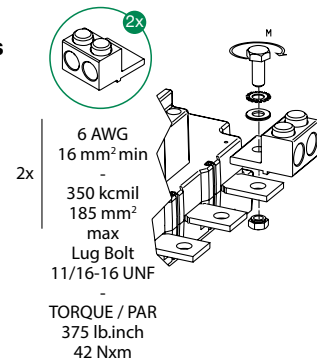


7

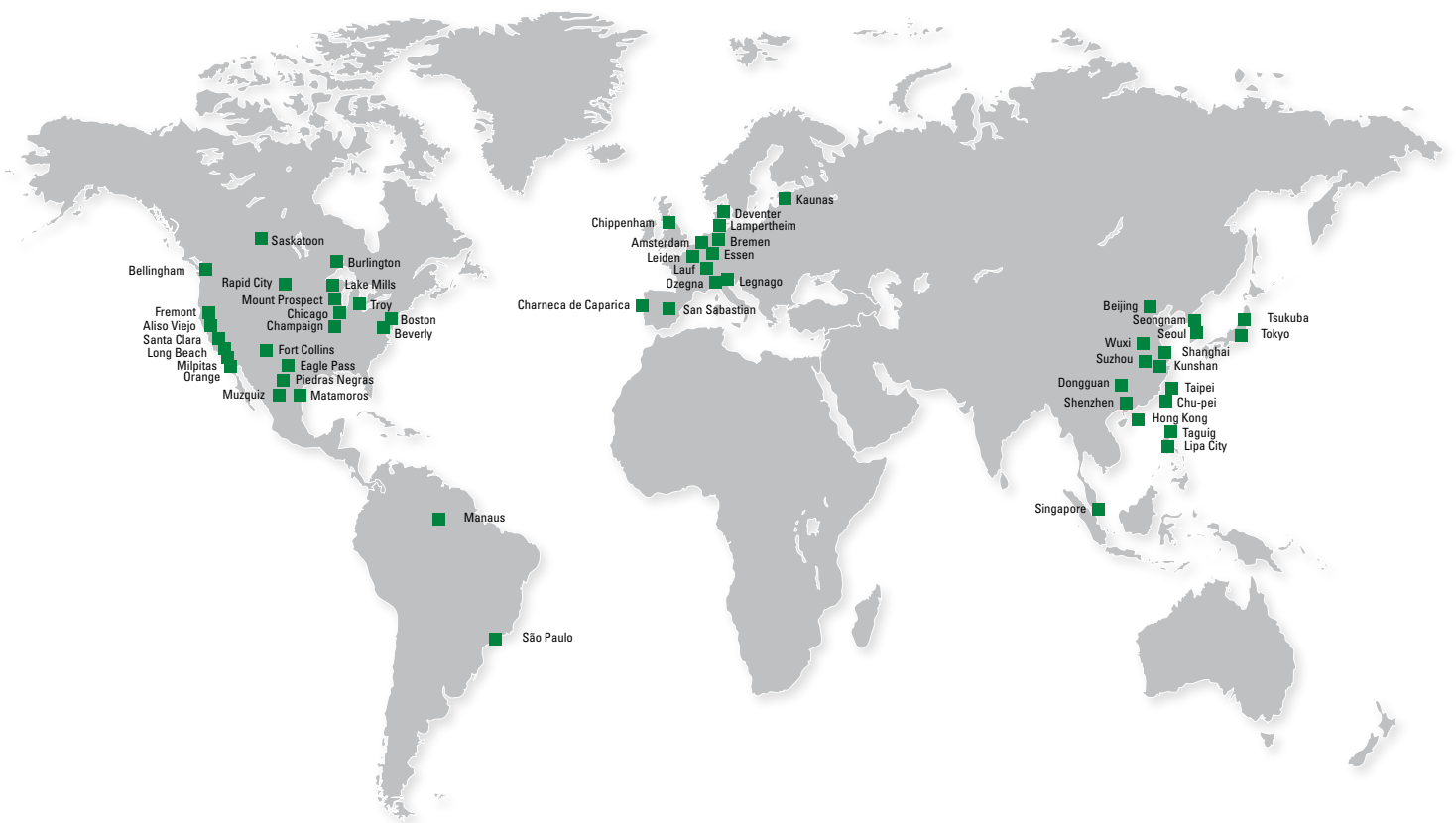
Terminal Lug Measurements

LDRTL22W				
3/0 85 MM ² MIN. --- 400 KCMIL 240 MM ² MAX.	CONDUCTOR TEMPERATURE RATING		COPPER WIRE ONLY M (TERMINAL TORQUE) (+5% -10%)	
			N•M	LB. INCH
	75 °C	M10	24	212

Torque and Cable Capacity Instructions



Local Resources for a **GLOBAL** Market



Sales and Technical Support



United States and Mexico

Phone +1 800 TEC FUSE
+1 800 832 3873
Fax +1 800 522 7697

Brazil

Phone +55 11 4427 6261

Canada

Phone +1 306 373 5505

China

Hong Kong

Phone +852 2810 5099

Shanghai

Phone +86 21 2327 6000

Shenzhen

Phone +86 755 8207 0760

Taiwan

Phone +886 2 8751 1234

Europe

Phone +49 4244 819149

India

Phone +65 6885 9185

Japan

Phone +81 45 478 1088

Singapore

Phone +65 6885 9188

South Korea

Phone +82 2 6000 8600

United Arab Emirates (UAE)

Phone +971 4341 3660

Protection Relays & Controls Catalog (PF130N)

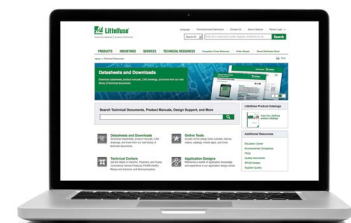
The comprehensive line of electronic and microprocessor-based protection relays, timers, and flashers safeguard equipment and personnel to prevent expensive damage, downtime or injury due to electrical faults.

Fuses & Fuse Holders Catalog (PF101N)

Littelfuse offers a complete circuit protection portfolio of industrial power fuses, including time-saving indication products for an instant visual blown-fuse identification.

Surge Protection Devices Catalog (PF612)

These surge protection devices safeguard components from transient overvoltage or surges.



Visit Technical Resources at Littelfuse.com

Technical information is only a click away. The Littelfuse Technical Resources section contains datasheets, product manuals, white papers, application guides, demos, on-line design tools, and more.





North America

Littelfuse World Headquarters
8755 West Higgins Road, Suite 500
Chicago, IL 60631, USA

Littelfuse SymCom
222 Disk Drive
Rapid City, SD 57701, USA

Littelfuse Startco
140 – 15 Innovation Boulevard
(The Galleria Building)
Saskatoon, SK S7N 2X8
Tel: +1-306-373-5505

Technical Support:
Tel: +1-800-TEC-FUSE
E-mail: techline@littelfuse.com

Customer Service:
Tel: +1-800-227-0029
E-mail: PG_CSG@littelfuse.com

Asia

Littelfuse
Unit 1604B Desay Building,
Gaoxin Nanyi Ave.
Hi-Tech Industrial Park
Nashan District
Shenzen, 518057, China
+86 755 8207 0760

Europe

Littelfuse
Julius-Bamberger-Str. 8a
Bremen, D-28279, Germany
+49 421 82 87 3 147



Littelfuse products are certified to many standards around the world. To check certifications on specific product please refer to the product datasheet on Littelfuse.com.

Disclaimer Notice – Information furnished is believed to be accurate and reliable. However, users should independently evaluate the suitability of and test each product selected for their own applications. Littelfuse products are not designed for, and may not be used in, all applications. Read complete Disclaimer Notice at www.littelfuse.com/product-disclaimer.