

- Style G
- USB
- Shielded

**AJS09G**



**AJS10G**



For electrical specifications see page 37

**Description AJS09G**

USB B receptacle  
SMT horizontal mount

**Description AJS10G**

USB B receptacle  
SMT vertical mount

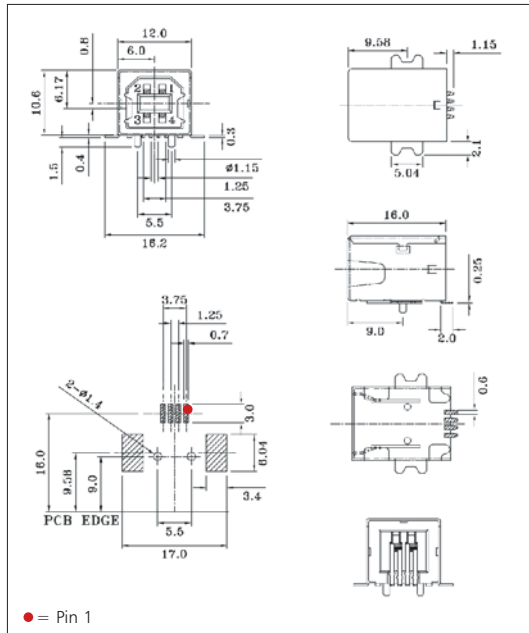
**Technical Data AJS09G**

Housing: Nylon PA9T G.F.  
Contact: Phosphor bronze (t=0.25mm)  
Gold/tin plated  
Ni:1~1.5u; Tin:3u, Gold:30u  
Metal Shell: Brass (t=0.3mm)  
Nickel plated  
Ni:2~3u  
Plating: 30u" gold

**Technical Data AJS10G**

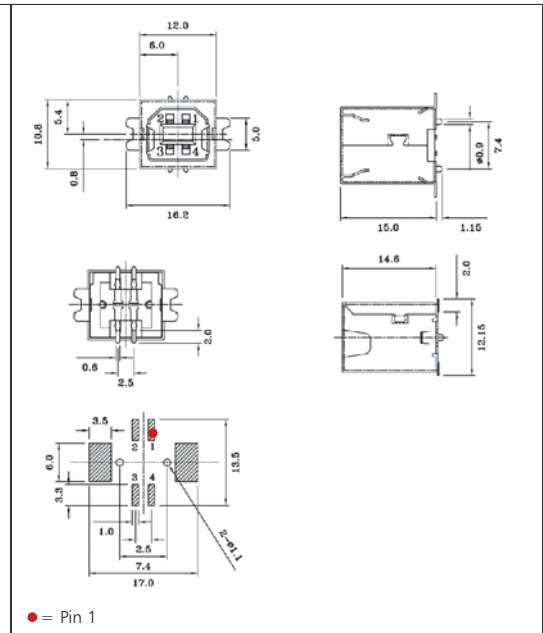
Housing: Nylon PA9T G.F.  
Contact: Phosphor bronze (t=0.25mm)  
Gold/tin plated  
Ni:1~1.5u; Tin:3u, Gold:30u  
Metal Shell: Brass (t=0.3mm)  
Nickel plated  
Ni:2~3u  
Plating: 30u" gold

Dimensions in mm



PC Board Layout - Component Side

Dimensions in mm



PC Board Layout - Component Side

**Ordering Information**

AJS09G	4	4	1	3 - 0 0 X
Type	Positions	Contacts	Ports	Plating 1 = 6u" 3 = 30u"
				Insert 1 = black 2 = white

**Ordering Information**

AJS10G	4	4	1	3 - 0 0 X
Type	Positions	Contacts	Ports	Plating 1 = 6u" 3 = 30u"
				Insert 1 = black 2 = white