

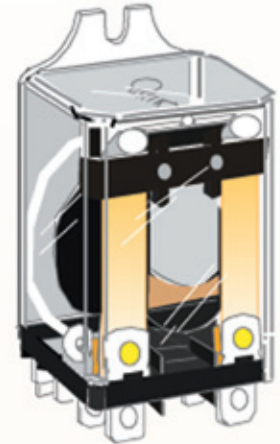


SERIES 300XBX

30 AMP 2 POLE RELAY

COIL SPECIFICATIONS @ 25°C

DC COILS (1.5 WATTS AT NOMINAL VOLTAGE)				AC COILS (3.0 VA @ NOMINAL VOLTAGE)	
Nominal Voltage	Resistance Ohms ± 10%	Pull-in V or Less	Dropout V or more.	Nominal Voltage	Pull-in or less
6	30	4.5	0.6	6	5.1
12	51	9.0	1.1	12	10.2
24	470	18.0	2.3	24	20.4
48	1800	36.0	4.5	120	102
110-125	10K	82.5	10.3	240	204
220-250	40K	165	25	—	—



2 MILLIMETER CONTACT GAPS



GENERAL SPECIFICATIONS

Available from Your Local Magnecraft & Struthers-Dunn Distributors.

ORDERING CODE 300 SERIES

300 **XBX C1** **LM -24D**

Series: _____
300 - 30 Amp Rating With 0.250" Q.C. Solder Plug-in Terminals

Contact Arrangement: _____
XBX - (DPDT)
XHX - (SPDT-DM-DB)

Construction Style: _____
 *Enclosed, Plain Cover - CODE **C**
 Enclosed, Flange Mount - CODE **C1**
 Enclosed, 6-32 Tapped Core & Antl-rotation Tab - CODE **C2**
 Enclosed, 6-32 Tapped Core & Antl-rotation Tab - CODE **CS2**
 Enclosed, Top Flange Mount - CODE **C3**

Terminals Style: _____
 Solder / Plug-in Terminals - NO CODE
 *Printed Circuit Terminals - CODE **T**

Options: _____
 L.E.D. Status Lamp - CODE **L**
 Push Button - CODE **M**
 155°C Coil - CODE **F**
 Magnetic Blowout - CODE **69**
 Rectified Coil - CODE **V2**

Coil Voltage: _____
 6, 12, 24, 120, 240 Add "**A**" for VAC Voltage
 6, 12, 24, 48, 110-125, 220-250 Add "**D**" for VDC Voltage

***NOTE: CODE "C" RECOMMENDED TO BE USED WITH P.C. TERMINALS.**

COIL

Max. Voltage: 110%
 Coil Insulation: Class "B" coil insulation system (130°C Per UL standard 1446), Class "F" coil insulation system available.
 Maximum Coil Dissipation Duty: 3.0 Watts DC, 3.4 VA (60Hz) AC. Continuous.

CONTACTS

Contact Material: Silver cadmium oxide, gold flashed.
 Contact Rating: 30 Amps @ 120, 240, 277 VAC
 15 Amps 600 VAC (resistive load).
 30 Amps @ 28 VDC (resistive load).
 1 Hp @ 120 VAC 50/60 Hz.
 2 Hp @ 208, 240, 480, 600 VAC 50/60 Hz (motor load).
 Feature 69 allows a 150 VDC, 5 Amp rating (DPDT), 10 Amp rating (SPDT-DM-DB).

TIMING

Operate Time: 20 mS Max. @ nominal voltage.
 Release Time: 15 mS Max. @ nominal voltage.

DIELECTRIC STRENGTH

Coil to Frame: 4000 V rms.
 Across Open Contacts: 1000 V rms
 Contact to Frame: 4000 V rms.
 Coil to Contacts: 4000 V rms; (8mm creepage)

TEMPERATURE

Ambient Temperature: AC: -30°C to +50°C @ rated operation
 DC: -30°C to +60°C @ rated operation

LIFE EXPECTANCY

Mechanical: 10 Million Operations no load.
 Electrical: 100,000 Operations Min. (at rated resistive load).

MISCELLANEOUS

Enclosure: Molded polycarbonate dust cover. (94V-0)
 Terminals: Q.C. Solder plug-in or P.C.



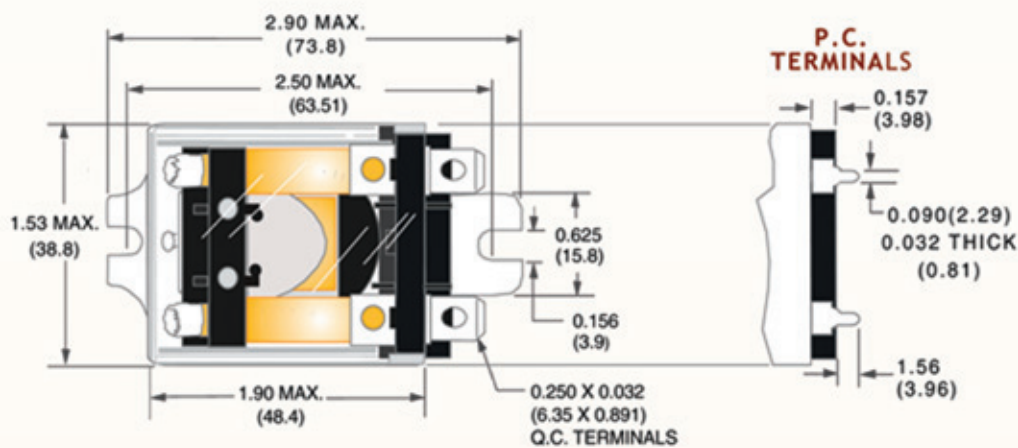
SERIES 300XBX

30 AMP 2 POLE RELAY

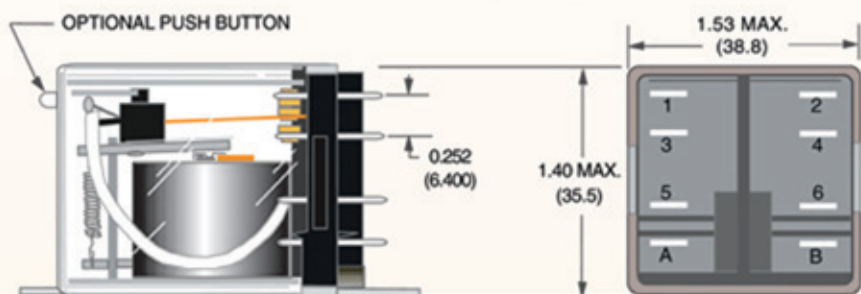
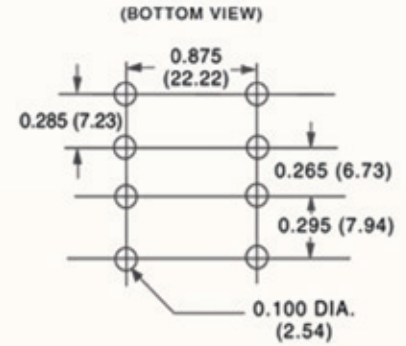
THE 300 SERIES RELAY HAS BEEN DESIGNED FOR INSTALLATION OF FULLY INSULATED 0.250" Q.C. TERMINALS. CONTACT GAPS ARE 2 MILLIMETERS WIDE TO MEET MOST STANDARDS FOR CREEPAGE AND CLEARANCE. THE OPTIONAL MAGNETIC BLOWOUT ALLOWS FOR HIGH VOLTAGE DC SWITCHING APPLICATIONS.

OUTLINE DIMENSIONS

Dimensions shown in Inches and (Millimeters).

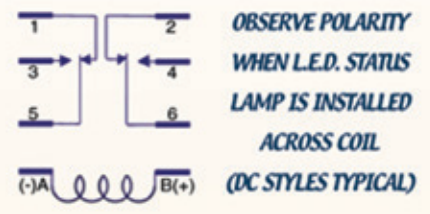


P.C. MOUNTING HOLE LAYOUT



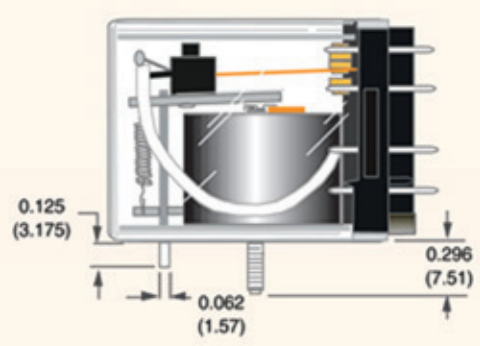
ENCLOSED FLANGE MOUNT

WIRING DIAGRAM



COMPARISON OF FEATURES

BENEFITS	COMPARISON OF FEATURES	
	MAGNECRAFT & STRUTHERS-DUNN SERIES 300	DELTROL SERIES 270 & 275
MAGNETIC BLOWOUT FOR HIGH VOLTAGE DC SWITCHING	5A @150 VDC SINGLE CONTACT 10A @ 150 VDC, DOUBLE MAKE, DOUBLE BREAK	5A @150 VDC
WIDE SPACING BETWEEN STATIONARY CONTACT TERMINALS	0.252	0.195
ARC BARRIERS BETWEEN CONTACTS	YES	NO
DC COIL VOLTAGE MAX.	250 VDC	110 VDC
GREATER DIELECTRIC STRENGTH	4000 V rms BETWEEN MUTUALLY INSULATED CONDUCTIVE ELEMENTS	2200 V rms BETWEEN MUTUALLY INSULATED CONDUCTIVE ELEMENTS



ENCLOSED STYLE CHOICE OF 6-32 STUD OR TAPPED CORE WITH ANTI ROTATION TAB