

Customer :
TYPE : MV002 Series Relay

Revised :
Issued : 08-18-2011



■ Type List

Terminal style	Contact form	Designation (provided with)		
		Dust cover	Flux tight	Flanged cover (Dust cover)
Plug-in terminal	1A (SPDM)	MV002-1AH-D-R1	-----	MV002-1AH-D1-R1
		MV002H-1AH-D-R1		MV002H-1AH-D1-R1
PCB terminal		-----	MV002P-1AH-C-R1	-----
			MV002HP-1AH-C-R1	

■ Ordering Information

MV002 H P - 1A H - C - R1 XXX
1 2 3 4 5 6 7 8

- | | |
|--|---|
| 1. MV002 -- Basic series designation | 6. D -- Dust cover |
| 2. Blank -- Standard | C -- Flux tight |
| H -- High power type | S -- Sealed type washable |
| 3. Blank -- Socket terminal | D1 -- Flanged cover (Dust cover) |
| P -- PCB terminal | C1 -- Flanged cover (Flux tight) |
| 4. 1A -- Single-pole, double-make (SPDM) | S1 -- Flanged cover (Sealed type washable) |
| 5. H -- Contact material Ag alloy | 7. Blank -- Standard type |
| | R1 -- Coil parallel with resistor 1/2W for 12V 680Ω |
| | 8. XXX -- Special feature code |

■ Contact Rating

	Standard	High power type
Rated load (Resistive)	30A 60VDC	40A 60VDC
Max. Switching Capacity	1800W	2400W

■ Coil Rating (DC)

Rated voltage (V)	Rated current ±10 % at 23°C (mA)	Coil resistance ±10 % at 23°C (Ω)	Pick up Voltage (Max) at 23°C	Drop out Voltage (Min) at 23°C	Max. continuous voltage at 23°C ⁽¹⁾	Power consumption at rated voltage
12	133	90	8.0 V	0.6 V	16 V	approx. 1.6W

Notes : (1) Without contact load.

Customer :
TYPE : MV002 Series Relay

Revised :
Issued : 08-18-2011

■ Specification

Contact material	Ag alloy	
Voltage drop ⁽¹⁾	Typ.40 mV at 10A	
Operate time ⁽¹⁾	20ms Max.	
Release time ⁽¹⁾	20ms Max.	
Insulation resistance ⁽¹⁾	20MΩ Min. (DC 500V)	
Dielectric strength ⁽¹⁾	Between open contact	: AC 500V, 50/60Hz 1 min.
	Between contact and coil	: AC 500V, 50/60Hz 1 min.
Vibration resistance	Operating extremes	10~500Hz, 5.0G
	Damage limits	10~500Hz, 5.0G
Shock resistance	Operating extremes	10G
	Damage limits	100G
Life expectancy	Mechanical	1000,000 operations (frequency 9,000 operations/hr)
	Electrical	10,000 operations (frequency 600 operations/hr)
Operating ambient temperature	-40~+75°C (no freezing)	
Weight	Approx. 40 g	

Note : (1) initial value

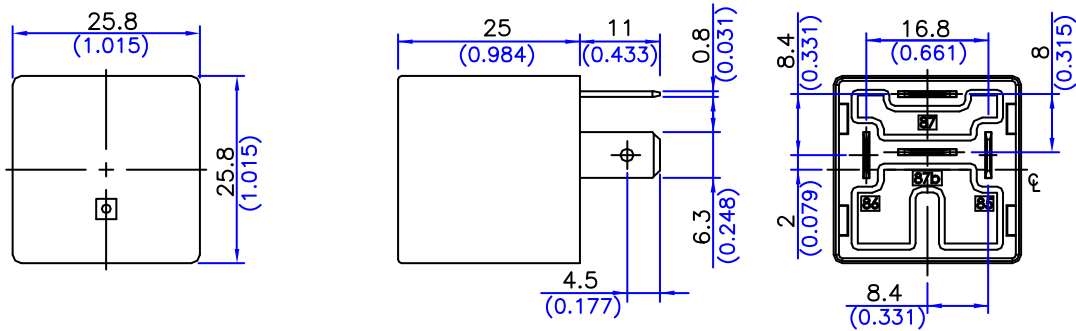
(2) Please contact Song Chuan for the detailed information.

Customer :
 TYPE : MV002 Series Relay

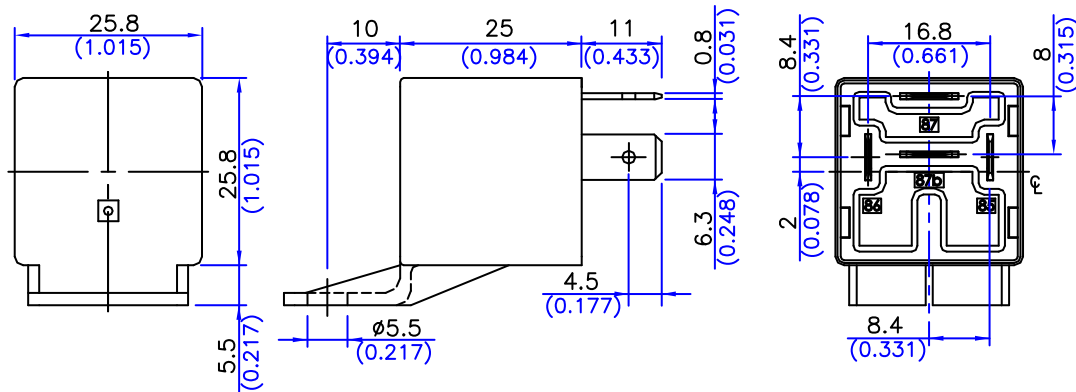
Revised :
 Issued : 08-18-2011

■ Outline Dimensions

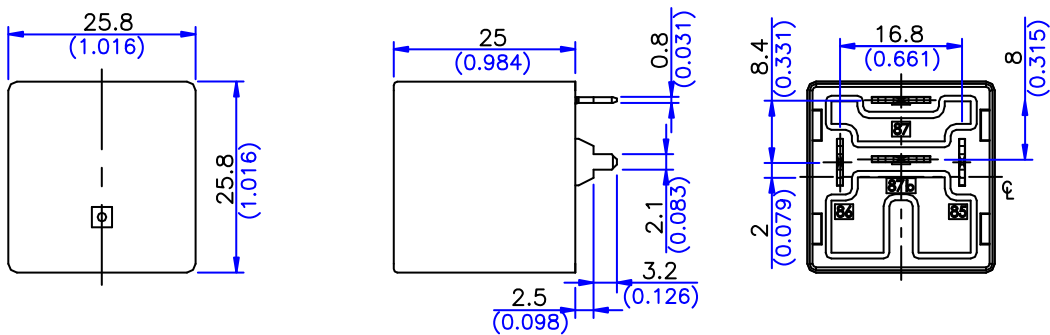
◆ MV002 , MV002H (-C,D,S cover)



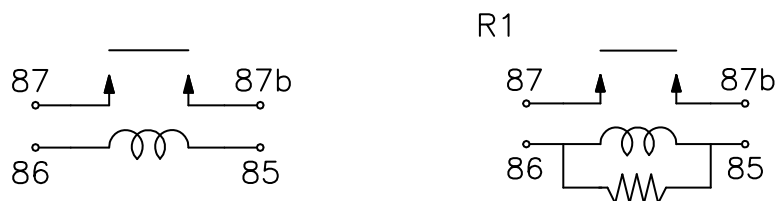
◆ MV002 , MV002H (-C1,D1,S1 cover)



◆ MV002P , MV002HP (-C,D,S cover)



■ Wiring Diagram
 (bottom view)



Customer :
TYPE : MV002 Series Relay

Revised :
Issued : 08-18-2011

■ PC Board Layout
(bottom view)

