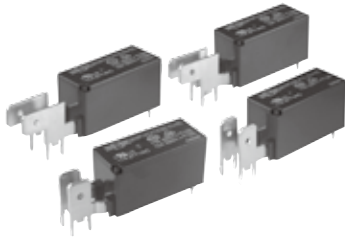


881WP



»» Features

- Low Profile 15.7mm w/ fasten terminals.
- High Rating 17A 277VAC.
- High temperature withstand up to 125°C .
- UL/CUL 、 VDE approvals.
- High CTI 250 material or product comply with IEC 60335-1 are available.
- Complies with RoHS-Directive 2011/65/EU.

»» Type List

Terminal style	Contact form	UL Insulation system approval	Designation (provided with)		
			Flux tight	Sealed type	Sealed type washable
WP1 (High power type, Quick terminal & PCB terminals)- 5.0mm pitch	1A (SPNO)	F	881WP1-1AC-F-C	881WP1-1AC-F-V	881WP1-1AC-F-S
WP2 (High power type, Quick terminal & PCB terminals)- 7.5mm pitch	1A (SPNO)	F	881WP2-1AC-F-C	881WP2-1AC-F-V	881WP2-1AC-F-S
WP3 (High power type, Quick terminal & PCB terminals)- 5.0mm pitch	1A (SPNO)	F	881WP3-1AC-F-C	881WP3-1AC-F-V	881WP3-1AC-F-S
WP4 (High power type, Quick terminal & PCB terminals)- 7.5mm pitch	1A (SPNO)	F	881WP4-1AC-F-C	881WP4-1AC-F-V	881WP4-1AC-F-S

»» Ordering Information

881 WP1 - 1A C - - C

1 2 3 4 5 6 7 8

- | | |
|---|---|
| <p>1. 881 -- Basic series designation</p> <p>2. WP1 -- High power type w/quick connect & PCB terminals - 5.0mm pitch</p> <p>WP2 -- High power type w/quick connect & PCB terminals - 7.5mm pitch</p> <p>WP3 -- High power type w/horizontal quick connect & PCB terminals - 5.0mm pitch</p> <p>WP4 -- High Power type w/horizontal quick connect & PCB terminals - 7.5mm pitch</p> <p>3. 1A -- Single pole normally open</p> <p>1B -- Single pole normally closed</p> | <p>4. C -- Contact material AgNi</p> <p>CA -- Contact material AgNi + Au</p> <p>5. Blank -- Standard type</p> <p>F -- Class F</p> <p>6. C -- Flux tight</p> <p>V -- Sealed type</p> <p>S -- Sealed type washable</p> <p>7. Blank -- Standard type</p> <p>E -- CTI 250V</p> <p>8. <input type="checkbox"/> -- Coil voltage (please refer to the coil rating data for the availability)</p> |
|---|---|

Note: Please contact Song Chuan for 1B type detailed specification.

»» Contact Rating

Rated load (resistive)	16A 240VAC, 105°C, 75K ops. ; 11A 240VAC, 105°C, typ. 300K ops.
Max. switching current	17A
Max. switching voltage	277VAC
Max. switching capacity	4080VA

»» Coil Rating (DC)

Rated voltage (V)	Rated current ±10 % at 23°C (mA)	Coil resistance at 23°C (Ω)	Max. continuous voltage at 105°C	Pick up voltage(Max.) at 23°C	Drop out voltage(Min.) at 23°C	Power consumption at rated voltage
5	80	62 ±10%	110 % of rated voltage	70 % of rated voltage	10 % of rated voltage	approx. 0.4W
6	67	90 ±10%				
9	44	203 ±10%				
12	33	360 ±10%				
18	23	771 ±10%				
24	17	1440 ±10%				
36	11.1	3240 ±10%				
48	8.7	5520 ±10%				
60	8	7340 ±15%				

»» Specification

Contact material	AgNi alloy	
Contact resistance ⁽¹⁾	100mΩ Max. (at 1A (100mA for Au-plating contact) / 6VDC by 4-wire resistance measurement)	
Operate time ⁽¹⁾	20ms Max.	
Release time ⁽¹⁾	10ms Max.	
Insulation resistance ⁽¹⁾	1000MΩ Min. (DC 500V)	
Surge voltage withstand ⁽¹⁾	Between contact and coil : 10KV (1.2X50) μS	
Dielectric strength ⁽¹⁾	Between open contact	: AC 1000V, 50/60Hz 1 min.
	Between contact and coil	: AC 5000V, 50/60Hz 1 min.
Vibration resistance	Operating extremes	10~55Hz , amplitude 1.5 mm
	Damage limits	10~55Hz , amplitude 1.5 mm
Shock resistance	Operating extremes	10G
	Damage limits	100G
Life expectancy	Mechanical	10,000,000 operations (frequency 72,000 operations /hr)
	Electrical	100,000 operations (frequency 360 operations /hr)
Operating ambient temperature	-40~+105°C (no freezing) ⁽²⁾	
Weight	Approx. 13 g	

Note : (1) Initial value. Operate and release time excluding contact bounce.

(2) Special version of high temperature 125°C can be selected.

881WP

»» Safety Approval

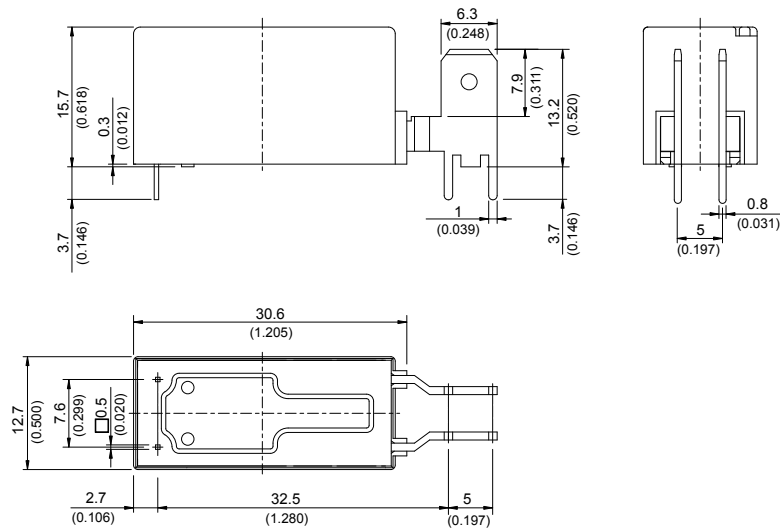
Certified	UL / CUL	VDE
File No.	E88991	132905

»» Safety Approval Rating

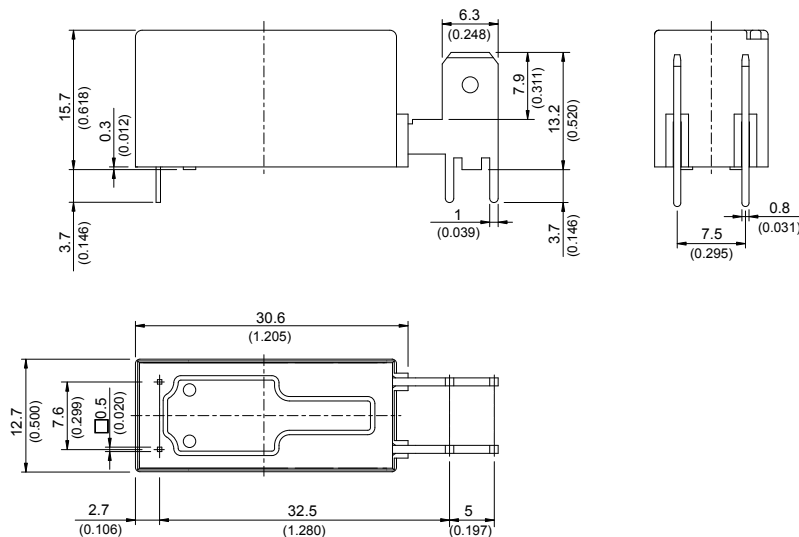
UL / CUL	VDE
17A 277VAC	12A 250VAC T125
10A 400VAC	10A 400VAC T125
	17A 250VAC T105

»» Outline Dimensions

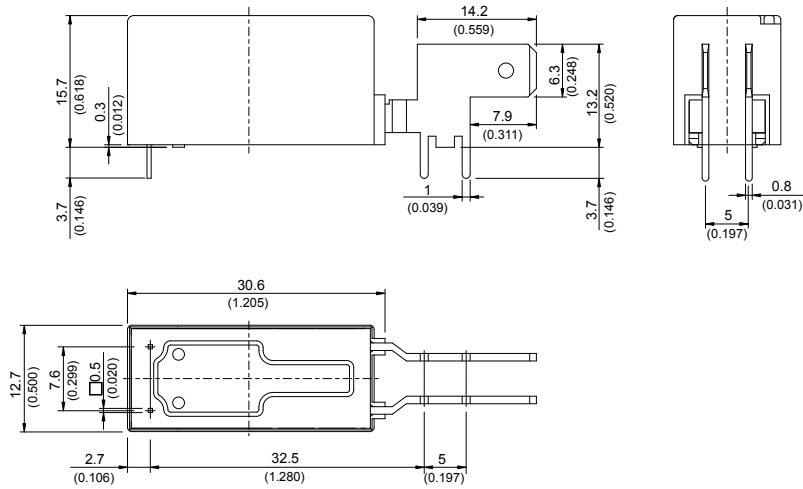
◆881WP1



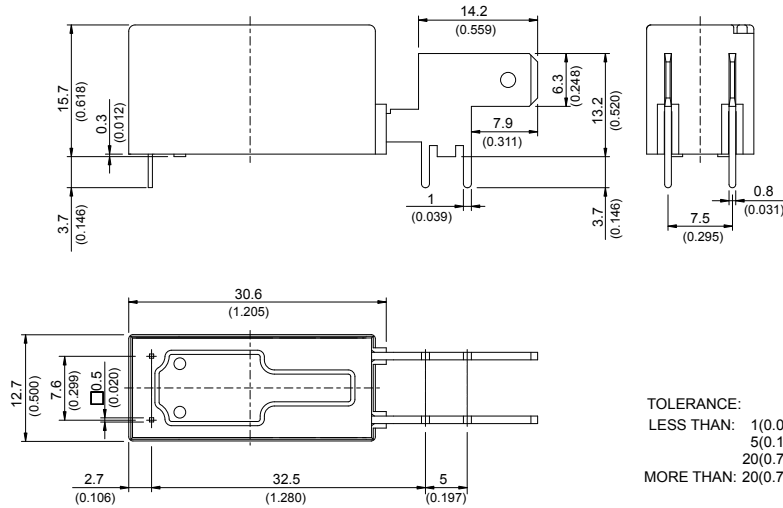
◆881WP2



◆881WP3



◆881WP4



TOLERANCE:
 LESS THAN: 1(0.039) ±0.1(0.004)
 5(0.197) ±0.3(0.012)
 20(0.787) ±0.5(0.020)
 MORE THAN: 20(0.787) ±1(0.039)

»» Wiring Diagram
 BOTTOM VIEW

1A

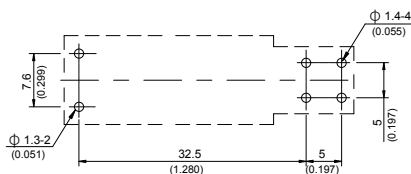


1B

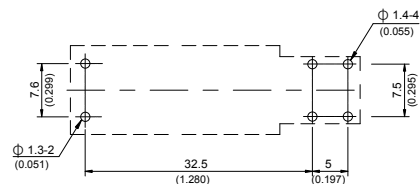


»» PC Board Layout
 BOTTOM VIEW

◆881WP1

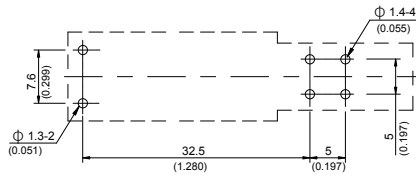


◆881WP2

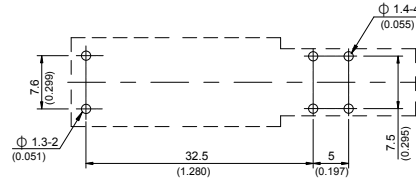


881WP

◆881WP3



◆881WP4



»» Engineering Data

