



Corporation of America

Model

CR400

Switch Mode Power Supply



Medical Grade
Certifications

H.A.L.T.
TESTED

Highly
Accelerated
Life
Testing

400 Watts_{max} output power

Power Factor Correction

Single Output

Electrical Specifications

Input Voltage:	85-264 VAC, 47-63 Hz
Input Current:	<4.5A RMS @ 115 VAC @ full load <2.2A RMS @ 230 VAC @ full load <6.2A RMS @ 85 VAC @ full load
Inrush Current:	<37A, pk @ 115 VAC, @ cold start <75A, pk @ 230 VAC, @ cold start
Power Factor:	>0.95 @ full load @ 230VAC input
Harmonic Distortion:	Meets IEC1000-3-2
EMI Filtering:	Meets CISPR 11 and 22 and FCC Part 15 Class B (conducted)
Input Protection:	Internal AC line fuse; 250 VAC, 8A
Surge Withstand:	Meets EN61000-4-4 Level 3 and EN61000-4-5 Level 3
Output Power:	Up to 400W continuous
Line Regulation:	± 0.1%
Load Regulation:	±0.5%
PARD:	<1% 20MHz bandwidth
Hold-up Time:	>16 ms @ full load
Output Polarity:	Output is floating
Minimum Load:	None
Transient Response:	2% for 25% load change @ 1A/μs
Output Rise Time:	<100 ms (10% to 90%)
Remote Sense:	Standard
Current Share:	Within 5%
Remote On/Off:	Ground or TTL _{LOW} = OFF Open or TTL _{HIGH} = ON



AC Power Fail:	TTL _{LOW} logic "0" at least 2 ms before DC output drops 5% (without signal jitter). Open collector.
DC OK:	Open collector when output voltage is above 97% of rated
Overcurrent/Short Circuit:	Square current limit; 108-125% of rated
Overvoltage Protection:	Factory set, 125% ±5% cycle AC to reset
Reverse Voltage:	Reverse current up to rated outputs
Thermal Protection:	Auto off; auto reset upon cool down
Efficiency:	Up to 92%
MTBF:	MIL-STD-HDBK 217E 200,000 hours @ 25°C, ground benign, Highly Accelerated Life Testing

Available Voltage Outputs*

Voltage Codes	Voltages (Volts)	Continuous Current (Amps)
-4	12	33
-5	15	27
-6	24	17
-7	28	14.6
-8	36	11.5
-9	48	8.7

* Consult factory for other voltages and OEM quantities.
Note: Standard models are shown **bold**

PART # STRUCTURE:

MODEL	-	VOLTAGE CODE	-	OPTION CODES (See sheet 2)
	-	V1	-	
CR400	-	X	-	ABC....

Example: Part Number **CR400-8-HU** = 400W Power Factor Corrected, 36V @ 11.5A with sealed pots and overcurrent foldback mode.

Model

CR400



Options (code)

- | | |
|-------------------------|-----------------------------------|
| DC OK Invert (E) | Power Fail Invert (F) |
| Metric Mounting (M) | Remote On/Off Invert (S) |
| Fan/Cover Assembly* (C) | Overcurrent Foldback Mode (U) |
| Sealed Adjust Pots (H) | Standby Power (5VDC @ 0.5A) (P)** |
| | Aux. Power (12V @ 0.5A) (A) |

*Options A and C are not available together.

**Voltage available as long as AC input is present

Certifications

- NRTL*** to UL60950-1, IEC 60601-1 3rd Edition
- BAUART Certification to EN60950-1
- CB Test Report in Accordance with EN 60601-1
- CE Declaration to Low Voltage Directive 72/73/EEC

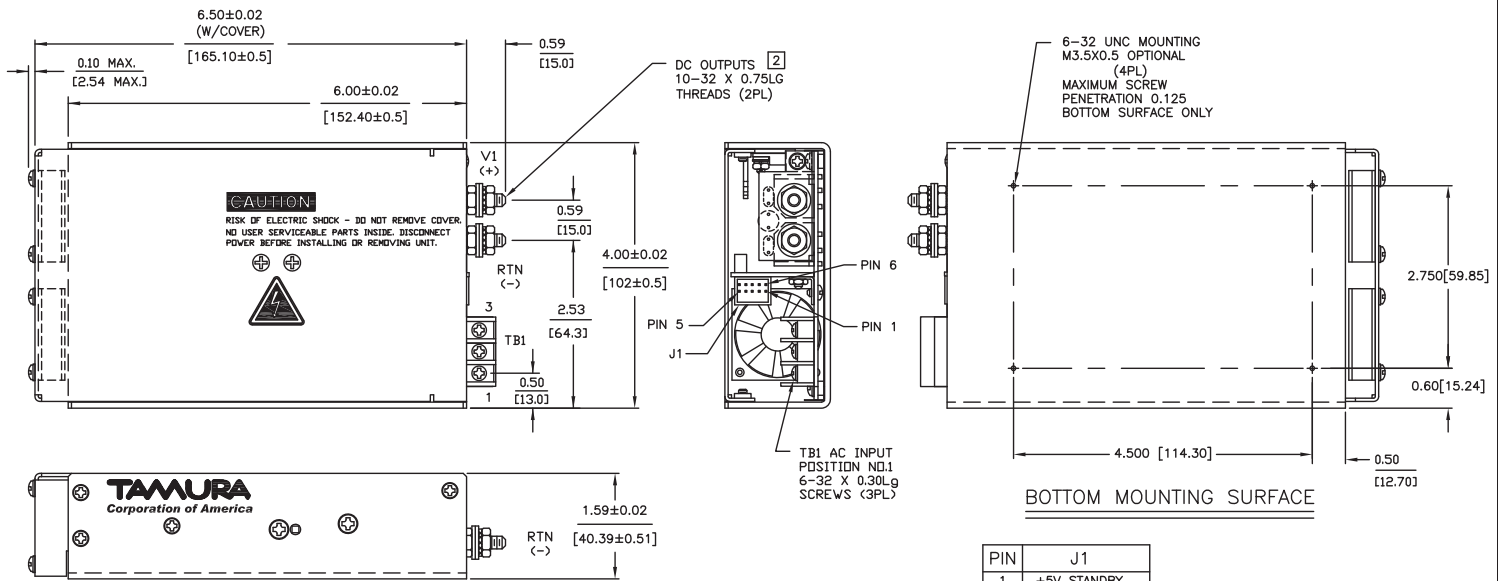
*** Nationally Recognized Test Laboratory

Compliance

- | | |
|---|--------------------------------|
| EN61000-4-5 Level 3 | EN61000-4-2 Level 2 |
| EN61000-3-2 | EN61000-4-2 Level 3 (Air Only) |
| EN61000-4-4 Level 3 | EN61000-4-11 |
| CISPR 11 and 22 FCC Part 15 Class B (conducted) | |

Physical Specifications

- | | |
|---------------------|---|
| Dimensions: (HxWxL) | 1.59" x 4" x 6" (STANDARD)
1.59" x 4" x 7" (WITH COVER) |
| Operating Temp: | 0 to 70°C; rated power to 50°C
derate linearly to 50% at 70°C. |
| Relative Humidity: | 5% to 90%, non-condensing |
| Storage: | -50 to 85°C/20-90% RH |
| Altitude: | 6,561' operating;
40,000' storage |



[2] DO NOT EXCEED 30 INCH-LBS (MAX TORQUE) WHEN TIGHTENING TOP NUTS ON OUTPUT STUDS.
1. FOR CLARITY NOT ALL ITEMS ARE SHOWN IN EACH VIEW.

PIN	J1
1	+5V STANDBY
2	REMOTE ON/OFF
3	POWER FAIL
4	CURRENT SHARE
5	+REMOTE SENSE
6	STANDBY RETURN
7	REMOTE ADJUST
8	DCOK
9	RETURN
10	-REMOTE SENSE

UNIT WEIGHT	
1.7 LBS	

PIN	TB1
1	G
2	N
3	L