

MODEL 4092

Dual Seal Failure Detector

- 120VAC and 240VAC versions
- Adjustable sensitivity
- Automatic reset
- Five year unconditional warranty

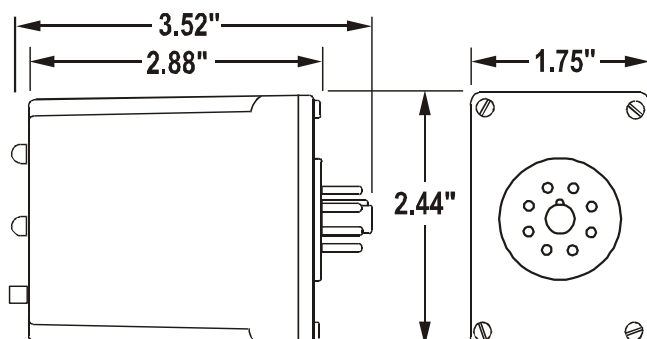


DESCRIPTION

The **Model 4092 Dual Seal Failure Detector** is designed specifically for monitoring the shaft seals of two submersible pumps.

The probes are installed in the seal cavities of each of the pumps. When a seal begins to leak, contaminating fluid enters the seal cavity, lowering the resistance between the probe and the common connection. If the resistance drops below the sensitivity setpoint, the corresponding relay and the LED indicator are activated. The Model 4092 will automatically reset when the fault condition is corrected. The sensitivity is field adjustable.

DIMENSIONS



(dimensions have tolerance of ± 0.06)

SPECIFICATIONS

MODEL	4092-120	4092-240
Supply voltage	120VAC 50/60Hz	240VAC 50/60Hz
Power consumption	1.5W	
Probe voltage	9VDC	
Sensitivity	10K ohm - 25K ohm	
Response time	15ms	
Reset time	15ms	
Output contacts	2 SPST N.O.	
Contact rating	5A @ 250VAC resistive	
Expected relay life	Mechanical: 50 million operations Electrical: 100,000 oper. at rated load	
Operating temperature	-13° to +140° F	
Humidity tolerance	0 to 97% w/o condensation	
Enclosure material	ABS plastic	
Mounting	8-pin socket (*order separately)	
Weight	6 oz.	

* Order 8-pin socket number **51X120**

ORDERING INFORMATION

Order by:	MODEL	VOLTS
Options:	4092	120VAC
		240VAC

Telephone: Main - (918) 438-1220
Sales - (800) 862-2875
Fax: (918) 437-7584

E-mail: sales@time-mark.com
Internet: http://www.time-mark.com



TIME MARK
CORPORATION

11440 East Pine Street
Tulsa, Oklahoma 74116

11/2011

© 2011 TIME MARK CORPORATION

TIME MARK is a division of  **AEMT, Inc.**

MODEL 4092

Dual Seal Failure Detector

READ ALL INSTRUCTIONS BEFORE INSTALLING, OPERATING OR SERVICING THIS DEVICE.
KEEP THIS DATA SHEET FOR FUTURE REFERENCE.

GENERAL SAFETY

POTENTIALLY HAZARDOUS VOLTAGES ARE PRESENT AT THE TERMINALS OF THE MODEL 4092.
ALL ELECTRICAL POWER SHOULD BE REMOVED WHEN CONNECTING OR DISCONNECTING WIRING.
THIS DEVICE SHOULD BE INSTALLED AND SERVICED BY QUALIFIED PERSONNEL.

Installation Instructions

INSTALLATION

Mount the 8-pin socket in a suitable enclosure. A NEMA -1 approved enclosure, designed for socket-mounted relays, is available from Time Mark Corporation.(Model 98A498)

Connect the supply voltage to Terminals 1 and 2 on the socket.

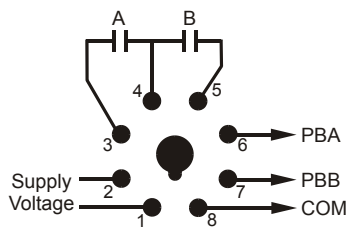
Connect the load control wiring to the appropriate terminals on the socket, refer to the Pin Diagram and Typical Application drawing.

Insert the Model 4092 into the socket and apply power.

Set the SENSITIVITY control as described below.

NOTE: When installing the Model 4092 Failure Detector in areas of high humidity or contamination, it is recommended that the base area and all exposed metal parts of the socket be coated liberally with a good quality silicone grease, such as Dow Corning DC-4 or DC-4X. Insert the unit into the socket and wipe off excess grease around the base. This will prevent the entrance of moisture and other contaminants into the base and socket areas.

PIN DIAGRAM

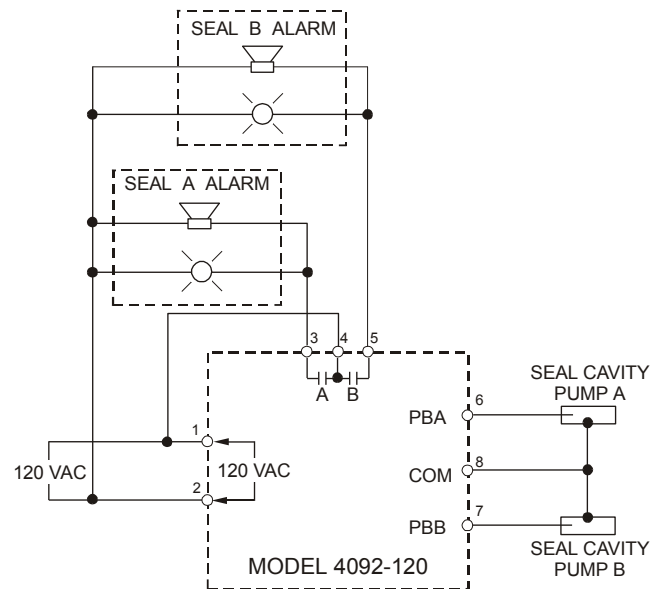


ADJUSTMENT SETTINGS

Set the SENSITIVITY control knob to the maximum clockwise position. Do not use excessive force.

If either LED indicator is illuminated, adjust the control knob counter-clockwise, until both lights are off.

TYPICAL APPLICATION



Shows No Power Applied

TROUBLESHOOTING

Should the Model 4092 Monitor fail to operate properly, check wiring to insure proper connections. Measure the supply voltage. Repeat the SENSITIVITY Control adjustment procedure. If problems persist, contact your local Time Mark Distributor, or the factory, for assistance (Monday-Friday, 8 a.m. to 5 p.m. CST).

WARRANTY

This product is warranted to be free from defects in materials and workmanship, and is covered by our exclusive **5-year Unconditional Warranty**. Should this device fail to operate for any reason, we will repair it for five years from the date of manufacture. For complete warranty details, see the *Terms and Conditions of Sales* page in the front section of the Time Mark catalog or contact Time Mark at 1-800-862-2875.

Telephone: Main - (918) 438-1220
Sales - (800) 862-2875
Fax: (918) 437-7584

E-mail: sales@time-mark.com
Internet: http://www.time-mark.com



11440 East Pine Street
Tulsa, Oklahoma 74116

11/2011
© 2011 TIME MARK CORPORATION

TIME MARK is a division of  AEMT, Inc.