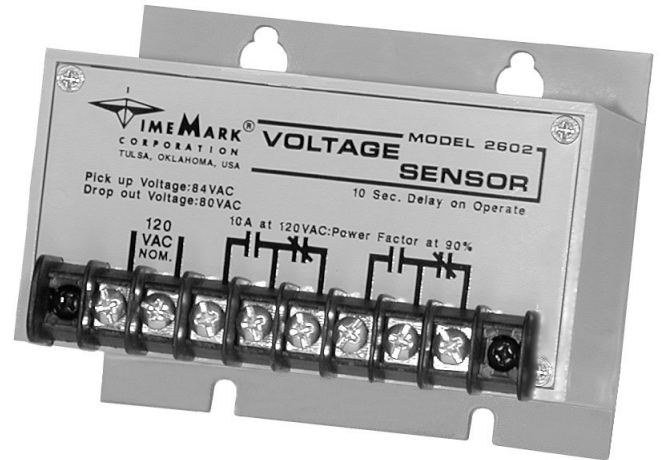


MODEL 2602

Voltage Sensor

- Protects voltage-sensitive equipment
- Reset delay timer
- Automatic reset
- DPDT output relay



DESCRIPTION

The **Model 2602 Voltage Sensor** is a rapid response device for sensing a low voltage condition on 120VAC, 60Hz, single phase power systems. Operating power is drawn from the same line being monitored.

Upon sensing a voltage below 80VAC, the internal relay, which is energized under normal operating conditions, will drop out.

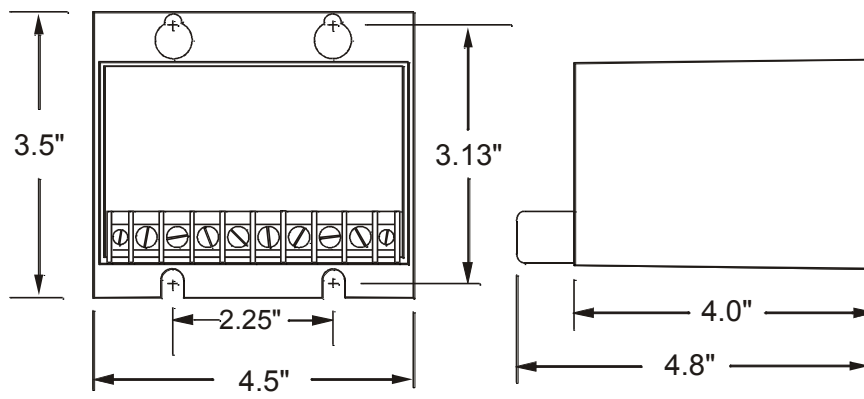
The solid-state sensor will respond in one-half of an AC cycle (8.33ms.), plus the flight time of the relay (20ms. max.). When the voltage rises above 84VAC, an internal 10-second timer begins. When the time delay elapses the relay will automatically re-energize.

There are no field adjustments or calibrations to the device.

SPECIFICATIONS

MODEL	2602
Nominal input voltage	120VAC
Max. input voltage	135VAC
Frequency	60Hz
Power consumption	2 watts max.
Drop-out voltage	80VAC
Pick-up voltage	84VAC
Repeat accuracy	± 1% (fixed conditions)
Repeat accuracy	± 2% (0°-140° F)
Output	DPDT 10A at 240VAC resistive
Expected relay life	Mechanical: 10 million operations Electrical: 100,000 oper at rated load
Reset	Automatic
Response time	28.3ms max.
Reset time	10 seconds
Operating temperature	- 20° to +140° F
Humidity tolerance	0-97% without condensation
Case material	ABS plastic
Weight	9.4 oz.

DIMENSIONS



Telephone: Main (918) 438-1220
Sales (800) 862-2875
Fax: (918) 437-7584

E-mail: sales@time-mark.com
Internet: http://www.time-mark.com



11440 East Pine Street
Tulsa, Oklahoma 74116

11/2011
© 2011 TIME MARK CORPORATION

TIME MARK is a division of  AEMT, Inc.

MODEL 2602

Voltage Sensor

READ ALL INSTRUCTIONS BEFORE INSTALLING, OPERATING OR SERVICING THIS DEVICE.
KEEP THIS DATA SHEET FOR FUTURE REFERENCE.

GENERAL SAFETY

POTENTIALLY HAZARDOUS VOLTAGES ARE PRESENT AT THE TERMINALS OF THE MODEL 2602.
ALL ELECTRICAL POWER SHOULD BE REMOVED WHEN CONNECTING OR DISCONNECTING WIRING.
THIS DEVICE SHOULD BE INSTALLED AND SERVICED BY QUALIFIED PERSONNEL.

Installation Instructions

INSTALLATION

Connect the control wiring to the terminals with the contact markings (refer to the diagram on the unit).

Apply power.

ADJUSTMENT

No calibration or adjustments needed for this device.

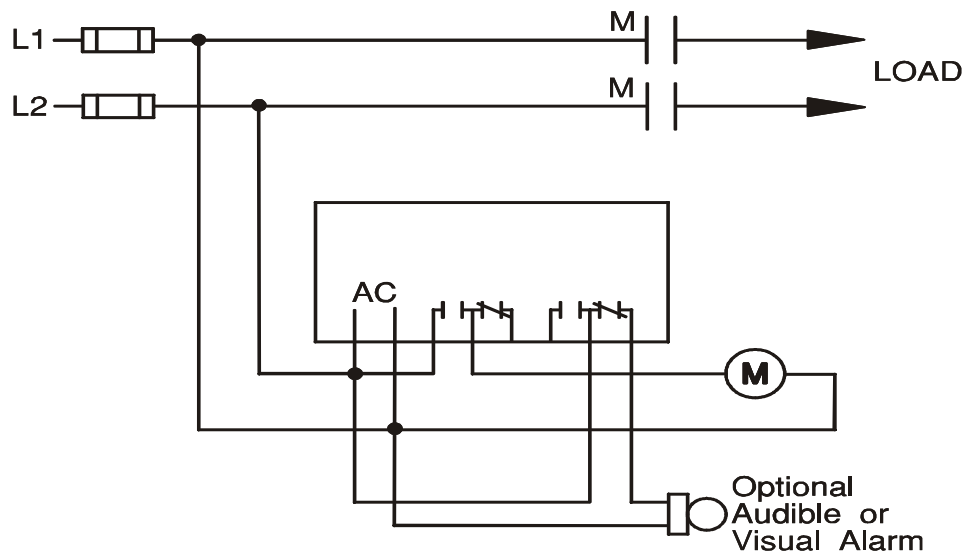
TROUBLESHOOTING

Should the Model 2602 Voltage Sensor fail to operate, check all connections. Verify that power is present, and check all fuses. Should problems persist, contact the factory at 800-862-2875 for assistance.

WARRANTY

This product is warranted to be free from defects in materials and workmanship for one year. Should this device fail to operate, we will repair it for one year from the date of manufacture. For complete warranty details, see the *Terms and Conditions of Sales* page in the front section of the Time Mark catalog or contact Time Mark at 1-800-862-2875.

TYPICAL APPLICATION



Shows No Power Applied

Telephone: Main (918) 438-1220
Sales (800) 862-2875
Fax: (918) 437-7584

E-mail: sales@time-mark.com
Internet: http://www.time-mark.com



11440 East Pine Street
Tulsa, Oklahoma 74116
11/2011
© 2011 TIME MARK CORPORATION

TIME MARK is a division of  AEMT, Inc.